









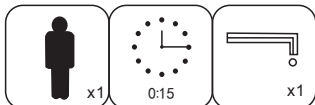


LIVING SPACES

A	ML-2105MB-A		x1
B	ML-2105MB-B		x1
C	ML-2105MB-C		x1
D	ML-2105MB-D		x1
E	ML-2105MB-E		x5
F	ML-2105MB-F	 M8x16mm	x2
G	ML-2105MB-G	 M8x20mm	x2
H	ML-2105MB-H		x1



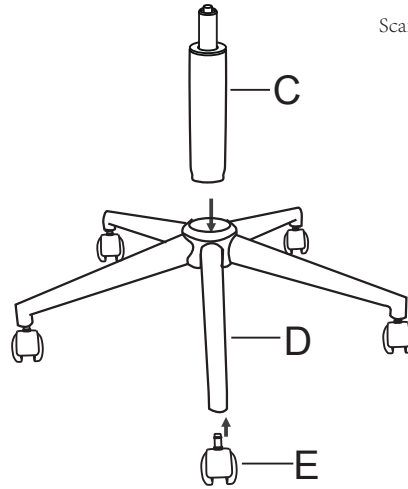
ML-2105MB / 223564,223566
MOBY LOW BACK OFFICE CHAIR



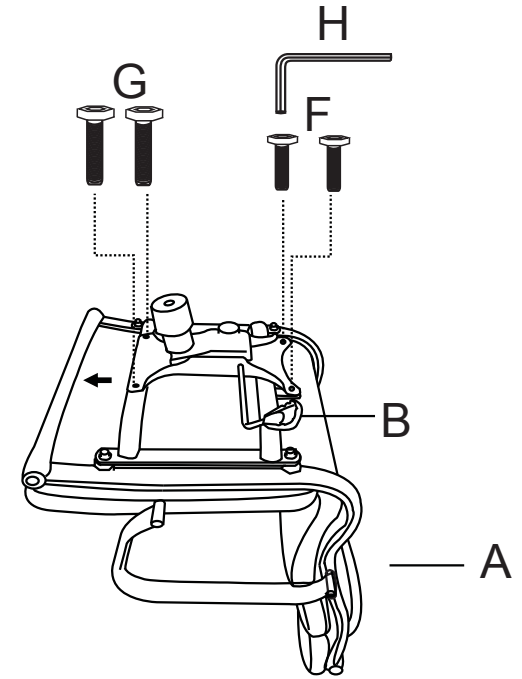
1



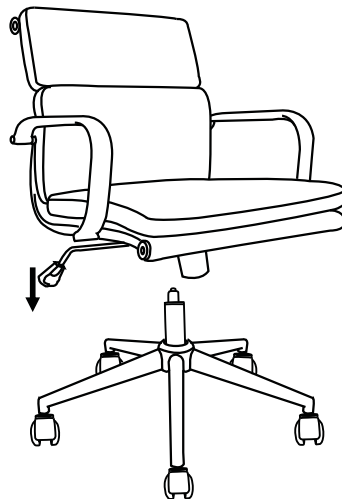
Scan QR code to view assembly video



2



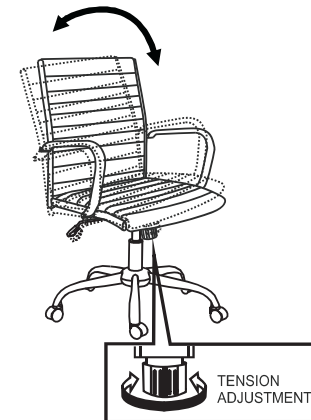
3



4



5



While handle is pulled outward, tilt mechanism is unlocked and rocking motion is possible. To adjust force required during rocking:

- Turn the knob clockwise to make rocking easier.
- Turn the knob counterclockwise to make rocking more difficult.
- Adjust according to your weight or as desired.