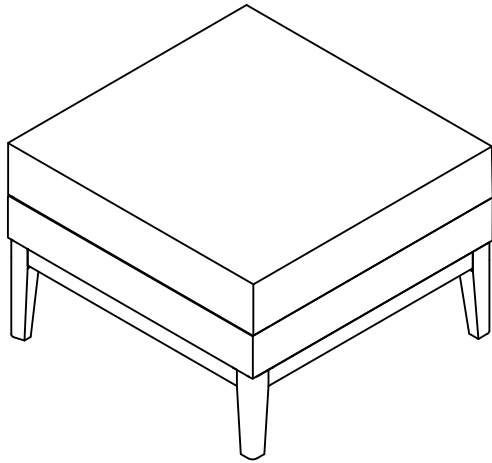




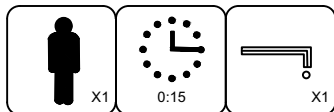
LIVING SPACES

CREW OUTDOOR OTTOMAN

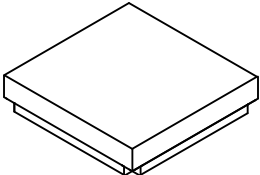

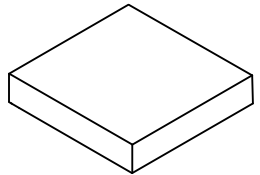




267865 - 282604

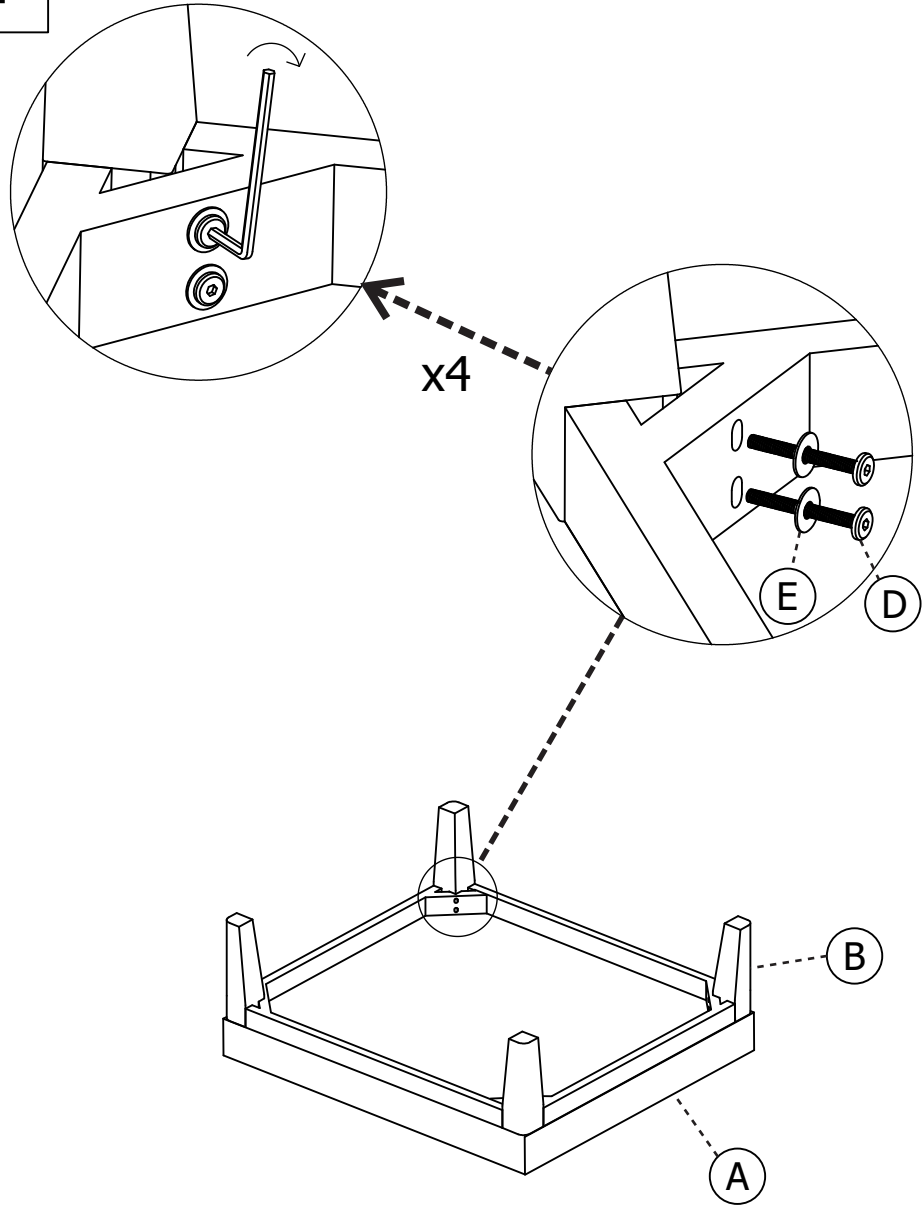
CREW OUTDOOR OTTOMAN



PART LIST

A		x1
B		x4
C		x1
D	 M6x50	x8
E	 M6	x8

1



2

