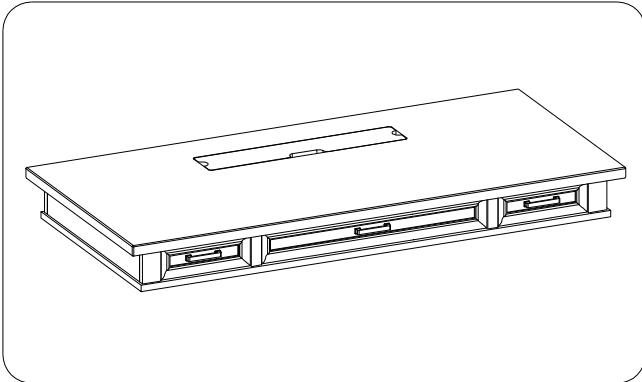




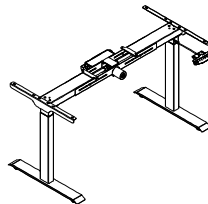
ITEM NO: I248-360T 60" Adj. Lift Desk Top (for IUAB-301-1)

Thank you for purchasing this quality product. Be sure to check all packing material carefully for small parts that may come loose inside the carton during shipment.



TOOLS REQUIRED (NOT PROVIDED)

PHILLIPS SCREWDRIVER



Lift Mechanism

Assembly instructions for the Lift Mechanism are in the Lift Mechanism package. Follow the below instructions when attaching desk top to the Lift Mechanism.

HARDWARE LIST:

No.	Description	Sketch	Quantity
A	Bolt Ø5/16" x 3/4"		8 PCS
B	Lock Washer Ø5/16"		8 PCS
C	Flat Washer Ø5/16" x 3/4"		8 PCS
D	Allen Wrench 5mm		1 PC
E	Plastic Wire Clip		6 PCS
F	Wood Screw #7 x 5/8"		10 PCS

COMPONENTS LIST:

No.	Description	Sketch	Quantity
1	Desk Top		1 Set

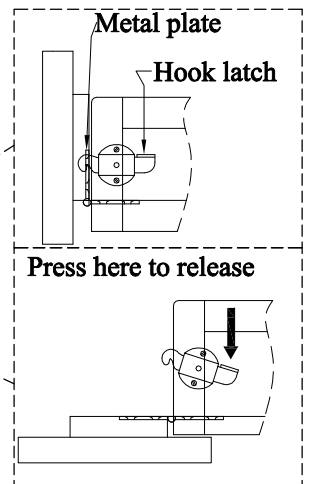
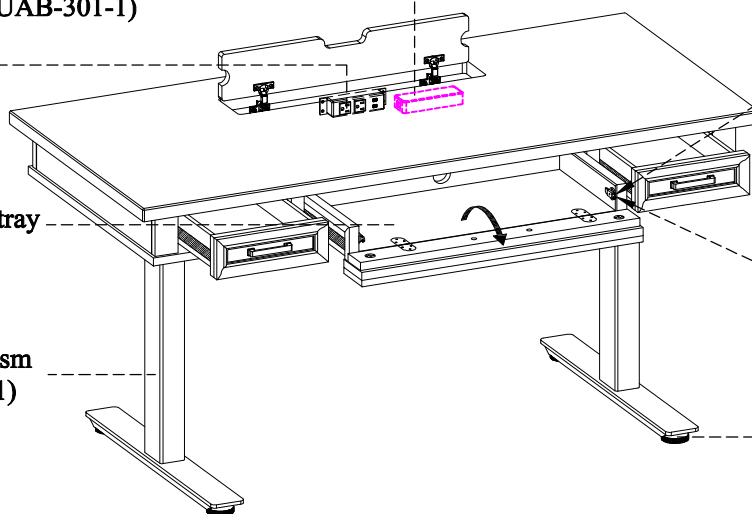
FUNCTIONALITY INSTRUCTION

Power Unit in the Storage Box on lift mechanism (IUAB-301-1)

2 AC outlet / 2 USB power pack

Flip down keyboard tray

Lift mechanism (IUAB-301-1)



Press here to release

Leveler on Base

Adjust the leveler when necessary

BEFORE USING THIS PRODUCT PLEASE READ, UNDERSTAND, AND FOLLOW THESE INSTRUCTIONS. Save these instructions for future reference.

FOR INDOOR USE ONLY

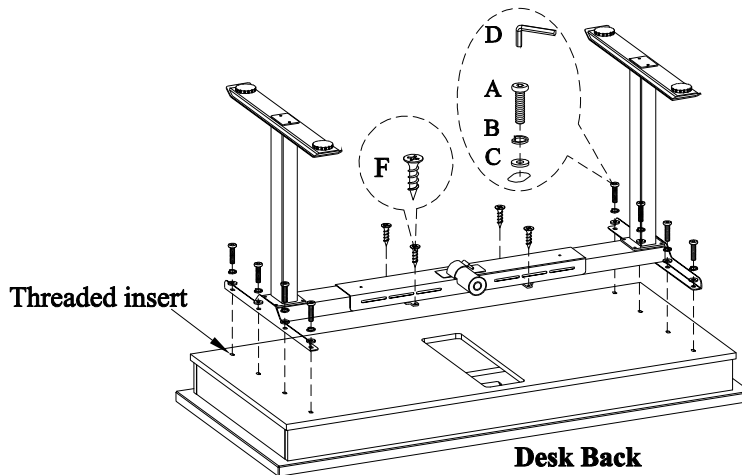


ITEM NO: I248-360T 60" Adj. Lift Desk Top (for IUAB-301-1)

STEP 1: Put the desk top face down on a soft surface.

STEP 2: Place Lift Mechanism IUAB-301-1 on desk top and adjust to align with threaded inserts. Follow Step 3 from the IUAB-301-1 assembly instructions for adjusting width of Lift Mechanism.

STEP 3: Secure Lift Mechanism IUAB-301-1 to desk top by using 8 bolts(A), 4 wood screws (F), 8 lock washers(B) and 8 flat washers(C). Then use an allen wrench to tighten all the bolts.



STEP 4: Tighten bolts that were loosened in Step 3 from the IUAB-301-1 assembly instructions.

STEP 5: Attach Lift Mechanism Control Unit ("7" on the component list for lift desk mechanism) to the desired position with screws ("A" on the hardware bag for lift desk mechanism).

STEP 6: Clip the wire into the plastic wire clip, Attach the plastic wire clips(E) to the right position with screws(F).

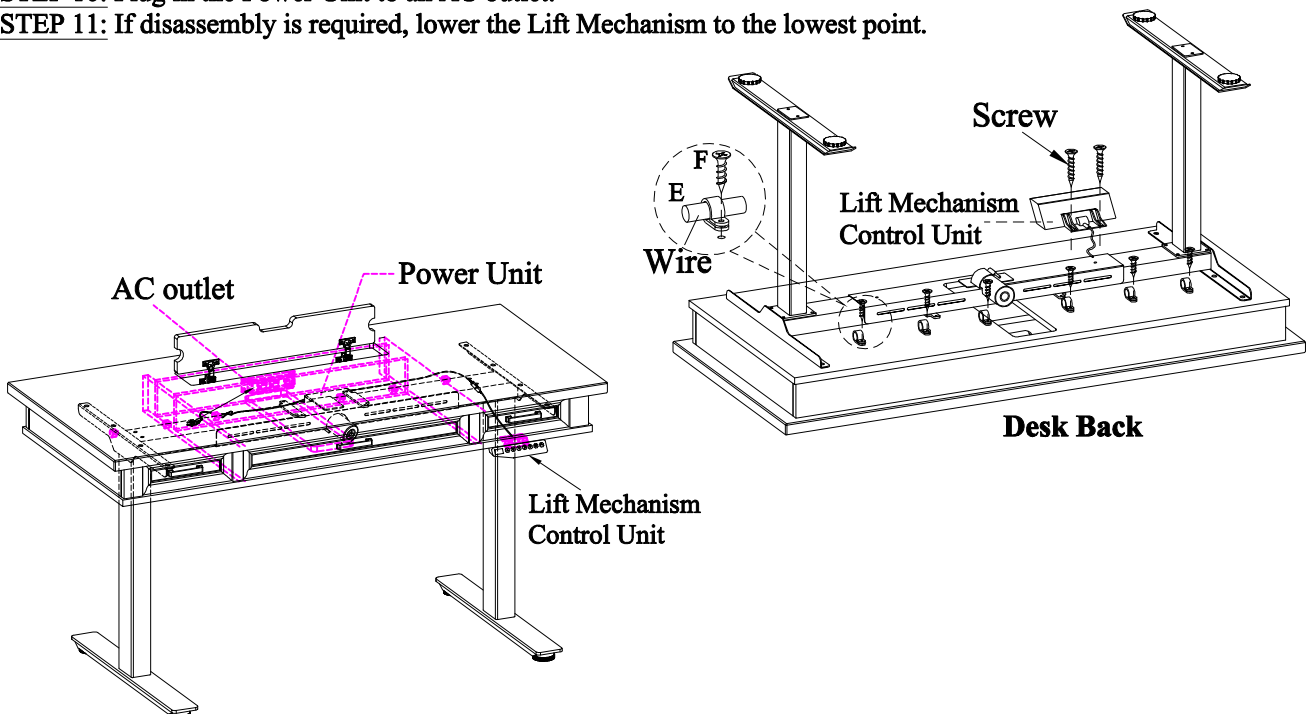
STEP 7: Turn the assembled desk to the upright position.

STEP 8: Connect the appropriate wire clips leading from the motor to the Lift Mechanism Control Unit.

STEP 9: Follow Step 6 from the IUAB-301-1 assembly instructions.

STEP 10: Plug in the Power Unit to an AC outlet.

STEP 11: If disassembly is required, lower the Lift Mechanism to the lowest point.



Note: Refer to Lift Mechanism assembly instructions for Control Unit operation.