



LIVING SPACES

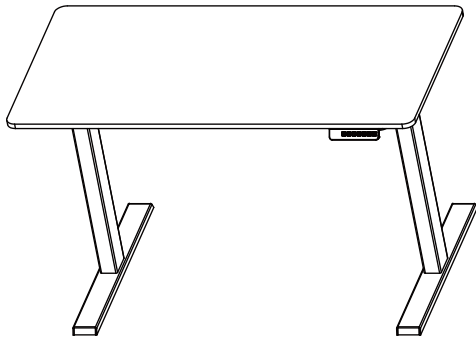
Box 1 - SKU# 301802,301826

Part#	Image	QTY
1		1
2		1

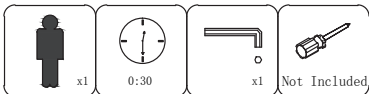
Box 2 - SKU# 301801,301825

Part#	Image	QTY
3		1
4		1
5		2
A	M6x10	8
B	M6x16	8
C		4
D	5x5	1
E	2x2	1

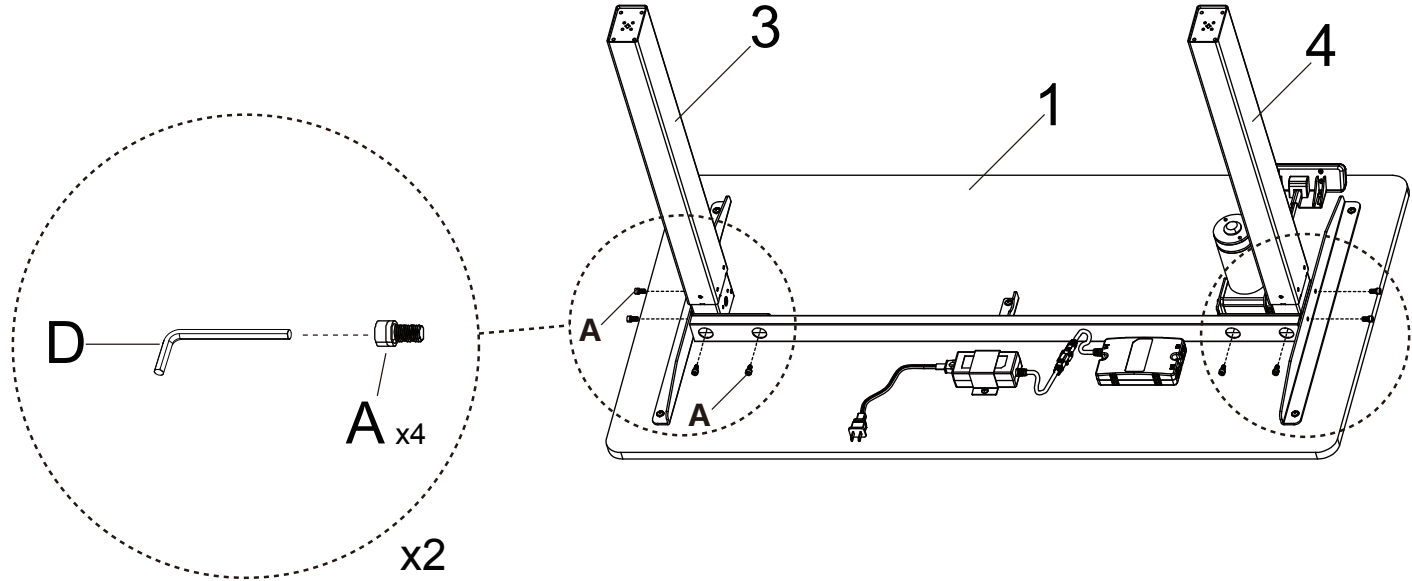
PROSPERO SIT-STAND
ADJUSTABLE DESK



SSD-S01/301803, 301827

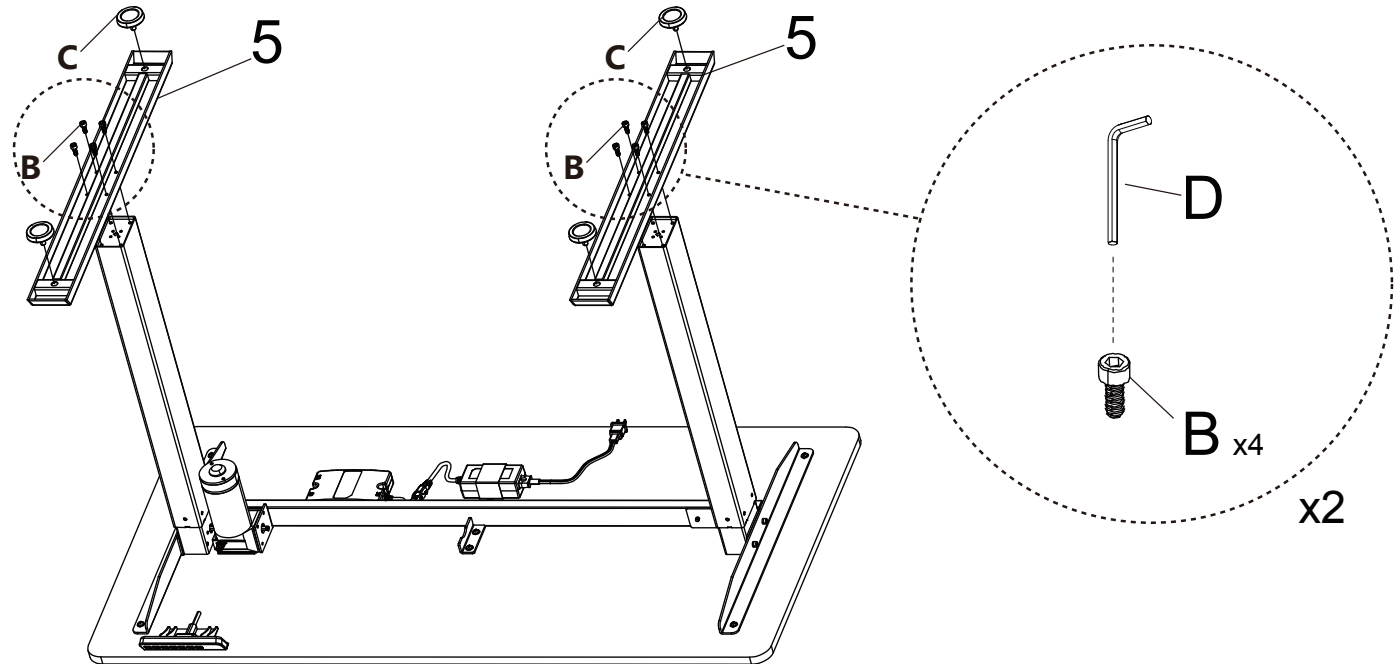


1

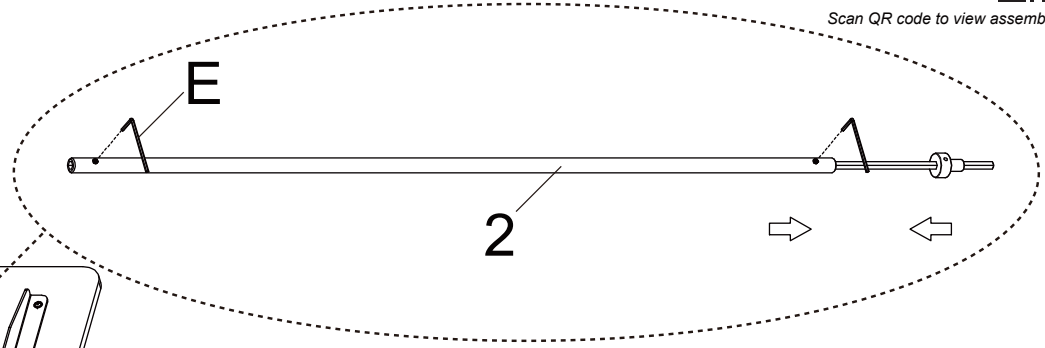
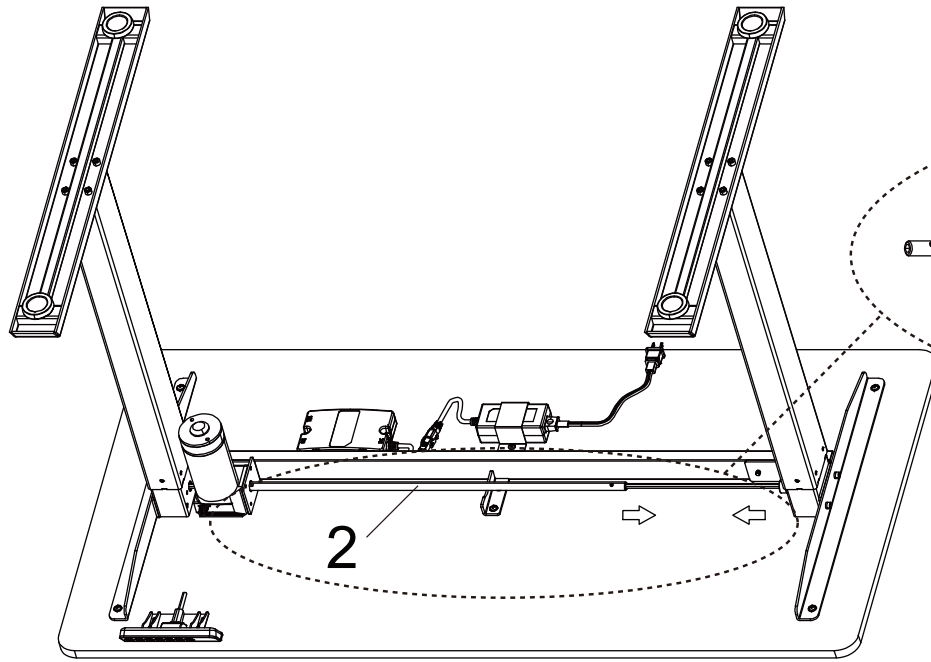


Scan QR code to view assembly video

2

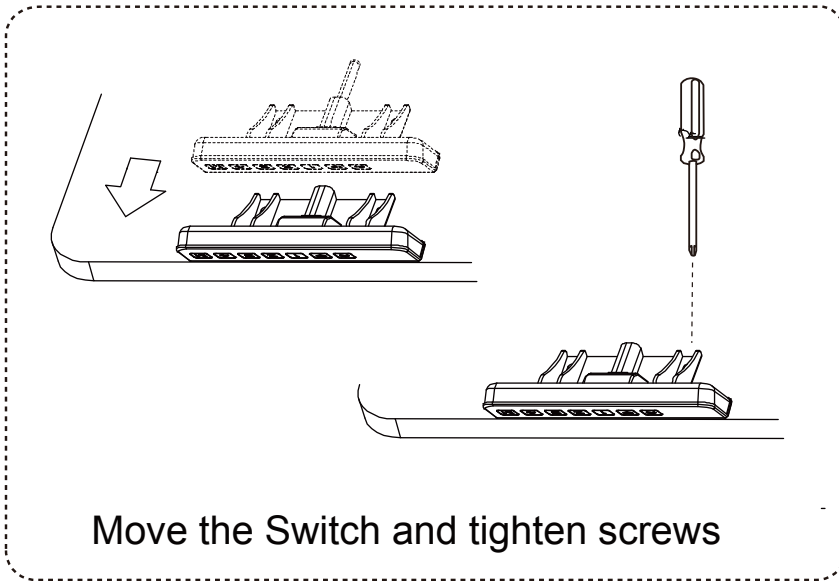


3

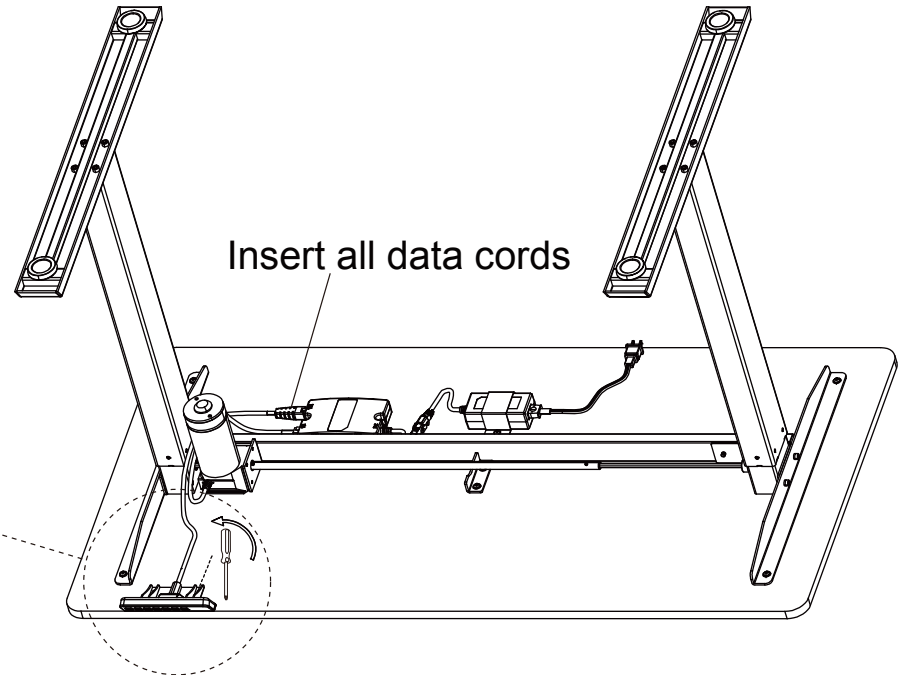


Scan QR code to view assembly video

4



Move the Switch and tighten screws





Scan QR code to view assembly video

Height Range	27.5in-46.5in (without desktop)
Base Width	41.75in
Travel Speed	0.75in per second(no load)
Weight Capacity	176LBS
Duty cycle	10%. Max. 2 mins on, 18 mins off
	Soft start/stop
	Adjustable leveling studs
	4 Memory presets

Caution / Information



Make sure no obstacles are in the desk's path. Make sure the desktop is not touching any walls. Make sure all cords are appropriate length to accommodate the change in height.

⚠ WARNING
Pinch Point
Keep hands and fingers clear

Keep children away from electric height-adjustable desks, control units and handsets. There is a risk of injury and electric shock

Keep all electrical components away from liquids.

Do not sit or stand on the desk frame.
Do not crawl or lie under the desk frame.

Do not place any objects taller than 20" underneath the desk.

Do not open any of the components ---the Legs, Control Box, or Switch.
There is a danger of electric shock.

This product is designed with a duty cycle of 10%. (2 min. on, 18 min. off)

In the event of a power outage or if the power cord is unplugged, a manual reset may be necessary--see Switch Instruction.

Use/Liability

This height adjustable desk has electric motors and is designed for use in dry work areas only.

The desk height is adjustable so that it can be positioned at the most ergonomically suitable height.

Any other use is at user's risk.

Under no circumstances does the manufacturer accept warranty claims or liability claims for damage caused from improper use or handling of the desk frame.

Switch Instruction

Plug the Power Cord into a 110V-240V outlet.



Make sure no obstacles are in the desk's path. Make sure the desktop is not touching any walls. Make sure all cords are appropriate length to accommodate the change in height.

Important: You must Reset the desk prior to use.

Reset Procedure: Press and hold the DOWN button on the Switch until the desk reaches its lowest height. Release the DOWN button. Press and hold the DOWN button again until the LED display reads "rES" or about 10 seconds on non-LED handset models. Release the DOWN button. Press and hold the DOWN button again until the desk lowers a little bit more, slightly rises and stops. Release the DOWN button. Your desk is now ready to use.

To program up to four presets (on some models): Use the up/down buttons to find a desired height, then press "M" ("S" on some models) followed by a number 1-4.

Conversion of metric and English units:

Press the "M" for 3 seconds until the display shows "---" .

Press the "M" again.

When the screen flashes, press the "M" again.

After that, the screen displays "1" , press the "DOWN" .

When the screen display "S1" , and then press " M " .

Caution: Once a preset button is pushed, the desk will move to the programmed height(see caution box above).

Troubleshooting

If your desk is not functioning properly it may need to be reset. Unplug the power cord for 20 seconds. Plug the power cord back in and follow the RESET procedure outlined in Switch Instruction.

If your desk has a handset with an LED readout and it displays "rES" (reset), perform the reset procedure outlined in Switch Instruction.

If the LED readout displays an error message ("E01" -- "E60") confirm that all wired connections are secure(legs to cables, cables to control box). Then perform the reset procedure outlined in Switch Instruction.

If the error message persists after the reset procedure, contact your seller.

If the height between the legs exceeds 1.5 inches, stop the reset procedure&contact your seller.

If the handset displays "HOT" , let the base cool down for 18 minutes.