

LIVING SPACES

ASSEMBLY INSTRUCTIONS

ITEM 305-S888-532-533-401

Full Panel Bed

Thank you for purchasing this quality product. Be sure to check all packing material carefully for small hardware which may have come loose inside the carton during shipment. Identify and count all hardware and compare with the hardware list below.

When placing furniture on non-carpeted flooring, HMI recommends the use of floor protection such as an area rug or furniture pads. Area rugs and padding not included with purchase.

PARTS LIST

NO.	Description	Sketch	Q.ty
1	Headboard panel		1
2	Headboard Legs (Left & Right)		2
3	Footboard Panel		1
4	Side Rail		2
5	Slats		5
6	Slat Support Leg		5

HARDWARE LIST

NO.	Description	Sketch	Q.ty
A	Allen Bolt Ø5/16x 1-3/4"		6
B	Spring Washer Ø5/16"x Ø13		6
C	Flat Washer Ø5/16"x Ø19		6
D	Allen Wrench (4mm)		1
E	Wood Screw M4x35mm		10

TOOL REQUIRED (NOT PROVIDED)

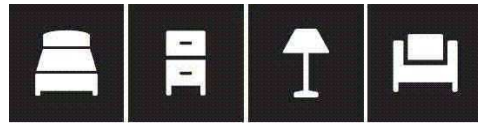
PHILLIPS SCREW DRIVER



Item: 305-S888-532-533-401
Description: Full Panel Bed
Without Storage Footboard



Item: 305-S888-532-536-644-SLATR 46
Description: Full Panel Bed With
Storage Footboard



LIVING SPACES

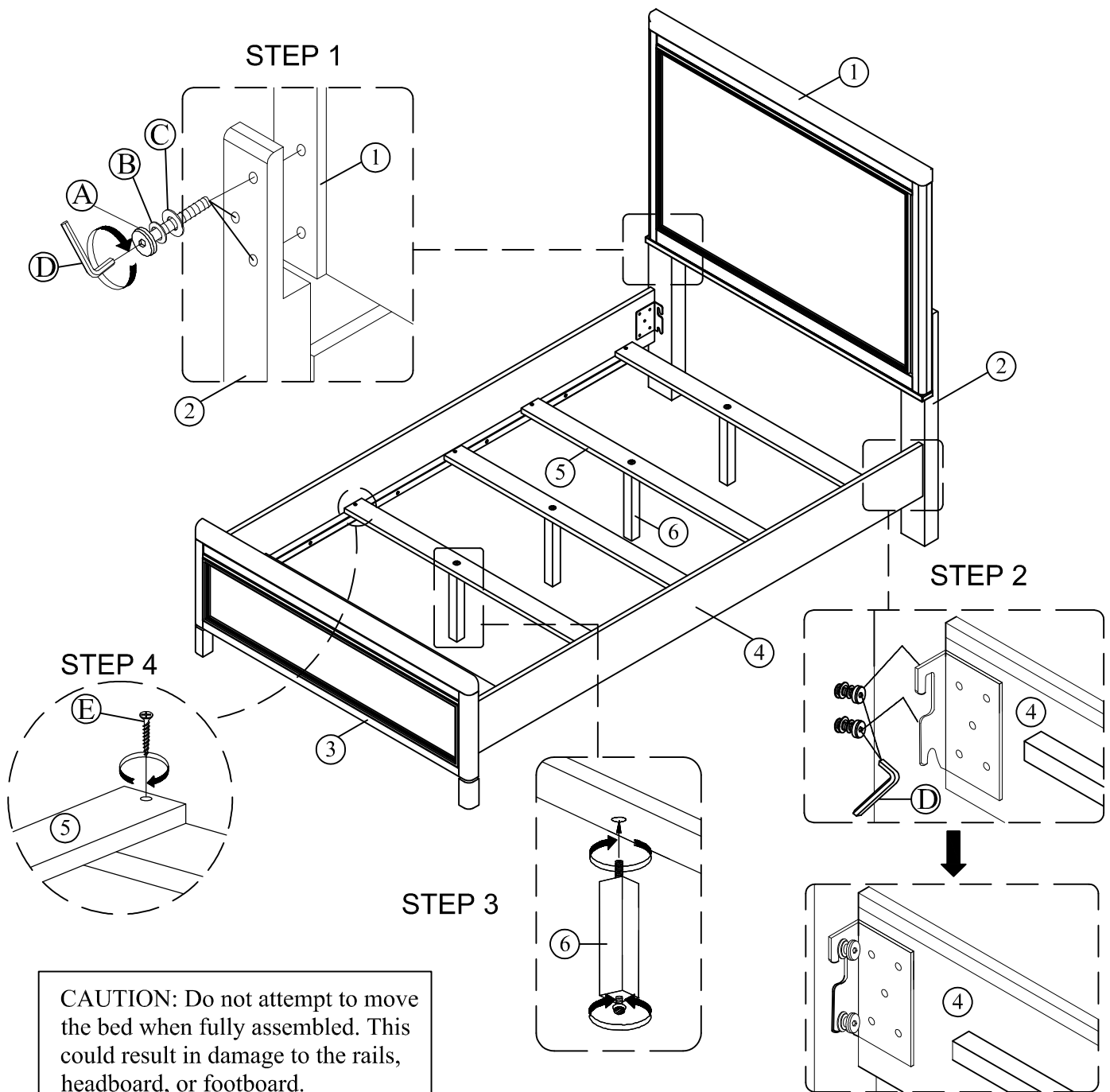
ASSEMBLY INSTRUCTIONS

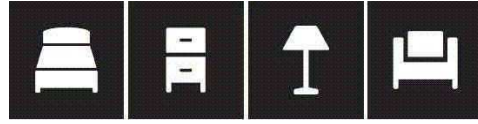
ITEM 305-S888-532-533-401

Full Panel Bed Without Storage Footboard

Thank you for purchasing this quality product. Be sure to check all packing material carefully for small hardware which may have come loose inside the carton during shipment. Identify and count all hardware and compare with the hardware list below.

When placing furniture on non-carpeted flooring, HMI recommends the use of floor protection such as an area rug or furniture pads. Area rugs and padding not included with purchase.





LIVING SPACES

ASSEMBLY INSTRUCTIONS

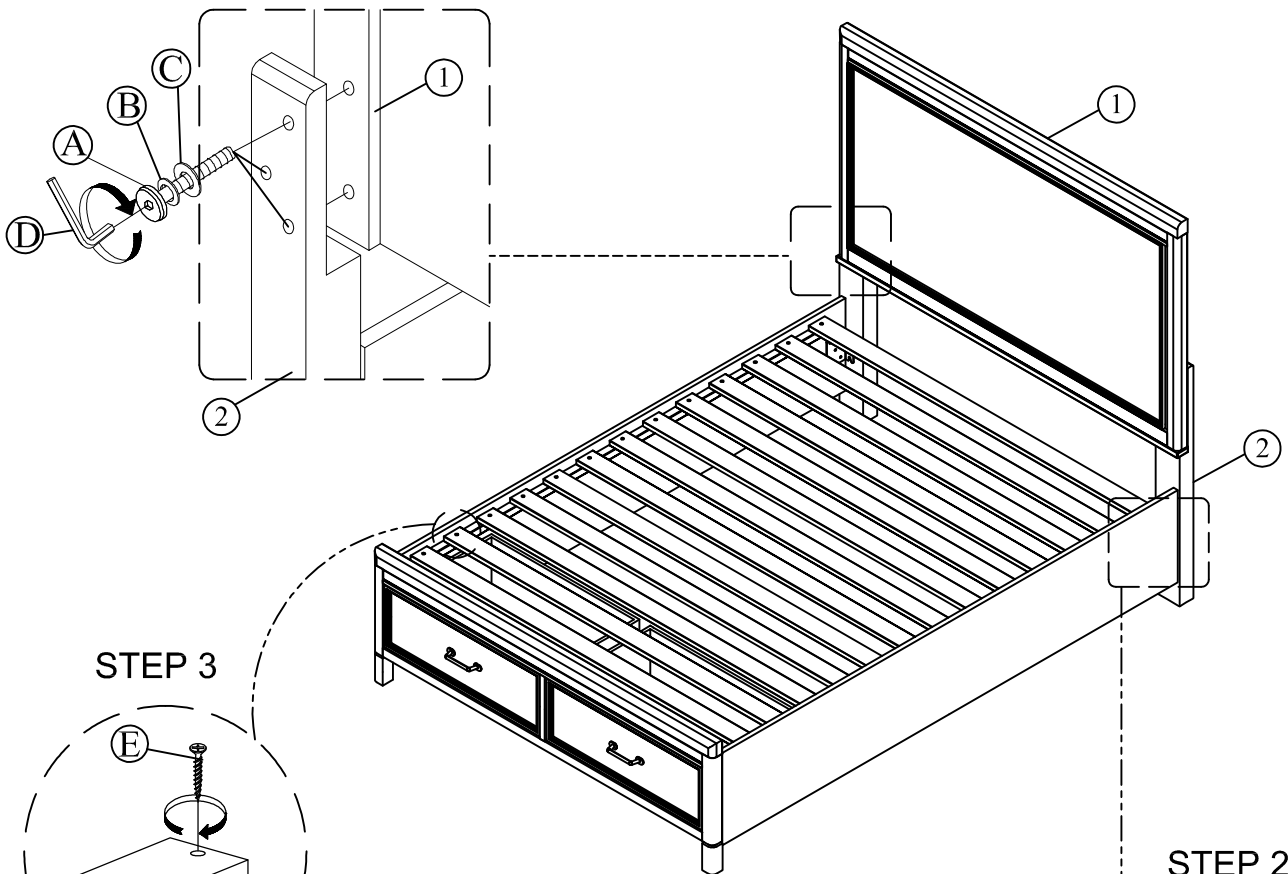
ITEM 305-S888-532-536-644-SLATR 46 Full Panel Bed With Storage Footboard

Thank you for purchasing this quality product. Be sure to check all packing material carefully for small hardware which may have come loose inside the carton during shipment. Identify and count all hardware and compare with the hardware list below.

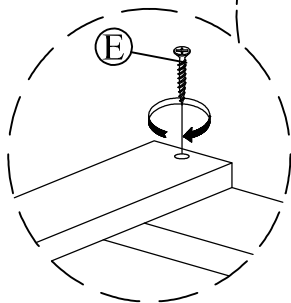
When placing furniture on non-carpeted flooring, HMI recommends the use of floor protection such as an area rug or furniture pads. Area rugs and padding not included with purchase.

Option 2: 305-S888-532 with 536-644-SLATR 46

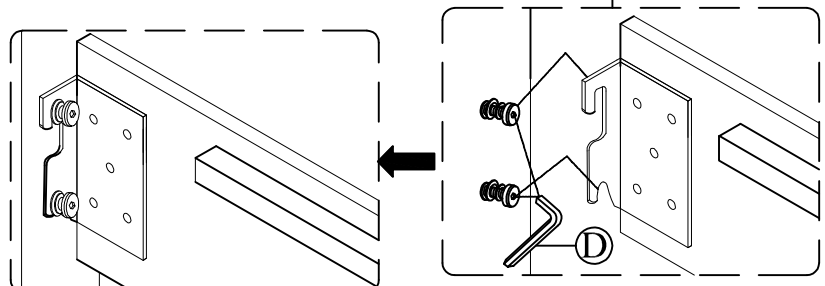
STEP 1



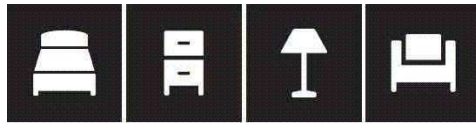
STEP 3



STEP 2



CAUTION: Do not attempt to move the bed when fully assembled. This could result in damage to the rails, headboard, or footboard.

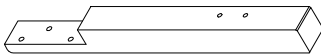


LIVING SPACES

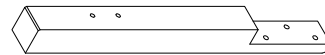
REPLACEMENT PARTS

ITEM 305-S888-532-533-401

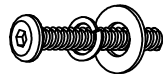
Full Panel Bed



x1 RS888-532-LEGL
Left Leg



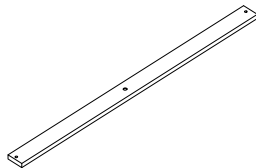
x1 RS888-532-LEGR
Right Leg



x1 RS888-532-HWKIT
Hardware kit



x10 RS888-531-SCREW
Screw



x5 RS808-533- SLAT
Slat



x5 RS888-531- SULEG
Slat Support Leg