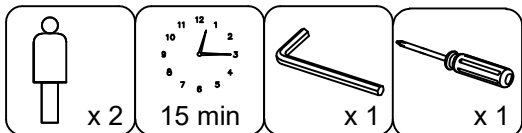
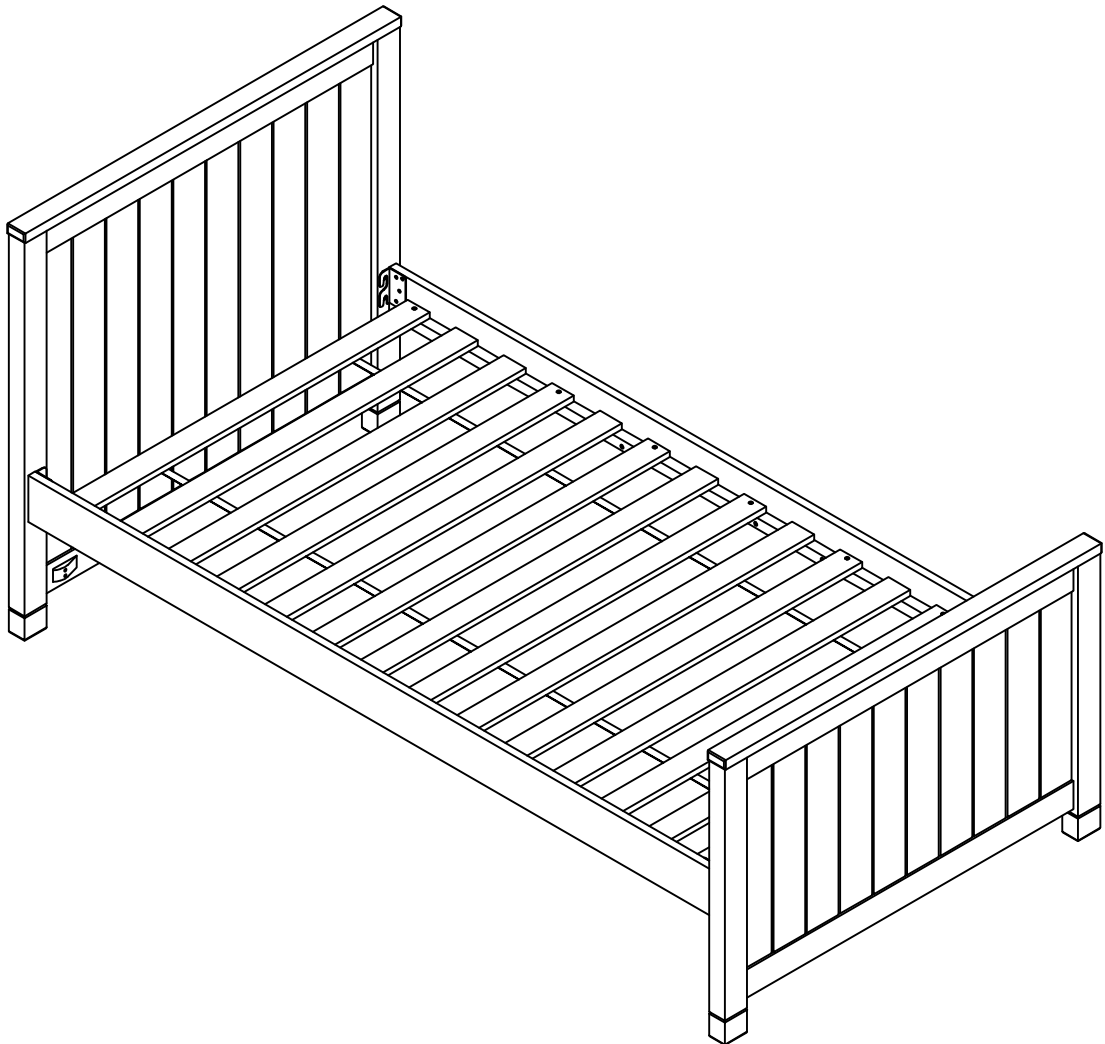




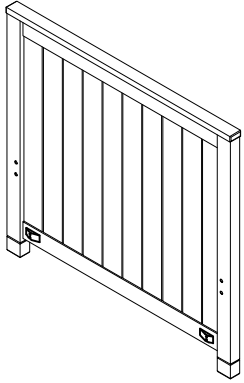
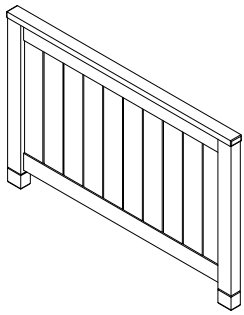
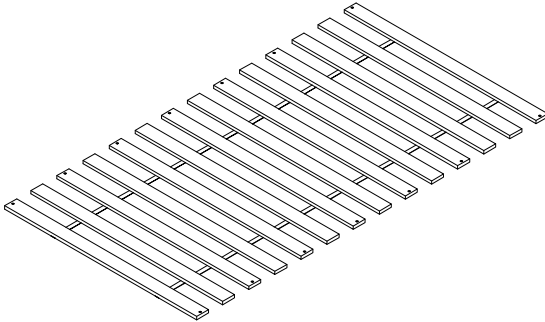
# ASSEMBLY INSTRUCTIONS

## LUCA TWIN PANEL BED

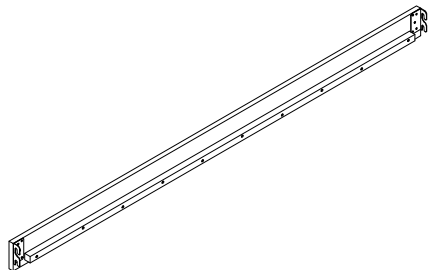
ITEM NO: Y2103W-336/337    SKU: 314659/314660  
          Y2103B-336/337            314571/314572  
          Y2103G-336/337            314615/314616






**BOX 1- TW HEADBOARD/FOOTBOARD/SLATS PANEL BED**

PART	SKU#	IMAGE	DESCRIPTION	QTY
A	1994T-A-W:(White) 1994T-A-B:(Blue) 1994T-A-G:(Grey)		Headboard	1
B	1994T-B-W: (White) 1994T-B-B: (Blue) 1994T-B-G: (Grey)		Footboard	1
D	1994T-D		Slats	1

**BOX 2- TW RAILS PANEL BED**

PART	SKU#	IMAGE	DESCRIPTION	QTY
C	1994T-C-W: (White) 1994T-C-B: (Blue) 1994T-C-G: (Grey)		Rails	2

## Hardware List of Luca Twin Panel Bed

Part	SKU#	IMAGE	DESCRIPTION	QTY
①	1994T-1(8)		Bolts M8*20mm	8
②	1994T-2(14)		Screws 8#*30mm	14
③	1994T-3(1)		Allen key 60*22*4mm	1

***Note: Screwdriver will be prepared by yourself.***

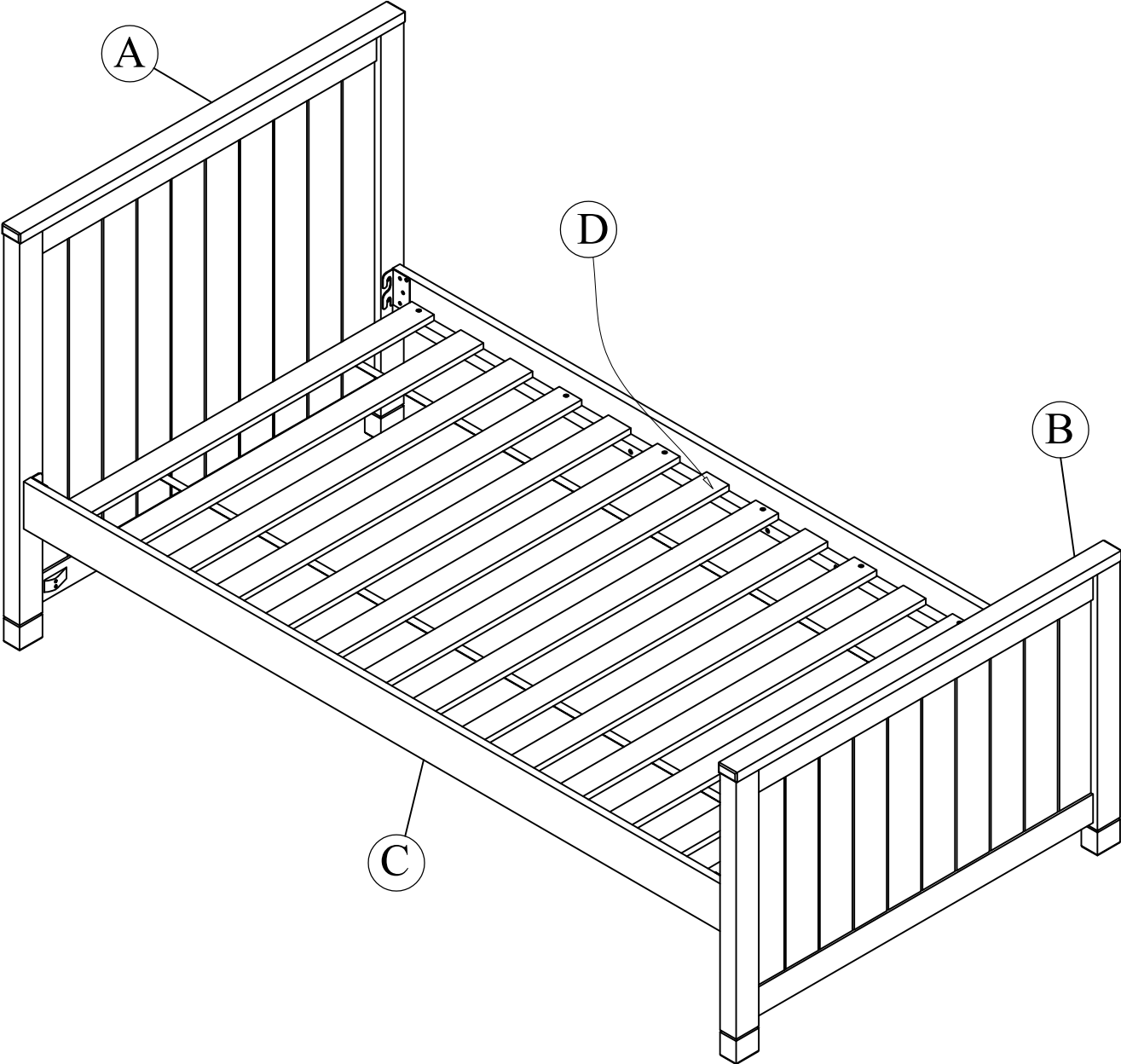
**THE HARDWARE IS LOCATED IN THE PACKING ITEM**

**NOTE: MUST TIGHTEN SCREWS PERIODIACLLY. WITH USE SCREW MAY ENCOME LOOSE CHECK TIGHTNESS OF ALL SCREWS EVERY 6-8 WEEKS.**

### CLEANING INSTRUCTIONS:

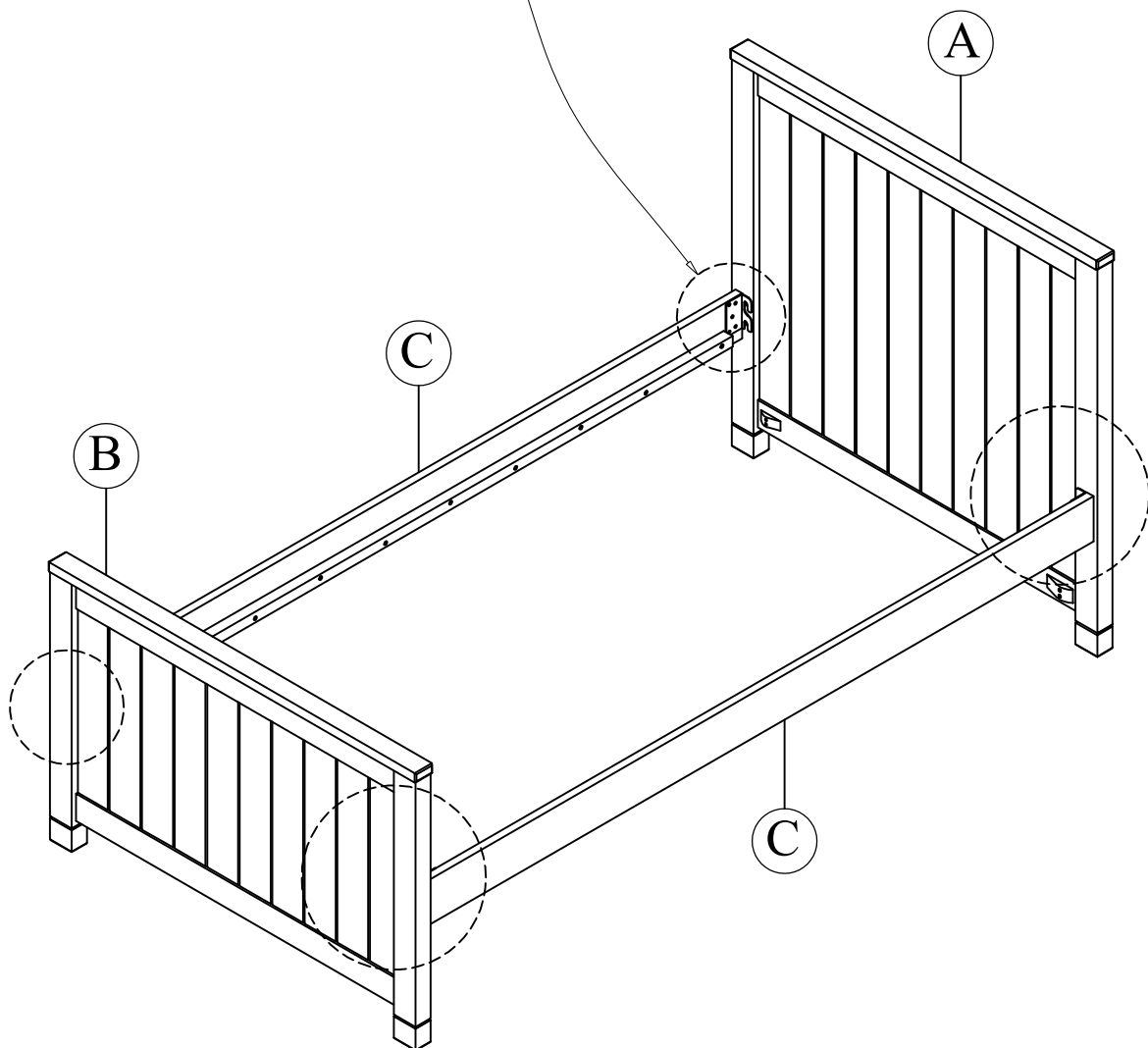
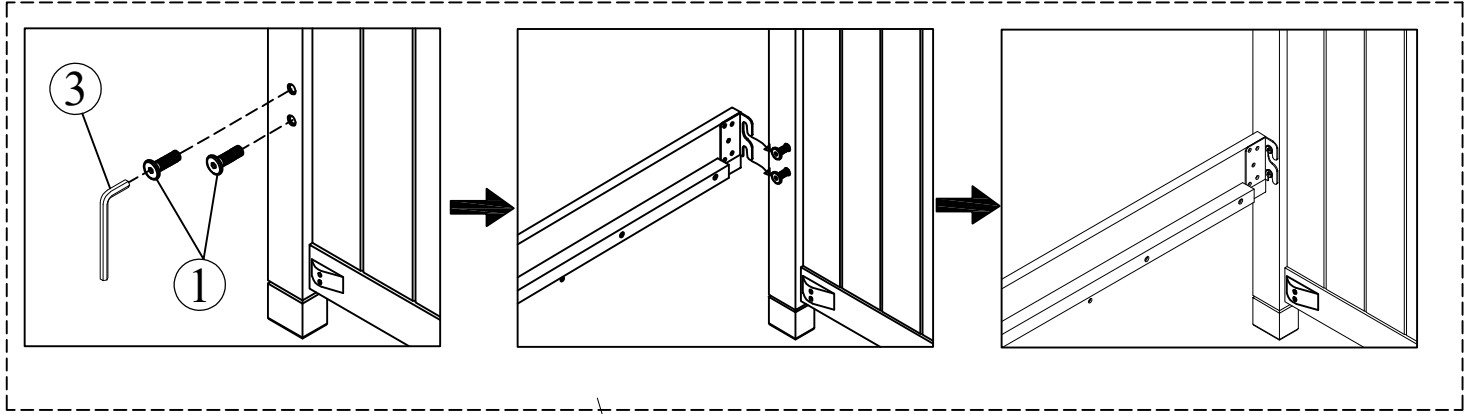
After assembly, clean and polish the completed parts if necessary with soft cloth and industrial recognized furniture polish.

Detail view



**STEP 1:**

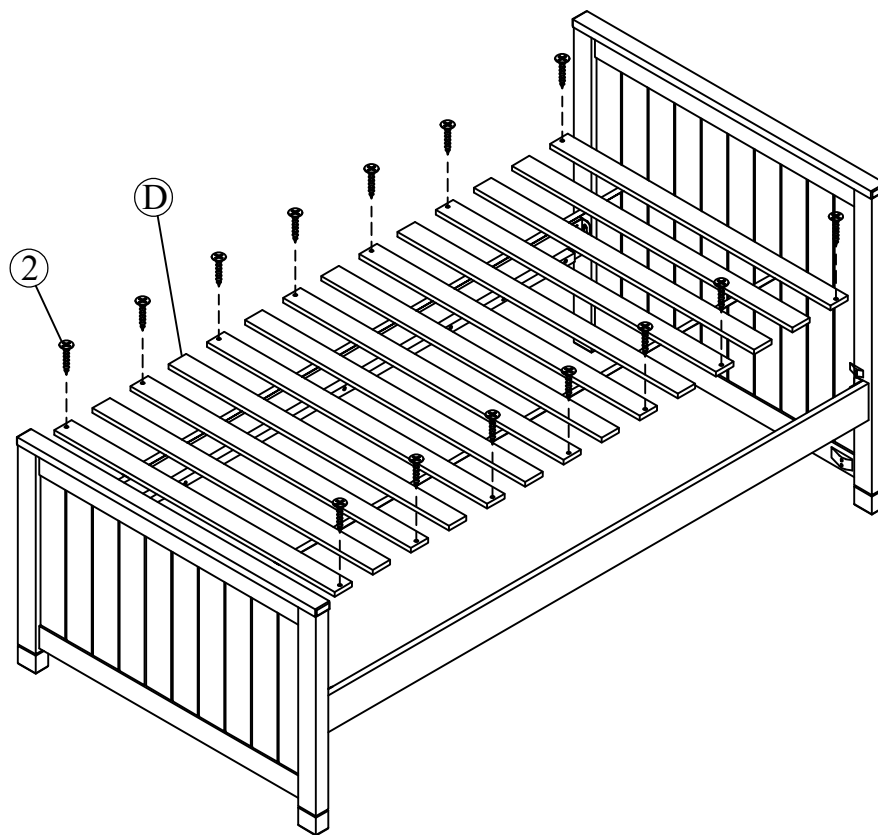
- Attaching Bolt (1) to Pre-holes on Headboard (A), Footboard (B). Please be noted: **"should not tighten bolts"**
  - Connecting the hook on Rail (C) to Bolt (1) and fasten again.
- ⚠ Pay attention to rail orientation.**



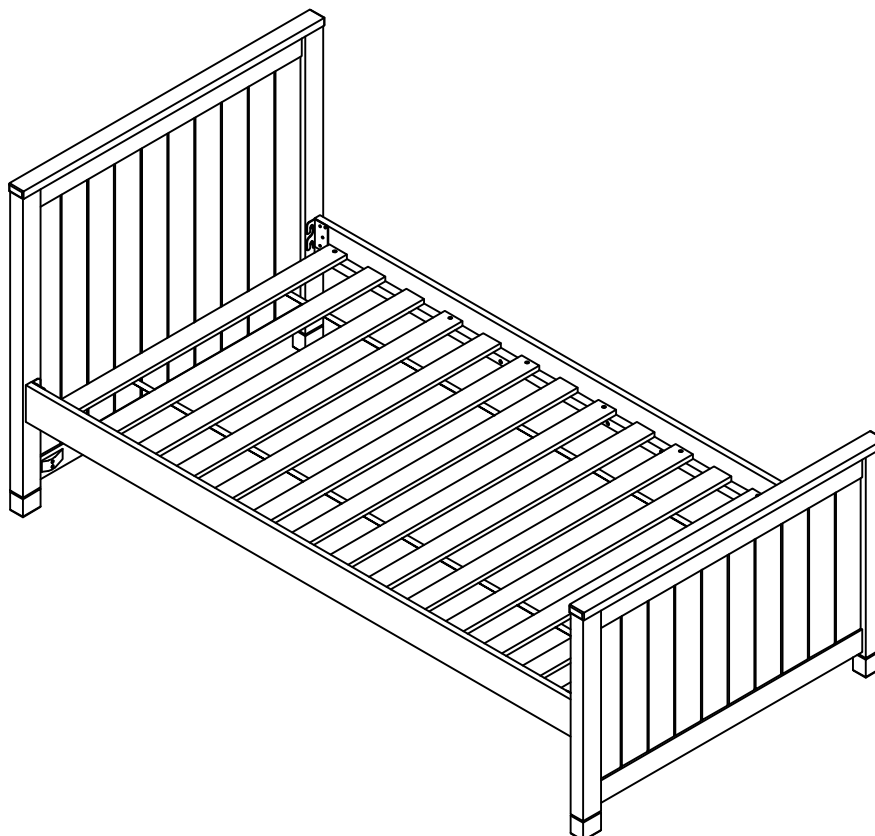
1=8 Pcs

**STEP 2:**

Please fasten slats (D) by screw (2) into corresponding holes.



2=14 Pcs



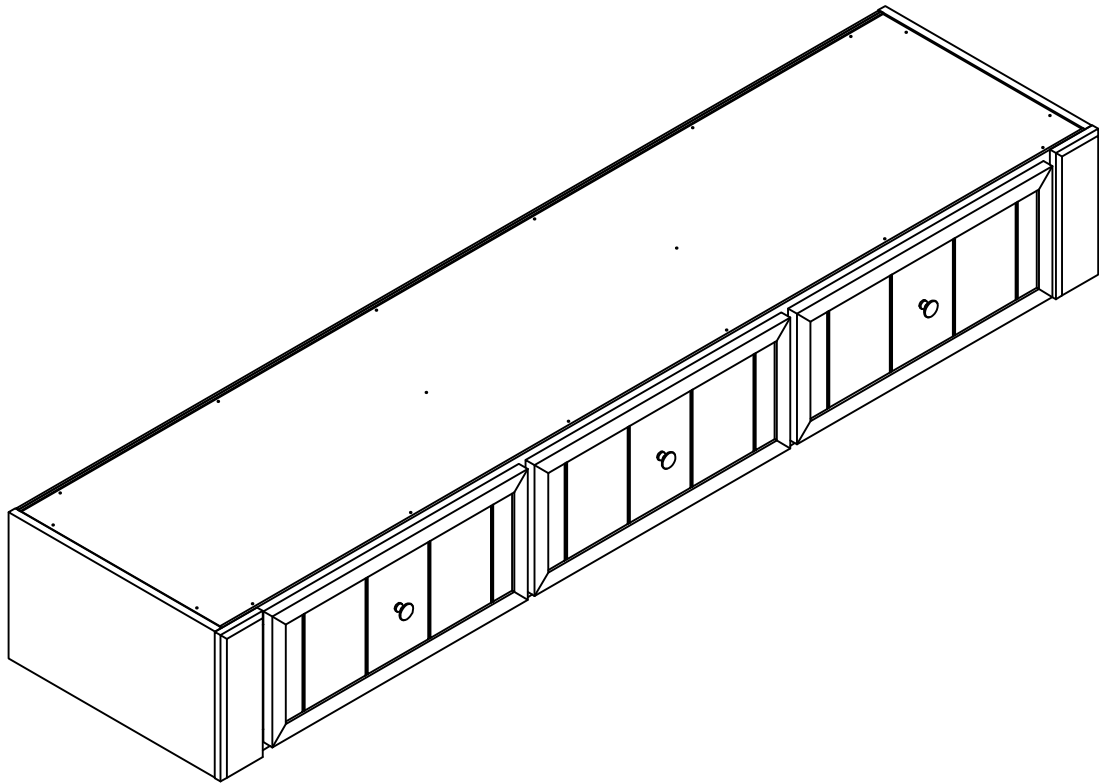
*That's it ! You've finished  
assembling your item. Thank you!*



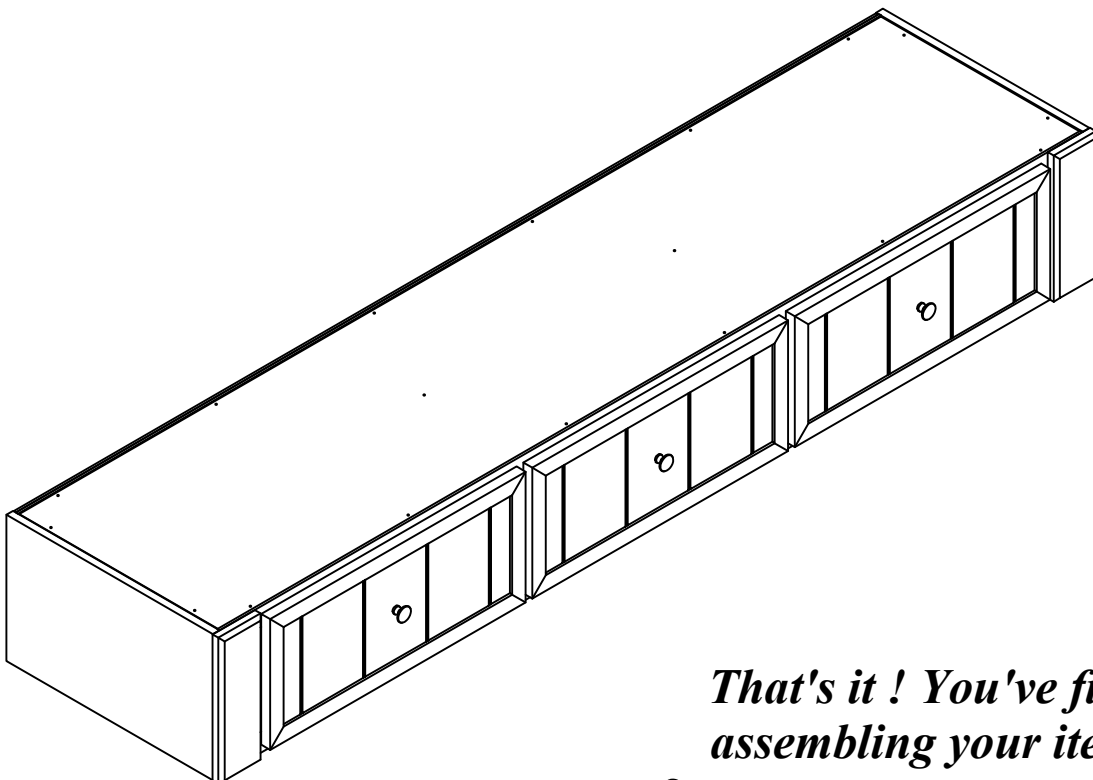
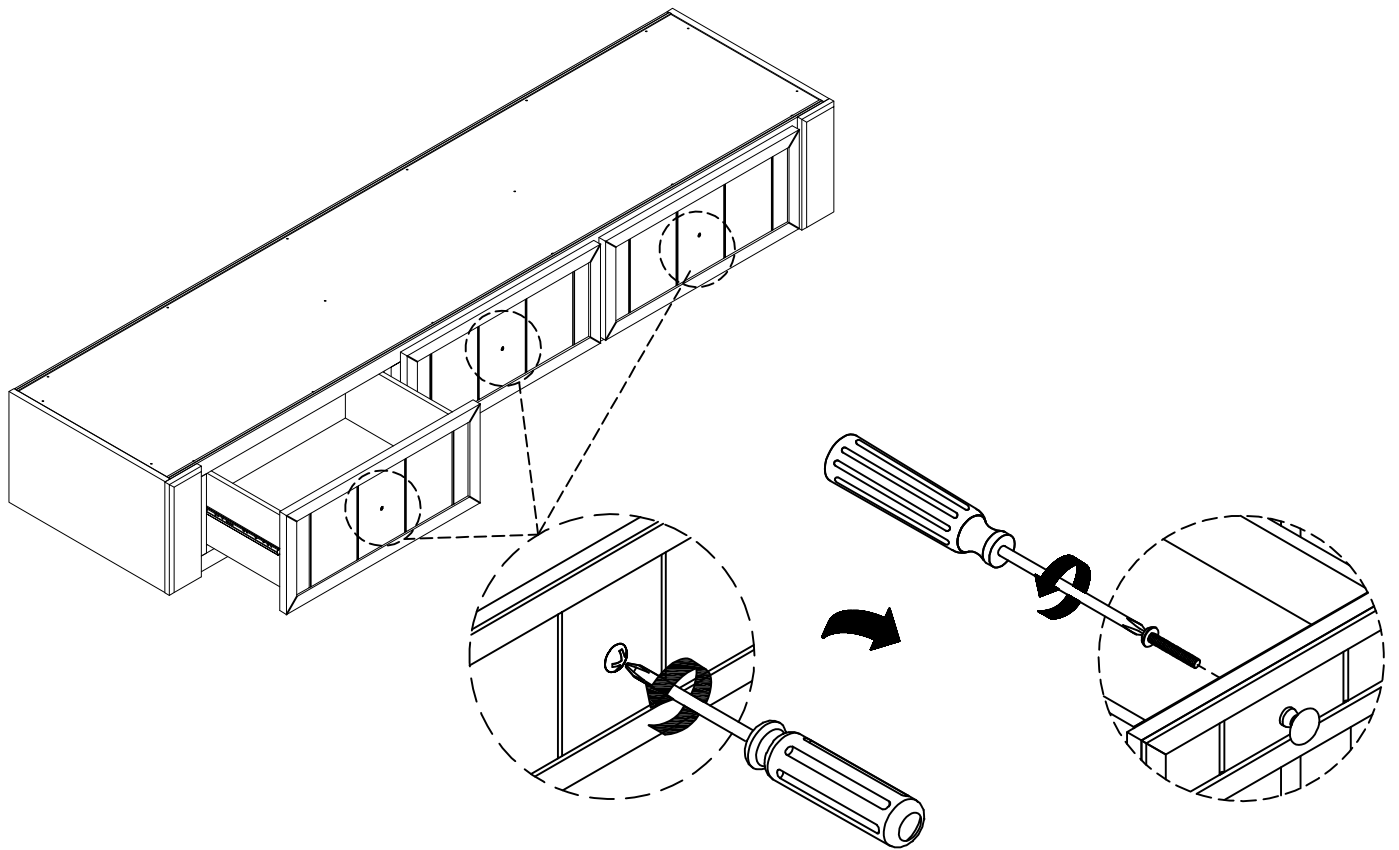
# ASSEMBLY INSTRUCTIONS

## LUCA 3 DRAWER PANEL/BUNK/DAYBED UNDERBED STORAGE

ITEM NO: Y2103W-347      SKU: 314670  
                  Y2103B-347                    314582  
                  Y2103G-347                    314626



Revert the knob as instruction



*That's it ! You've finished  
assembling your item. Thank you!*