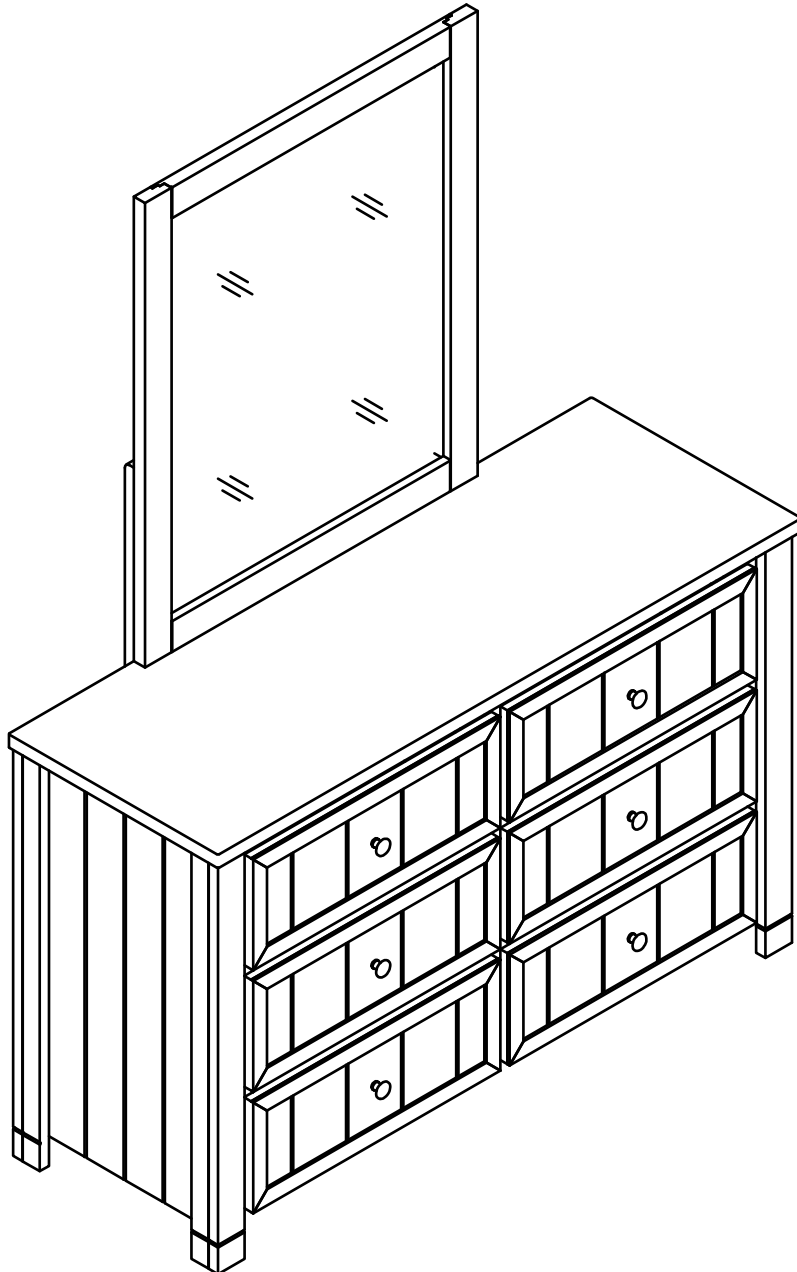
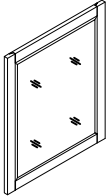
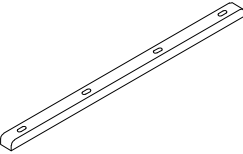


LUCA MIRROR

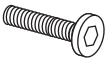

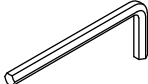
ITEM NO : Y2103W-322 SKU: 314656
Y2103B-322 314568
Y2103G-322 314612



Assembly icons: 2 people (X 2), 10 min, 1 Allen key (X 1)

PART	SKU#	IMAGE	DESCRIPTION	QTY
Ⓐ	7026-A-W:White 7026-A-B:Blue 7026-A-G:Grey		Mirror	1
Ⓑ	7026-B-W:White 7026-B-B:Blue 7026-B-G:Grey		Support	2

Hardware List of Luca Mirror

PART	SKU#	IMAGER	DESCRIPTION	QTY
①	7026-1(8)		Bolt M6*40mm	8
②	7026-2(8)		Washer Φ 22mm	8
③	7026-1(1)		Allen key 60*22*4mm	1

THE HARDWARE IS LOCATED IN THE PACKING ITEM

NOTE: MUST TIGHTEN SCREWS PERIODIACLLY. WITH USE SCREW MAY ENCOME LOOSE CHECK TIGHTNESS OF ALL SCREWS EVERY 6-8 WEEKS.

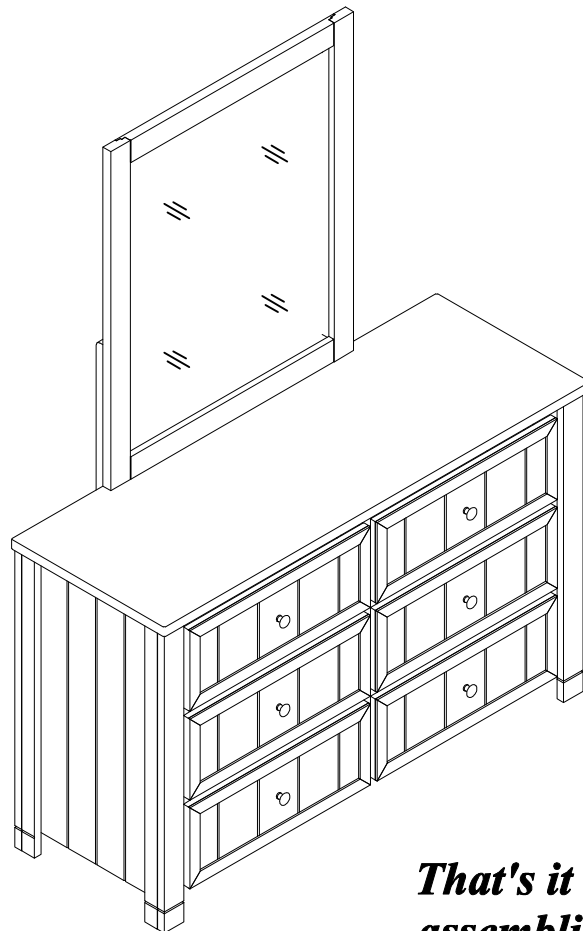
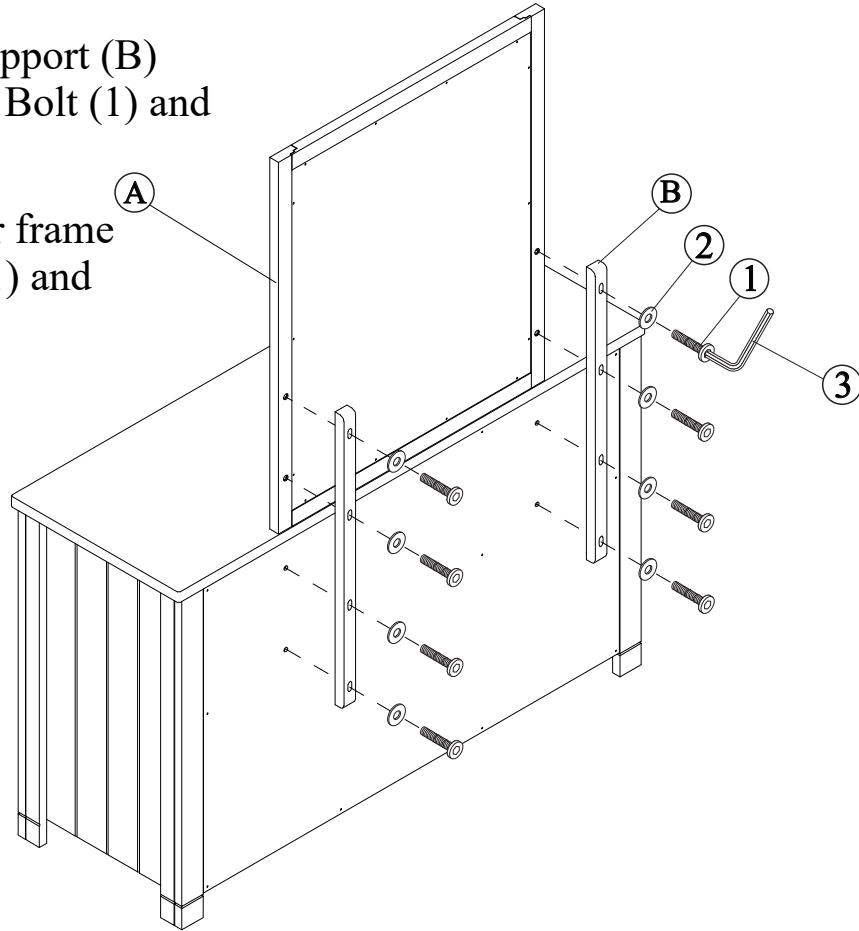
CLEANING INSTRUCTIONS:

After assembly, clean and polish the completed parts if necessary with soft cloth and industrial recognized furniture polish.

STEP 1:

* Attaching the Support (B) to Mirror (A) by Bolt (1) and washer (2).

* Assemble Mirror frame to Dresser by Bolt (1) and washer (2).



That's it ! You've finished assembling your item. Thank you!