



LIVING SPACES

# ASSEMBLY INSTRUCTIONS

## LUCA PANEL/BUNK/DAYBED TRUNDLE

ITEM NO: Y2103W-348

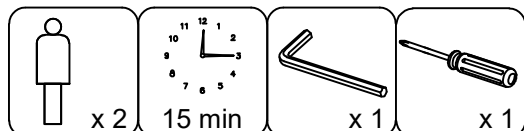
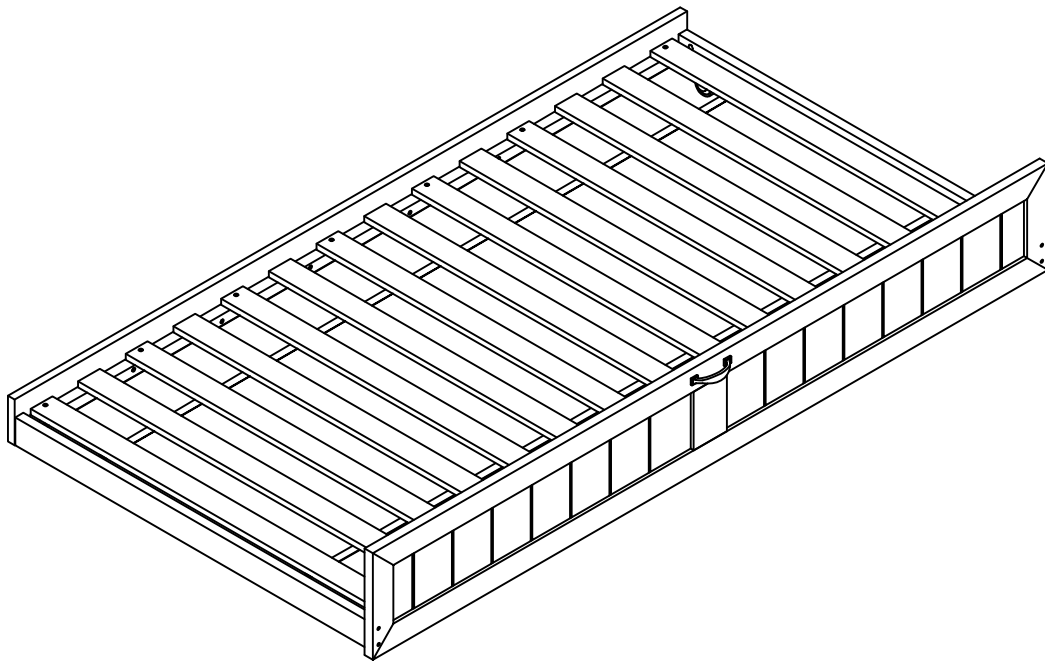
SKU: 314671

Y2103B-348

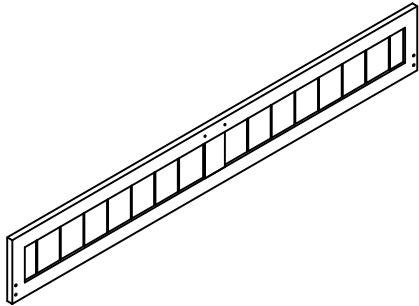
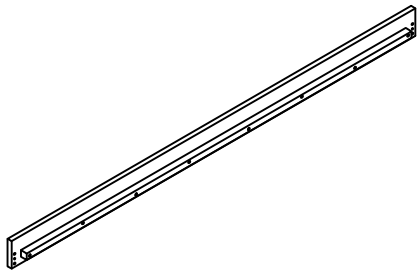
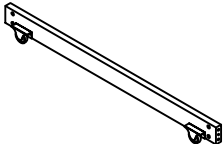
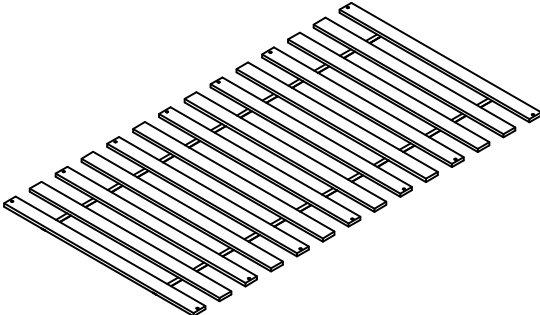
314583

Y2103G-348



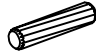

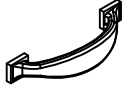

314627



## Part list

PART	SKU#	IMAGE	DESCRIPTION	QTY
<p style="text-align: center;">(A)</p>	<p>1996-A-W: (White) 1996-A-B: (Blue) 1996-A-G: (Grey)</p>		<p style="text-align: center;">Front</p>	<p style="text-align: center;">1</p>
<p style="text-align: center;">(B)</p>	<p>1996-B-W: (White) 1996-B-B: (Blue) 1996-B-G: (Grey)</p>		<p style="text-align: center;">Back rail</p>	<p style="text-align: center;">1</p>
<p style="text-align: center;">(C)</p>	<p>1996-C-W: (White) 1996-C-B: (Blue) 1996-C-G: (Grey)</p>		<p style="text-align: center;">Side rails</p>	<p style="text-align: center;">2</p>
<p style="text-align: center;">(D)</p>	<p style="text-align: center;">1996-D</p>		<p style="text-align: center;">Slats</p>	<p style="text-align: center;">1</p>

## Hardware List of Luca Trundle

Part	SKU#	IMAGE	DESCRIPTION	QTY
①	1996-1(8)		Bolt and nut M8*70mm	8
②	1996-2(2)		Bolts M4*20mm	2
③	1996-3(4)		Dowel Ø8*40mm	4
④	1996-4(14)		Screws 8#*30mm	14
⑤	1996-5(1)		Handle	1
⑥	1996-6(1)		Allen key 60*22*4mm	1

***Note: Screwdriver will be prepared by yourself.***

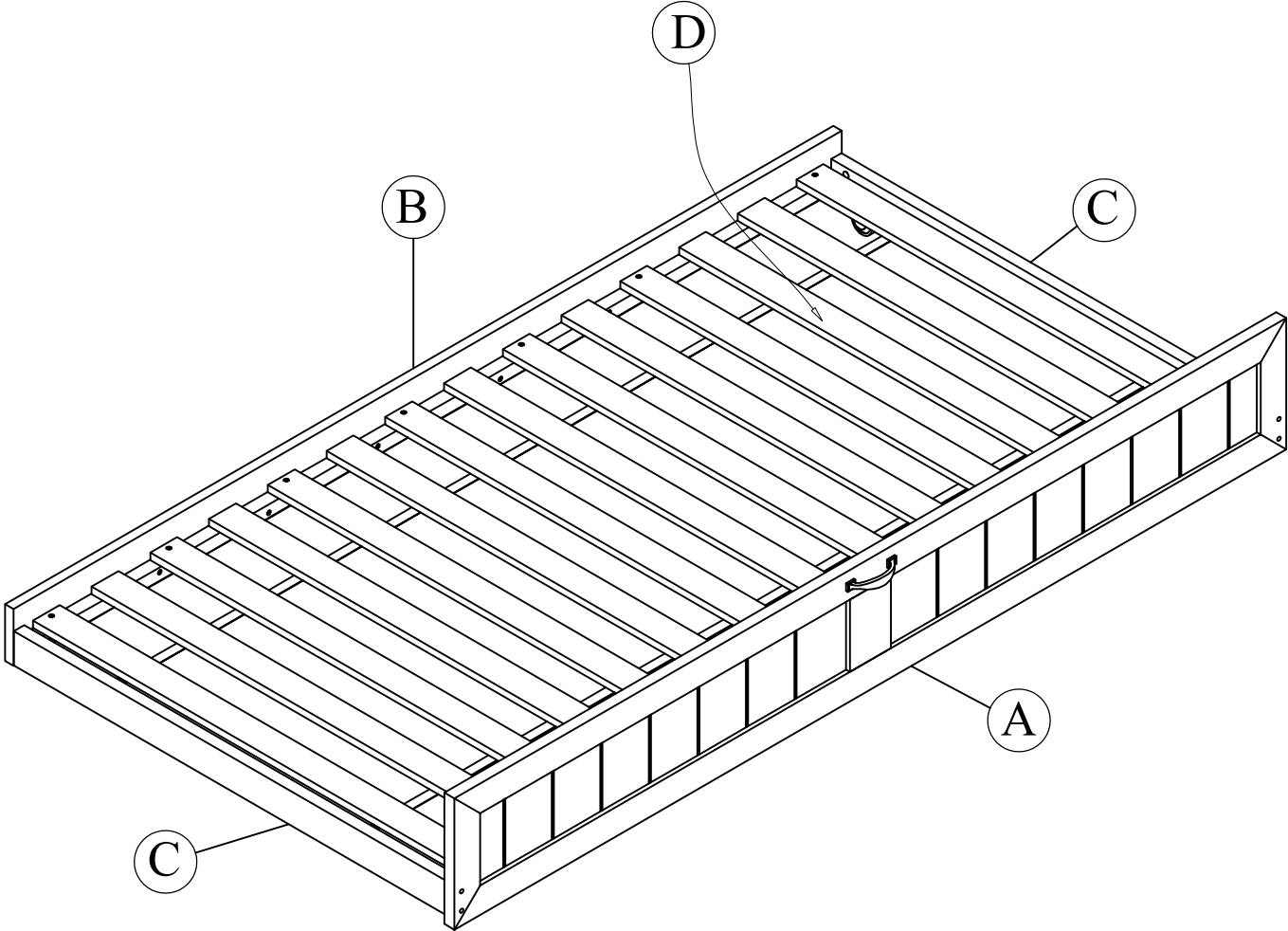
**THE HARDWARE IS LOCATED IN THE PACKING ITEM**

**NOTE: MUST TIGHTEN SCREWS PERIODIACLLY. WITH USE SCREW MAY ENCOME LOOSE CHECK TIGHTNESS OF ALL SCREWS EVERY 6-8 WEEKS.**

### CLEANING INSTRUCTIONS:

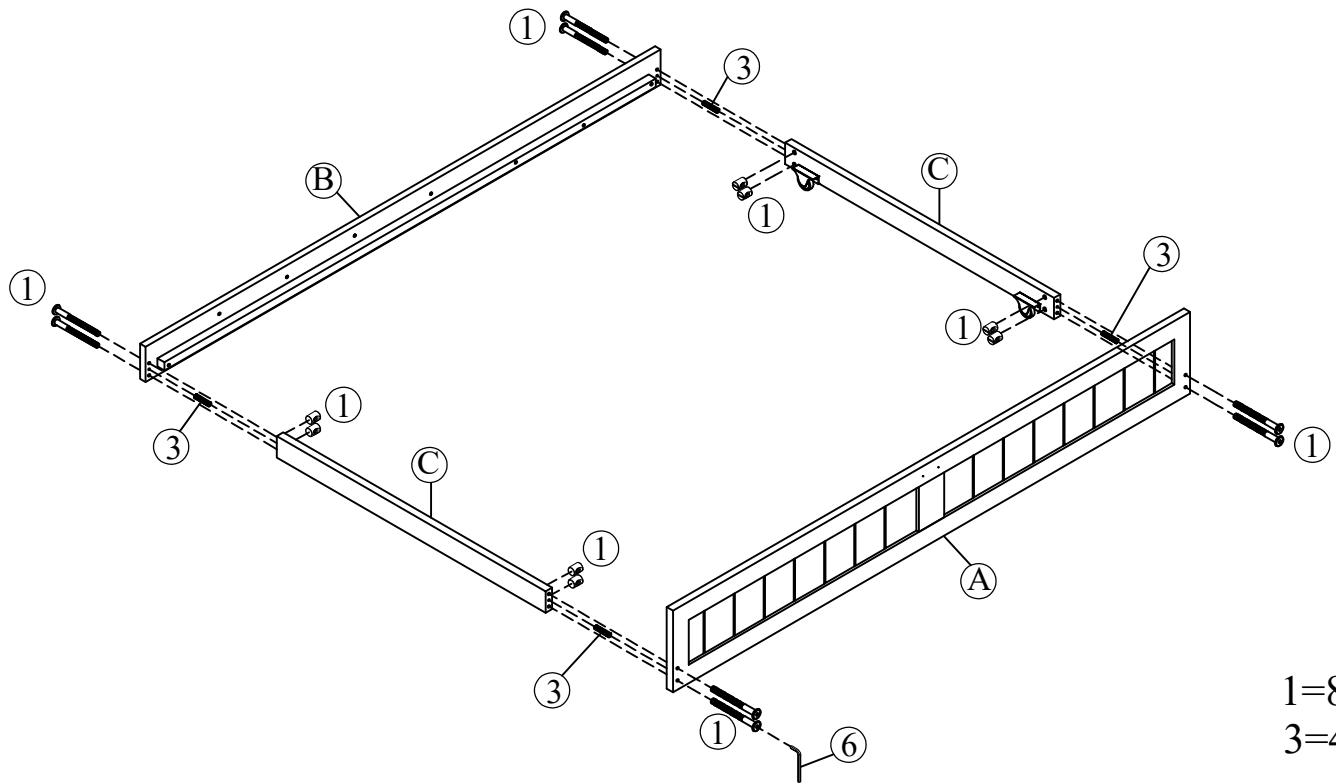
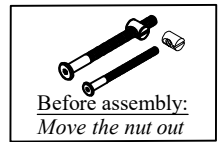
After assembly, clean and polish the completed parts if necessary with soft cloth and industrial recognized furniture polish.

Detail view



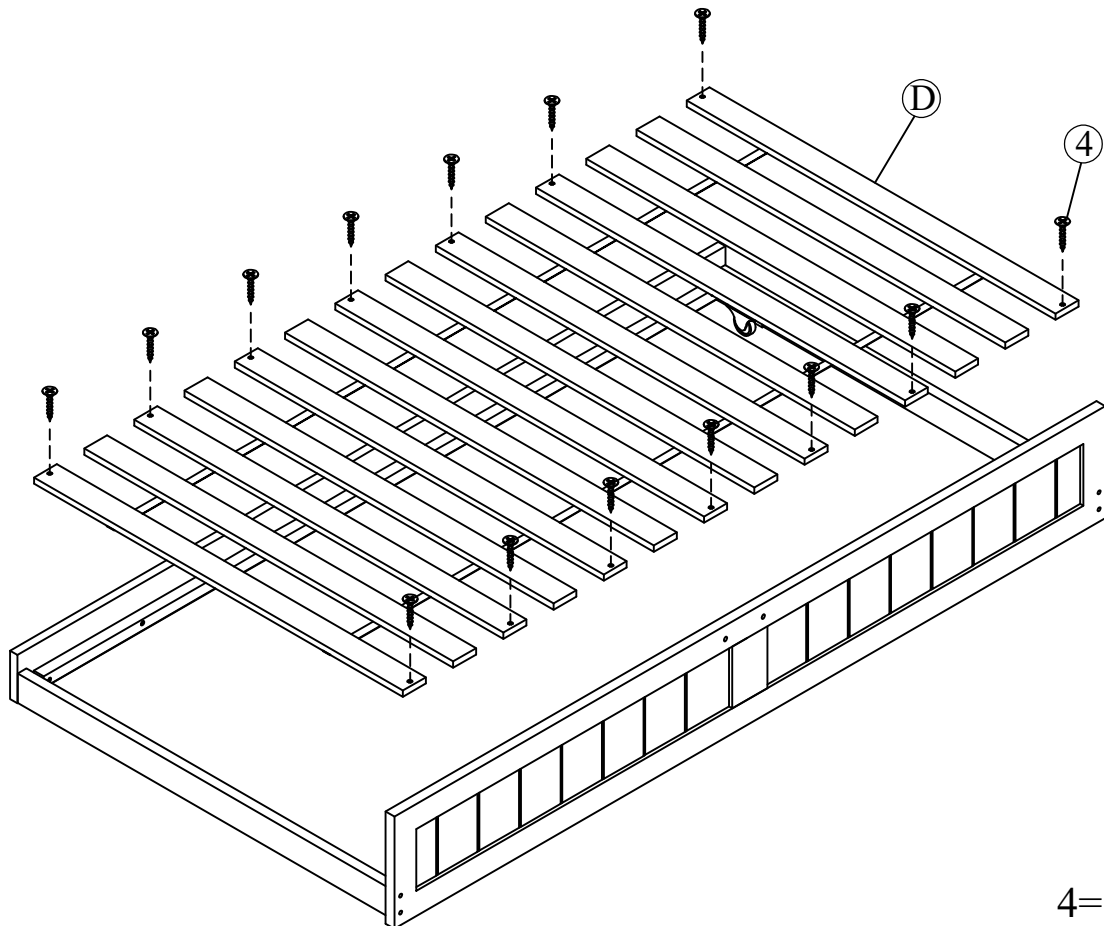
## STEP 1:

- Firstly, please locate Side Rail (C) to Front (A), Back (B) by dowel (3).
- Fasten Side Rail (C) by (Bolt+nut) (1).



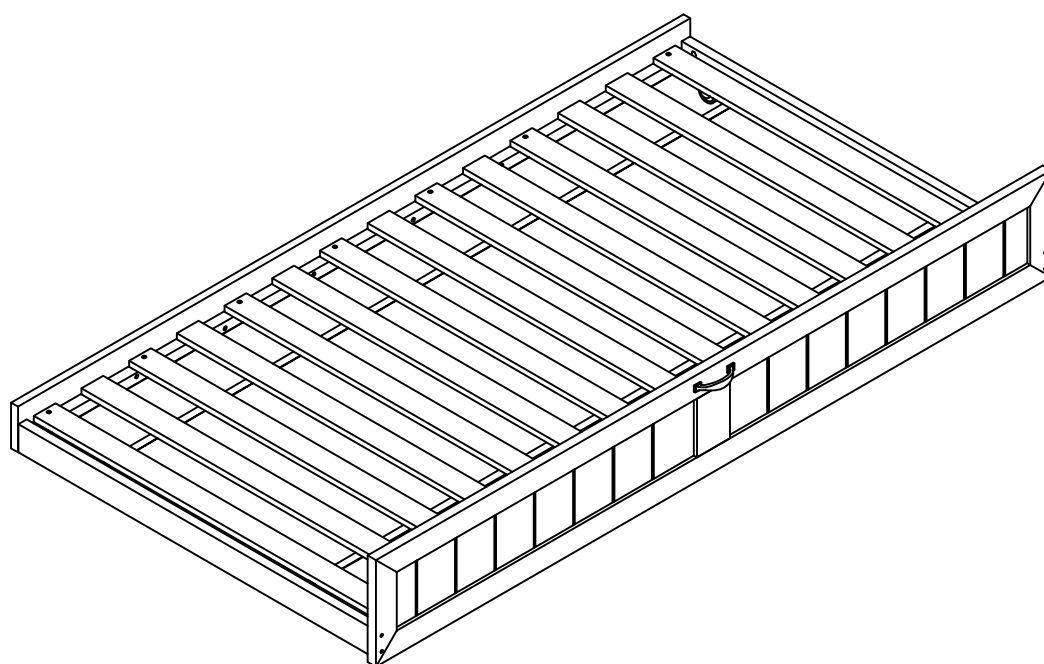
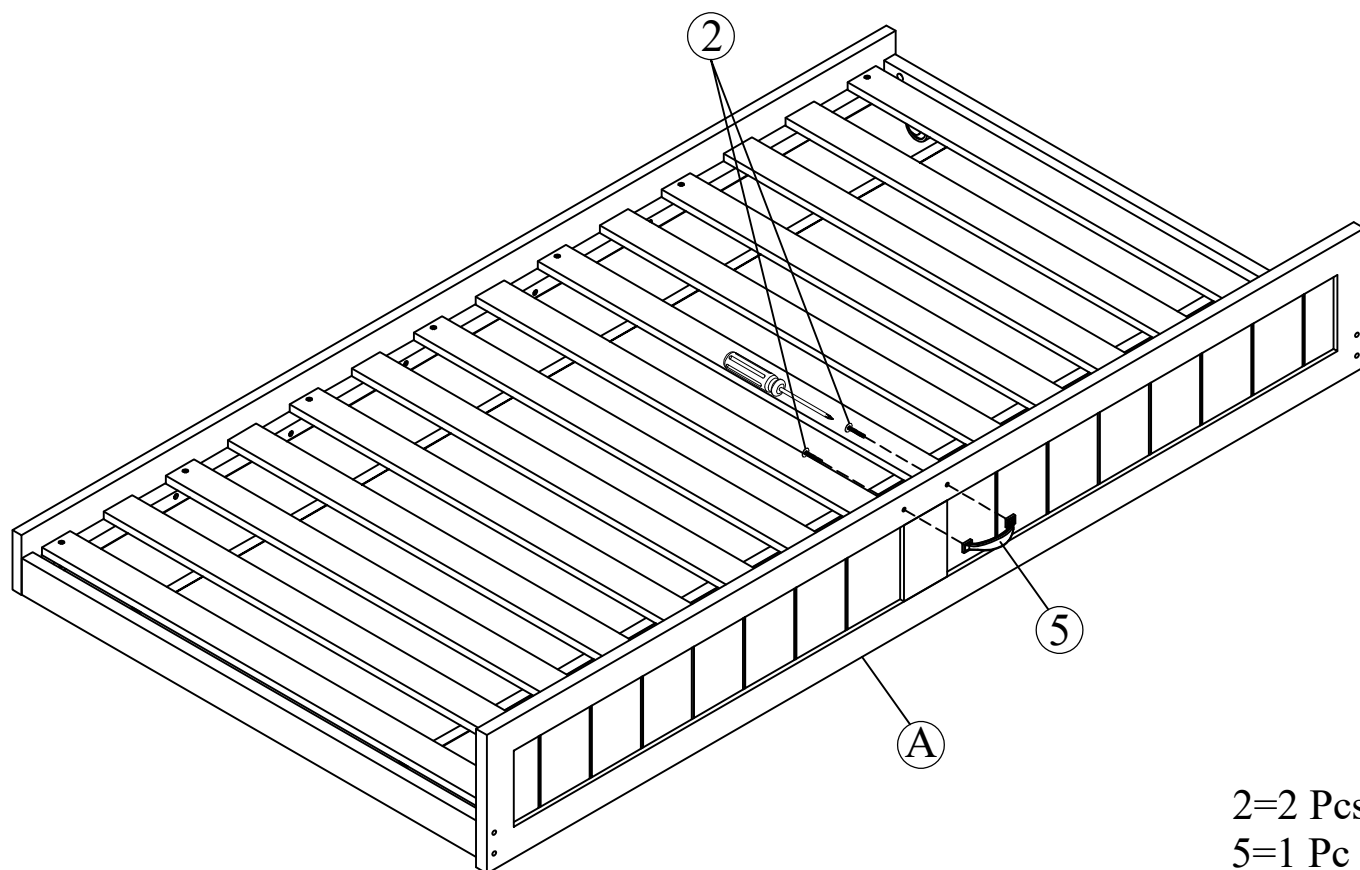
1=8 Pcs  
3=4 Pcs

STEP 2: Please fasten slats (D) by screw (4) into corresponding holes.



4=14 Pcs

STEP 3: Assemble the handle (5) into Front (A)



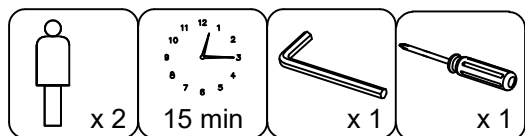
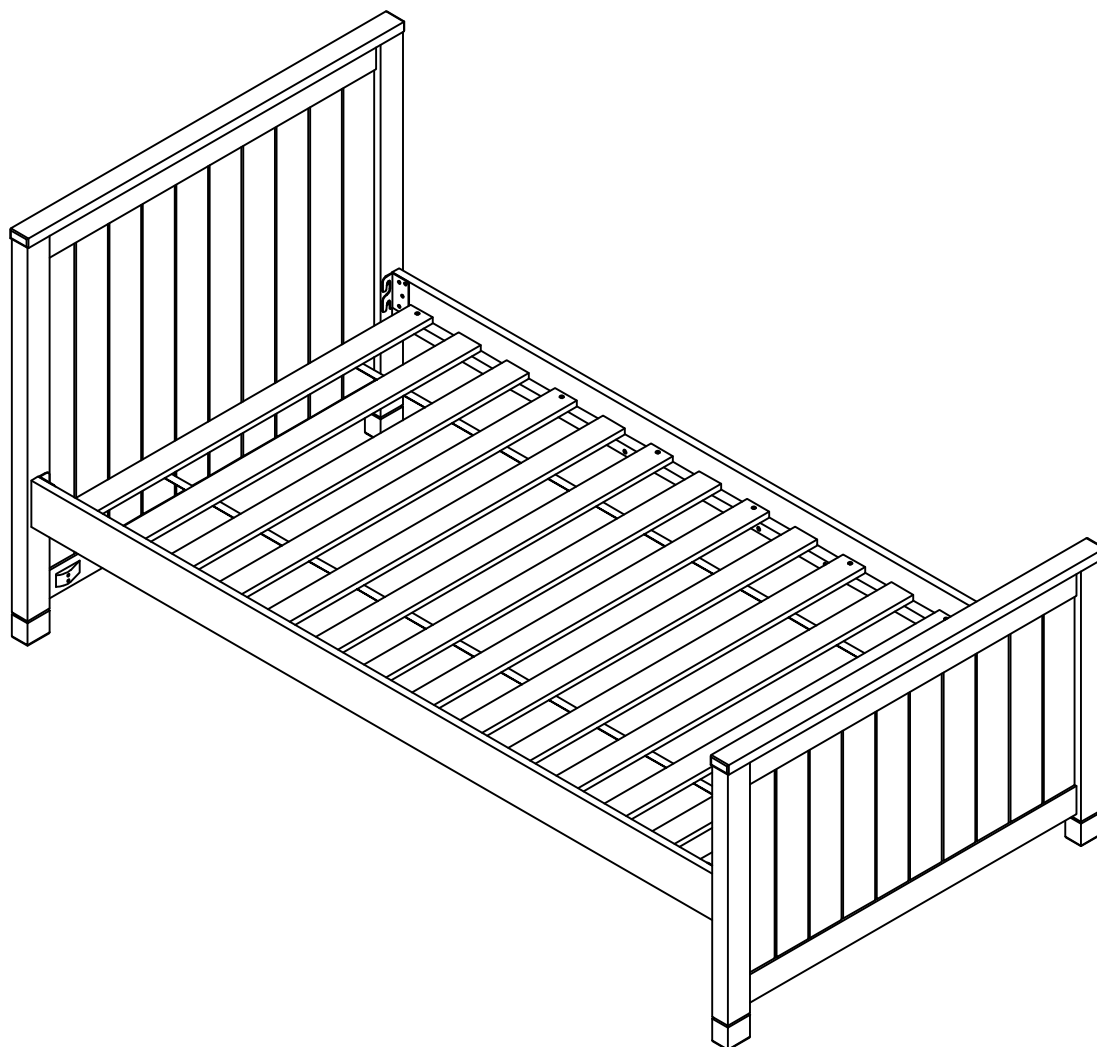
*That's it ! You've finished  
assembling your item. Thank you!*



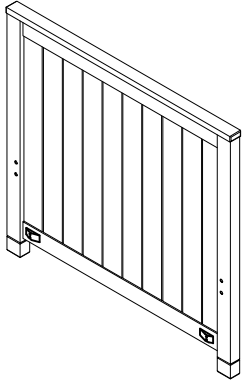
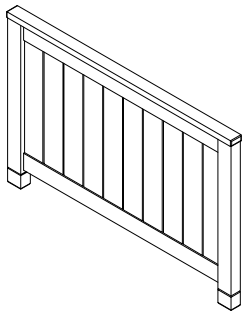
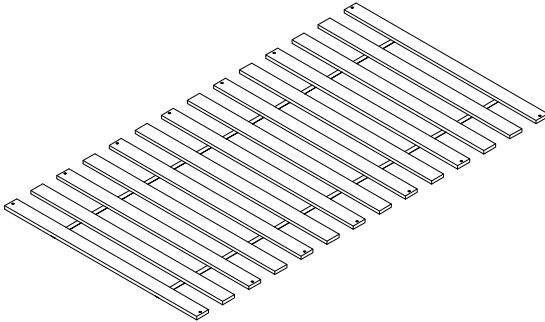
# ASSEMBLY INSTRUCTIONS

## LUCA TWIN PANEL BED

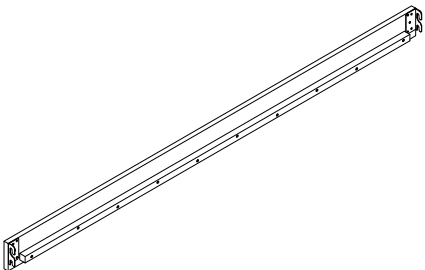
ITEM NO: Y2103W-336/337    SKU: 314659/314660  
                  Y2103B-336/337                    314571/314572  
                  Y2103G-336/337                    314615/314616



**BOX 1- TW HEADBOARD/FOOTBOARD/SLATS PANEL BED**




PART	SKU#	IMAGE	DESCRIPTION	QTY
A	1994T-A-W:(White) 1994T-A-B:(Blue) 1994T-A-G:(Grey)		<p align="center"><b>Headboard</b></p>	<p align="center"><b>1</b></p>
B	1994T-B-W: (White) 1994T-B-B: (Blue) 1994T-B-G: (Grey)		<p align="center"><b>Footboard</b></p>	<p align="center"><b>1</b></p>
D	1994T-D		<p align="center"><b>Slats</b></p>	<p align="center"><b>1</b></p>

**BOX 2- TW RAILS PANEL BED**

PART	SKU#	IMAGE	DESCRIPTION	QTY
C	1994T-C-W: (White) 1994T-C-B: (Blue) 1994T-C-G: (Grey)		<p align="center"><b>Rails</b></p>	<p align="center"><b>2</b></p>



## Hardware List of Luca Twin Panel Bed

Part	SKU#	IMAGE	DESCRIPTION	QTY
①	1994T-1(8)		Bolts M8*20mm	8
②	1994T-2(14)		Screws 8#*30mm	14
③	1994T-3(1)		Allen key 60*22*4mm	1

***Note: Screwdriver will be prepared by yourself.***

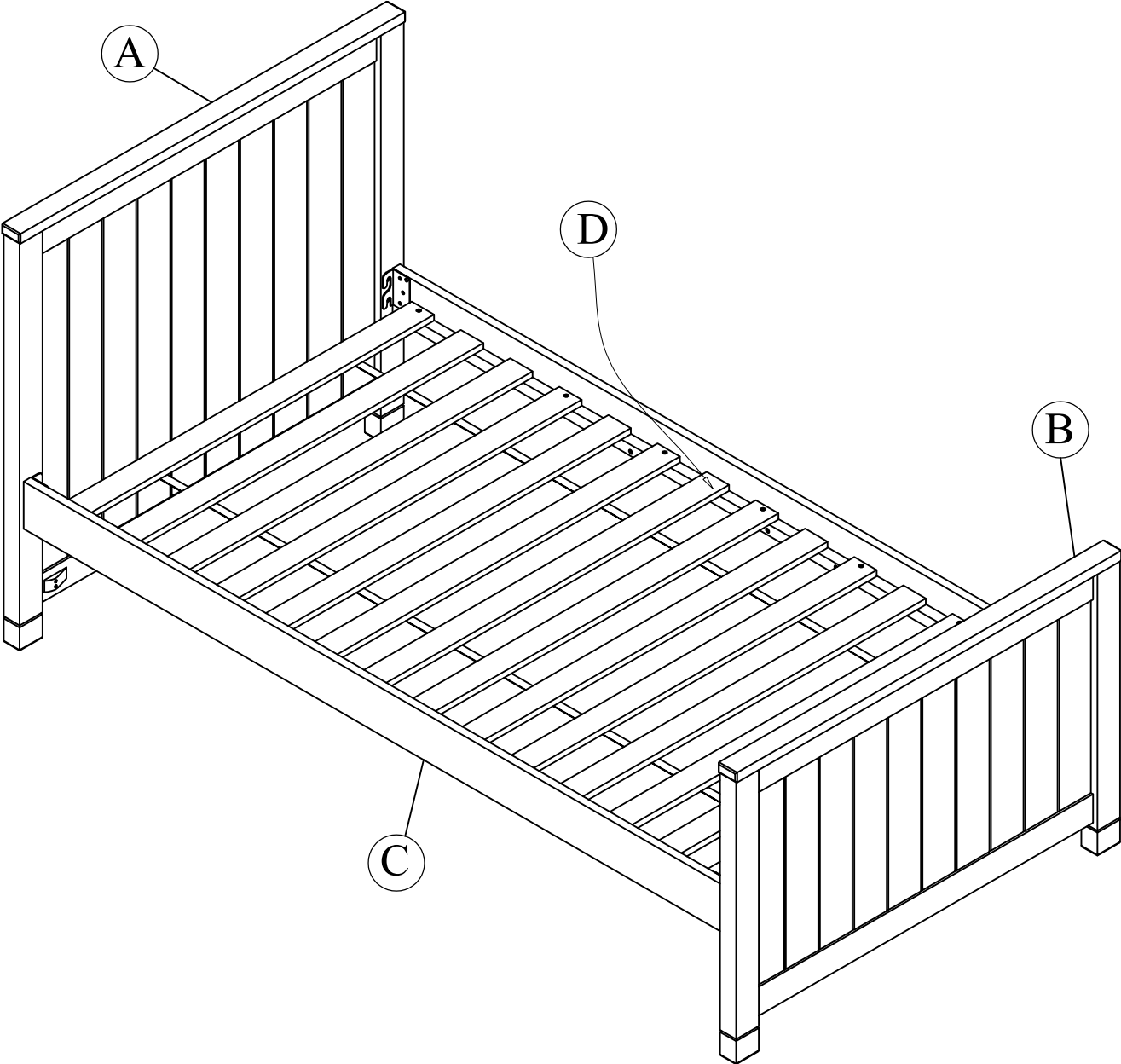
**THE HARDWARE IS LOCATED IN THE PACKING ITEM**

**NOTE: MUST TIGHTEN SCREWS PERIODIACLLY. WITH USE SCREW MAY ENCOME LOOSE CHECK TIGHTNESS OF ALL SCREWS EVERY 6-8 WEEKS.**

### CLEANING INSTRUCTIONS:

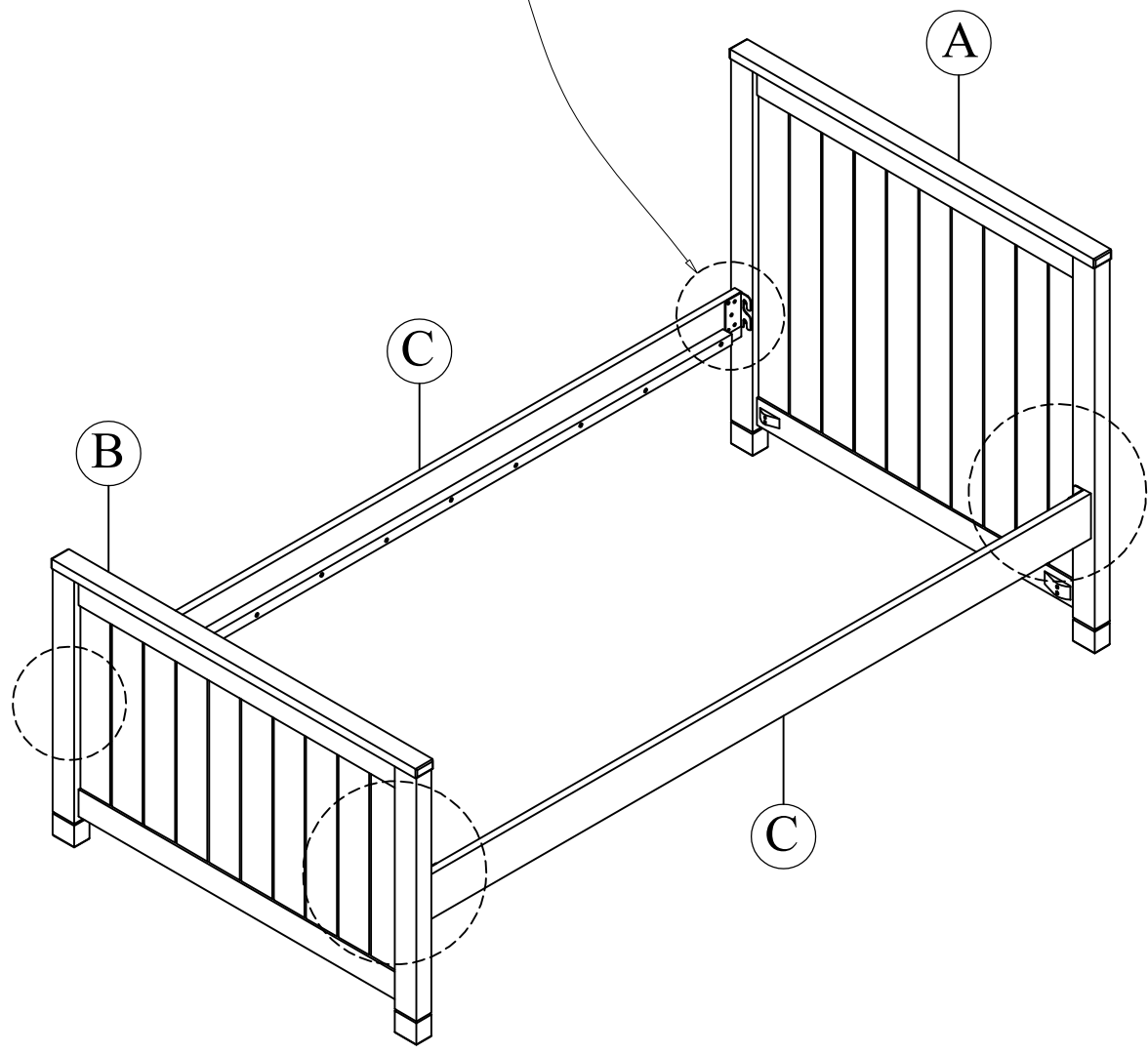
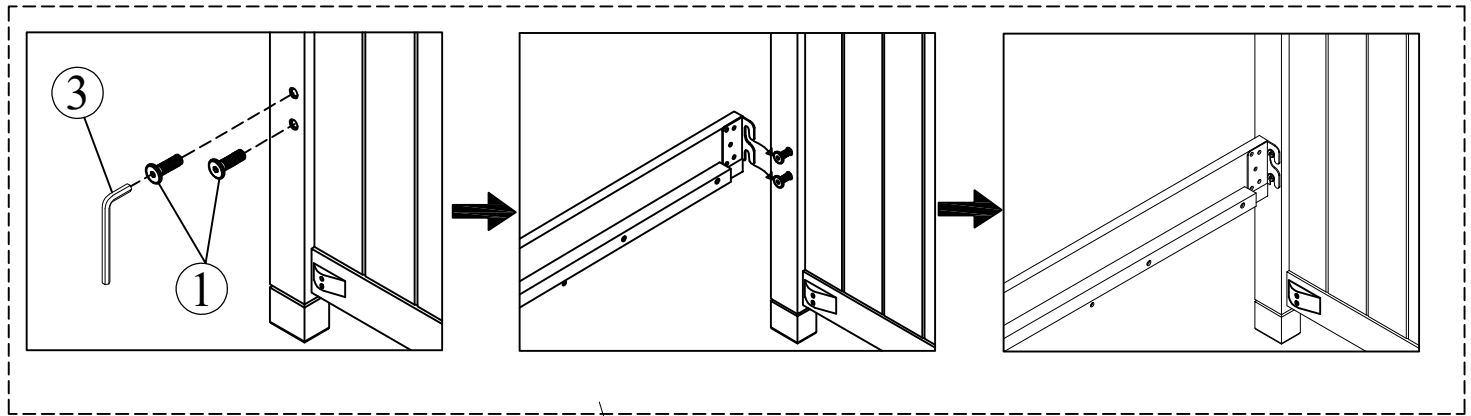
After assembly, clean and polish the completed parts if necessary with soft cloth and industrial recognized furniture polish.

Detail view



**STEP 1:**

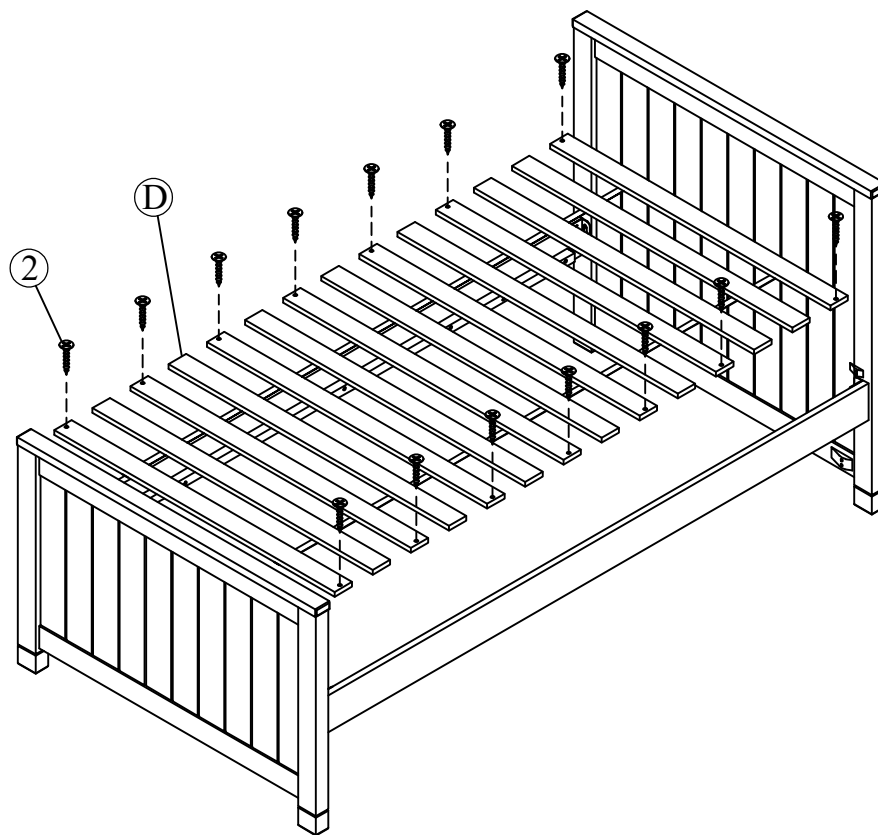
- Attaching Bolt (1) to Pre-holes on Headboard (A), Footboard (B). Please be noted: **"should not tighten bolts"**
  - Connecting the hook on Rail (C) to Bolt (1) and fasten again.
- ⚠ Pay attention to rail orientation.**



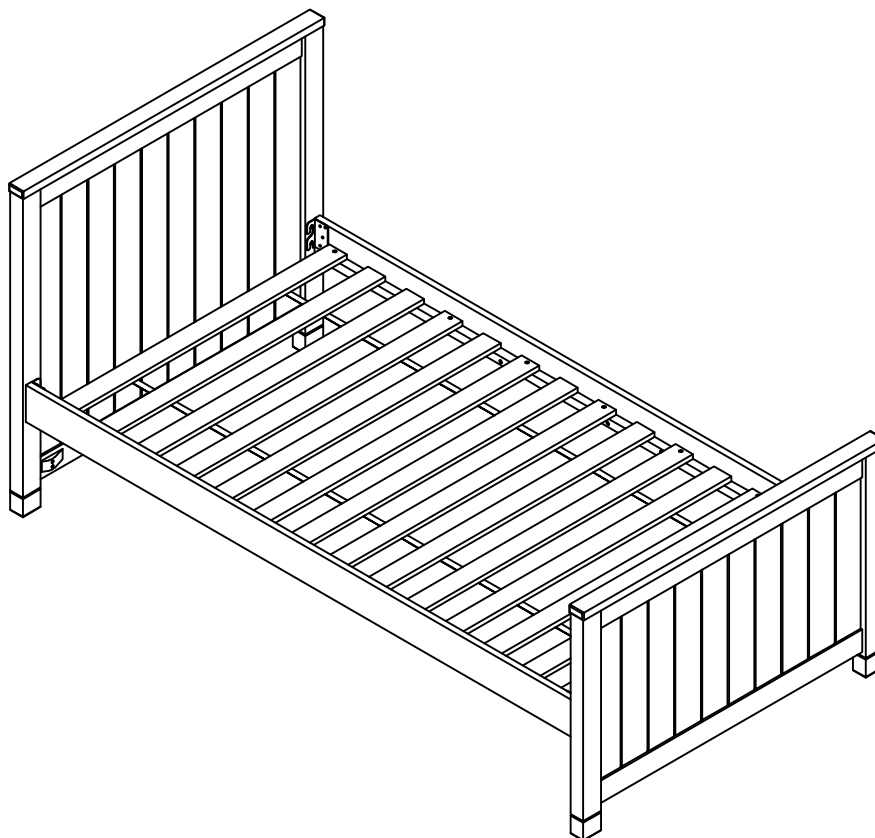
1=8 Pcs

**STEP 2:**

Please fasten slats (D) by screw (2) into corresponding holes.



2=14 Pcs



*That's it ! You've finished  
assembling your item. Thank you!*