



LIVING SPACES

# ASSEMBLY INSTRUCTIONS

## LUCA CHEST OF DRAWERS

ITEM NO : Y2103W-312 SKU: 314654

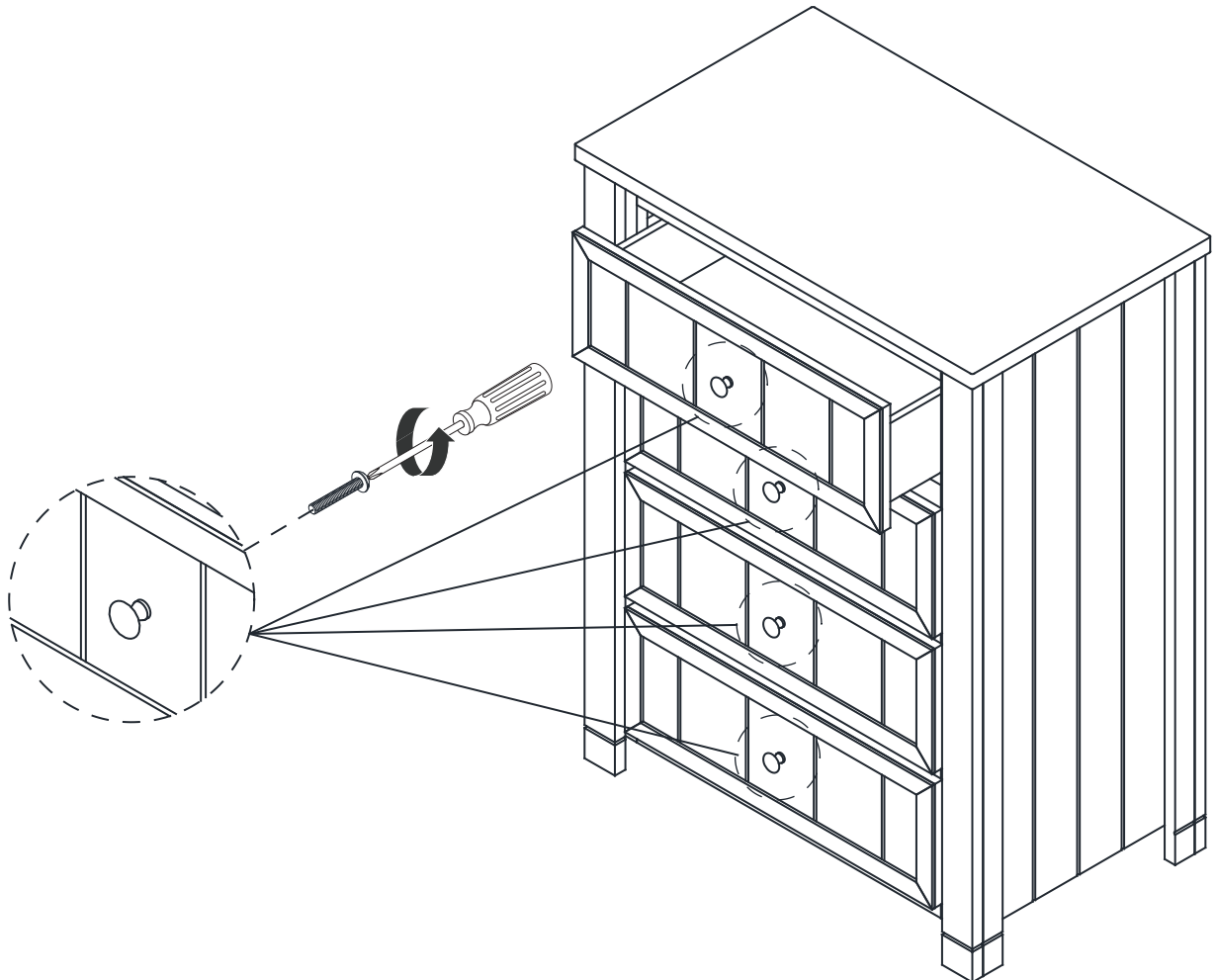
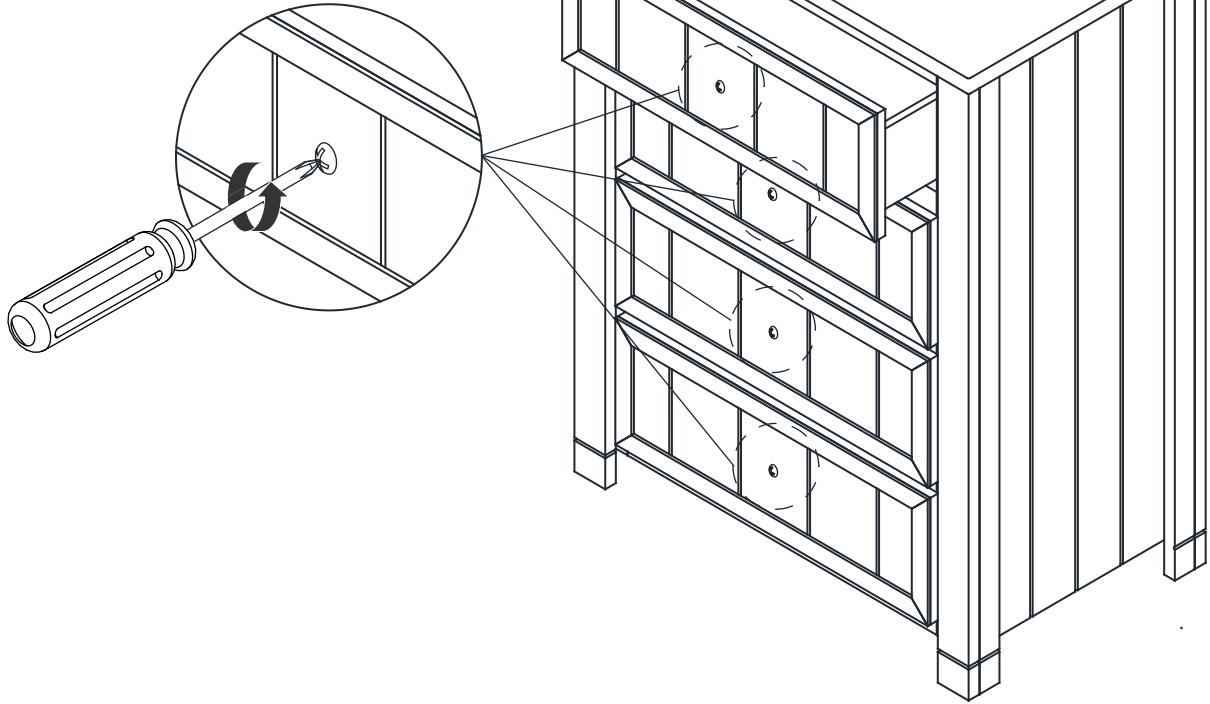
Y2103B-312 314565

Y2103G-312 314610

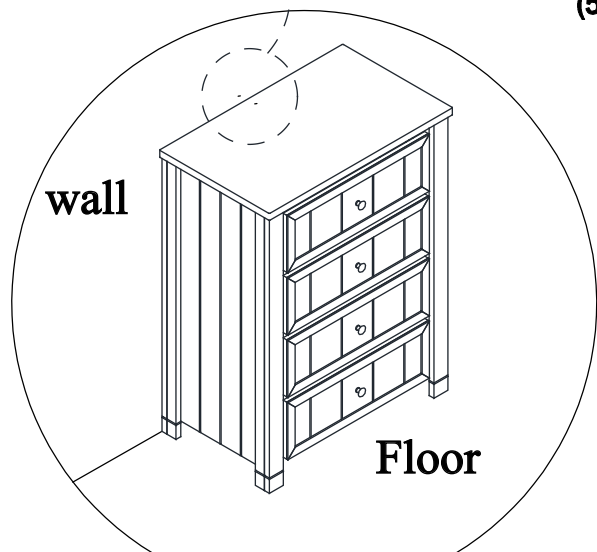
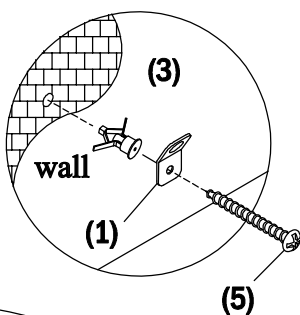
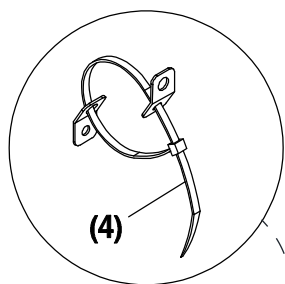
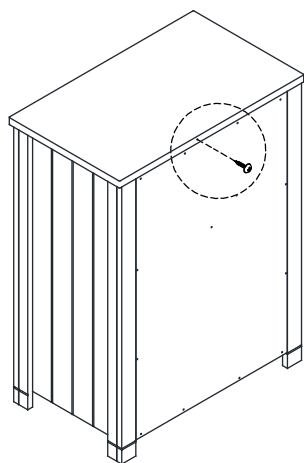
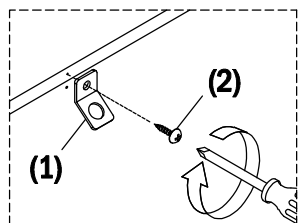


**STEP 1:**

Revert the  
knobs as  
instruction

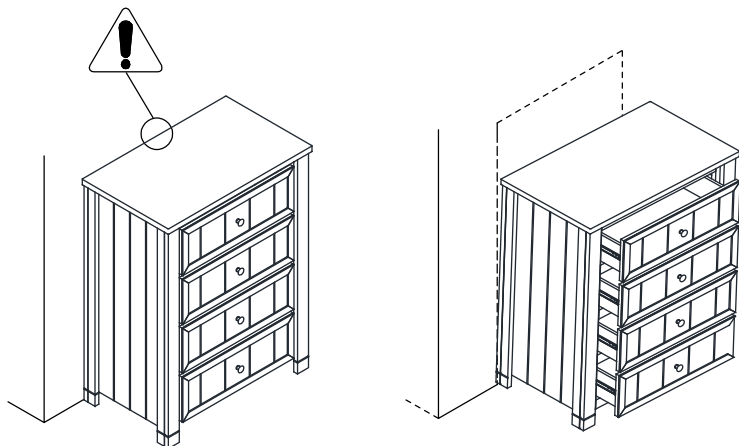


## STEP 2: Tipover device assembly

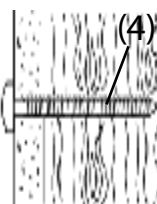


### Safety notice

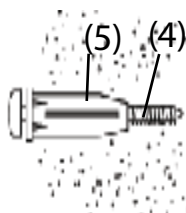
The consumer product safety commission recommends anchoring furniture in homes where children live or visit. In order to protect you and your family the manufacturer of this product has included an easy to install safety device. Please make sure that it is installed according to the following instructions.



### Wall mounting hardware



For walls constructed of wood with drywall  
 -with a pencil mark location of holder position  
 -Drill pilot hole using a 1/8 inch drill bit 2 inches deep  
 -Attach holder to wall using the 2 inch screw provided



For walls constructed of concrete  
 -with a pencil mark location of holder position  
 -Drill pilot hole using a 1/4 inch drill bit 2 inches deep  
 -Using a rubber mallet or hammer insert wall anchor into predrilled hole  
 -Attach holder to wall anchor using 2 inch screw provided

**Rectangle metal plate (1)x2**



**Screws (2)x1**



**Plastic anchor (3)x1**



**Plastic band (4)x1**



**Screws (5)x1**

