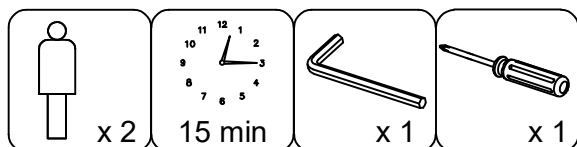
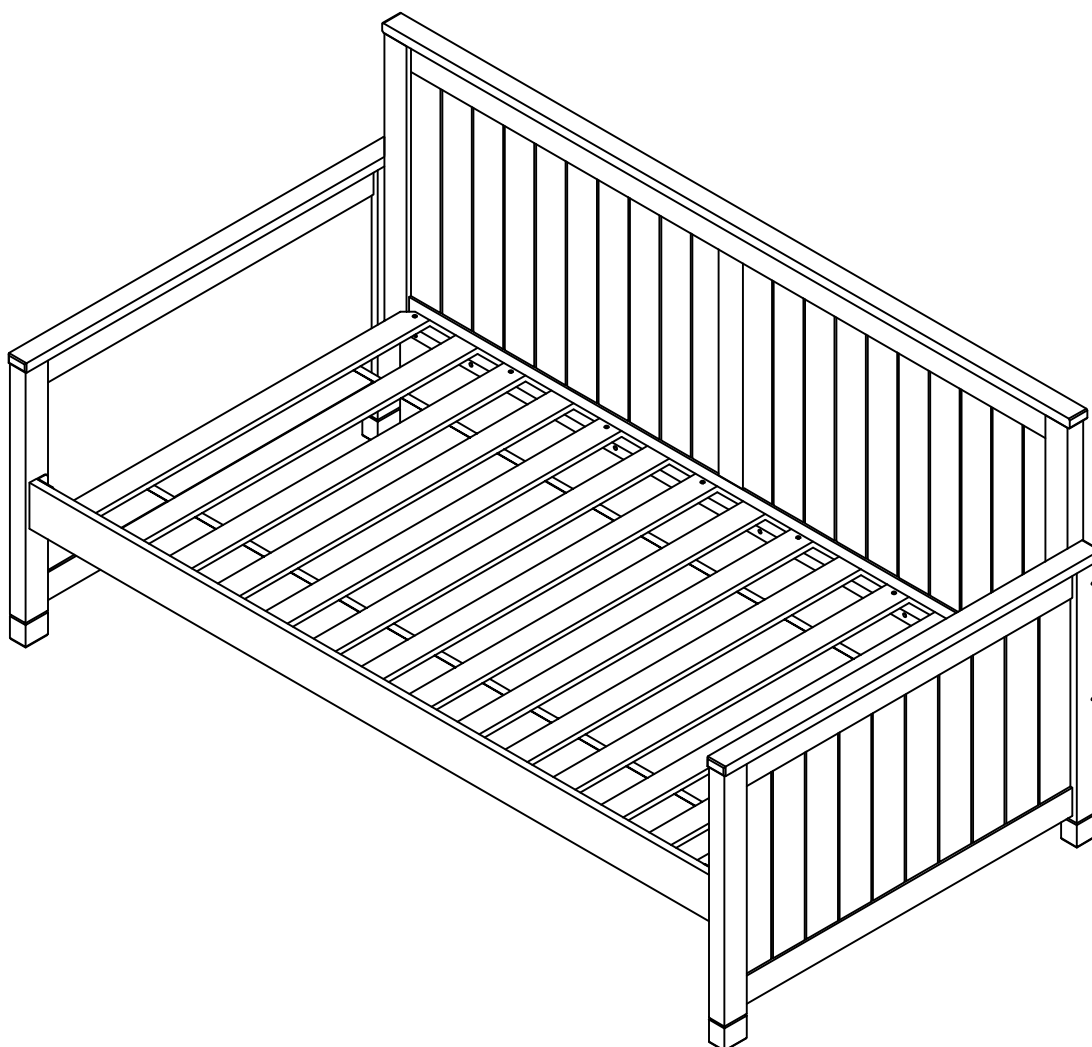




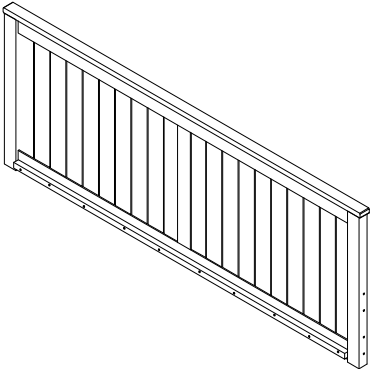
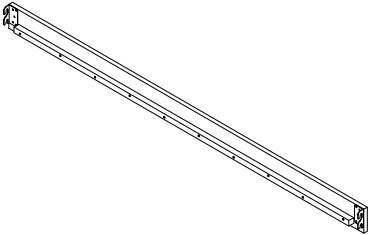
ASSEMBLY INSTRUCTIONS

LUCA TWIN DAYBED

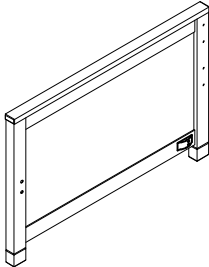
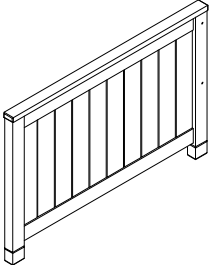
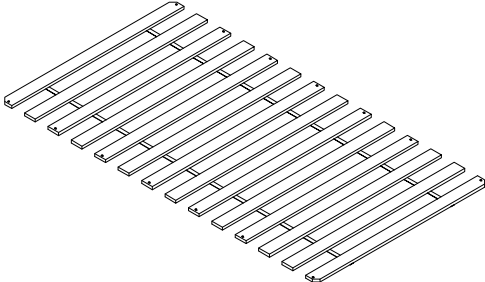
ITEM NO: Y2103W-350/351 SKU: 314673/314674





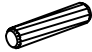


BOX 1- TW BACK/RAILS DAYBED

PART	SKU#	IMAGE	DESCRIPTION	QTY
A	1992T-A-W: (White)		Back	1
B	1992T-B-W: (White)		Rail	1

BOX 2- TW ENDS/SLATS DAYBED

PART	SKU#	IMAGE	DESCRIPTION	QTY
C	1992T-C-W: (White)		Left End	1
D	1992T-D-W: (White)		Right End	1
E	1992T-E		Slats	1

Hardware List of Twin Daybed

Part	SKU#	IMAGE	DESCRIPTION	QTY
①	1992T-1(4)		Bolt and nut M8*80mm	4
②	1992T-2(4)		Bolts M8*20mm	4
③	1992T-3(4)		Dowel Ø8*40mm	4
④	1992T-4(14)		Screws 8#*30mm	14
⑤	1992T-5(1)		Allen key 60*22*4mm	1

Note: Screwdriver will be prepared by yourself.

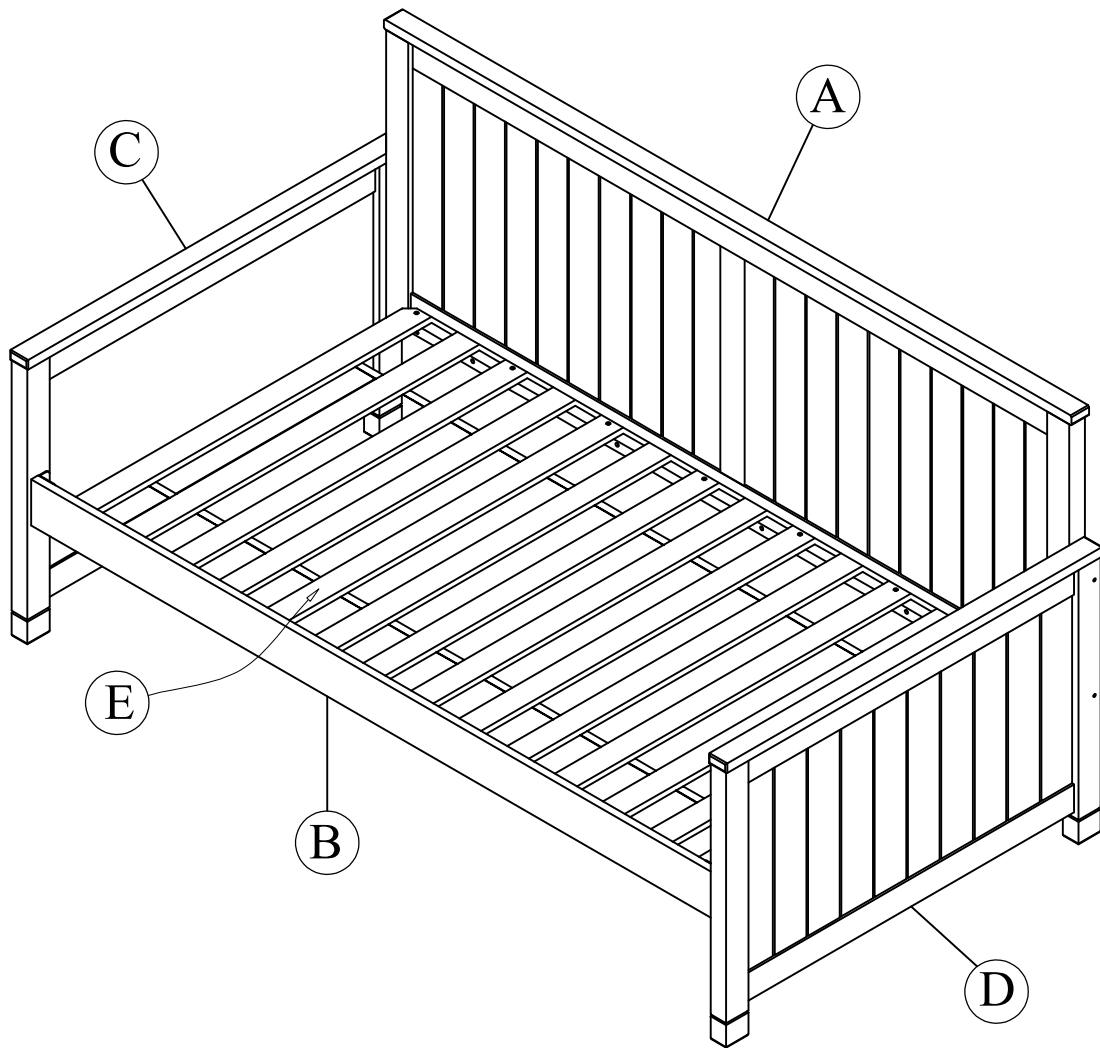
THE HARDWARE IS LOCATED IN THE PACKING ITEM

NOTE: MUST TIGHTEN SCREWS PERIODIACLLY. WITH USE SCREW MAY ENCOME LOOSE CHECK TIGHTNESS OF ALL SCREWS EVERY 6-8 WEEKS.

CLEANING INSTRUCTIONS:

After assembly, clean and polish the completed parts if necessary with soft cloth and industrial recognized furniture polish.

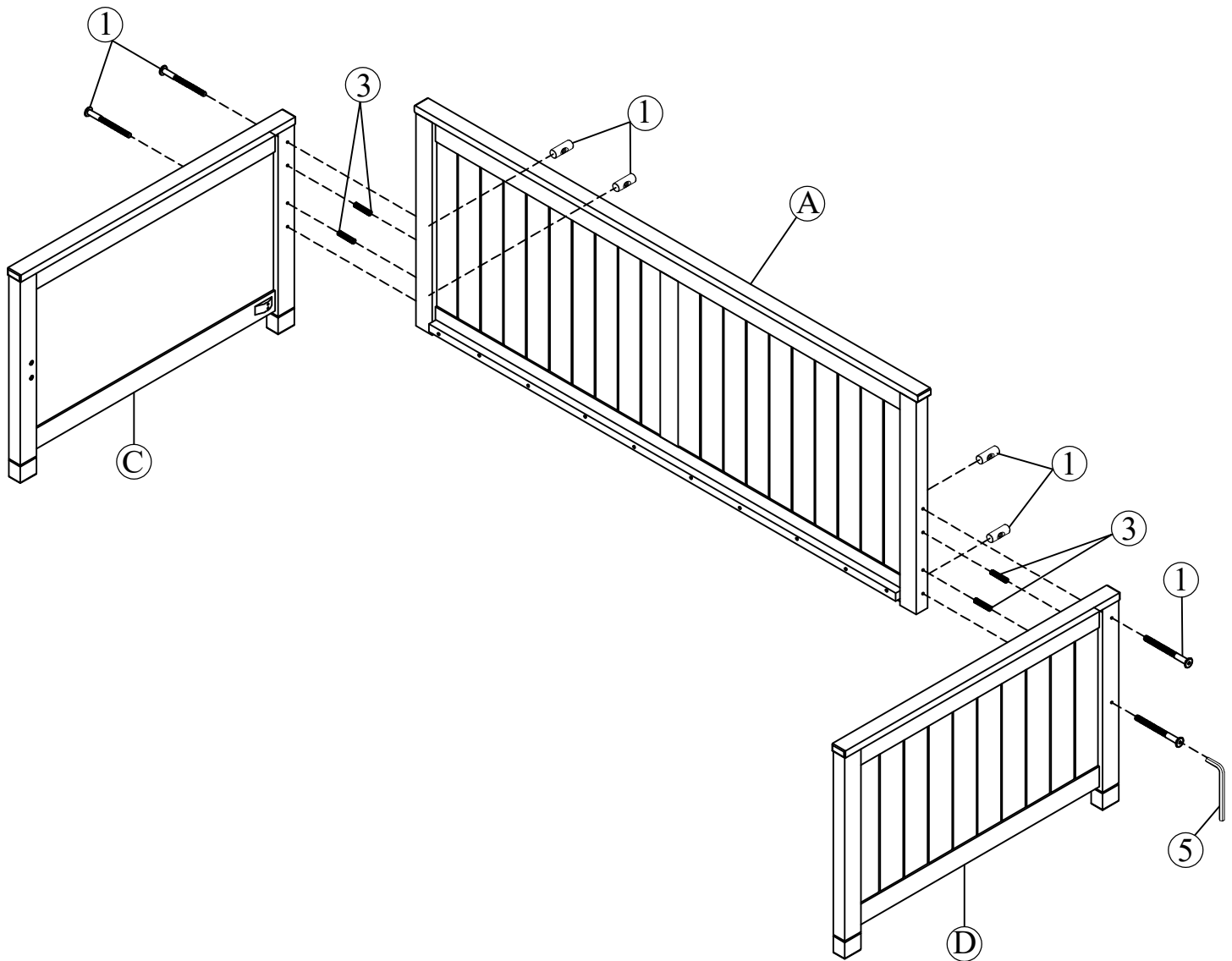
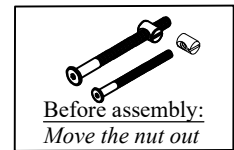
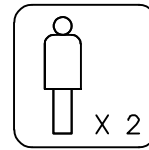
Detail view



STEP 1:

- Inserting the dowel (3) into the respective holes at Back (A)
- Assemble Side End (C), (D) to Back (A) by Bolt+nut (1)

⚠ Distinguishing the Ends (C), (D).



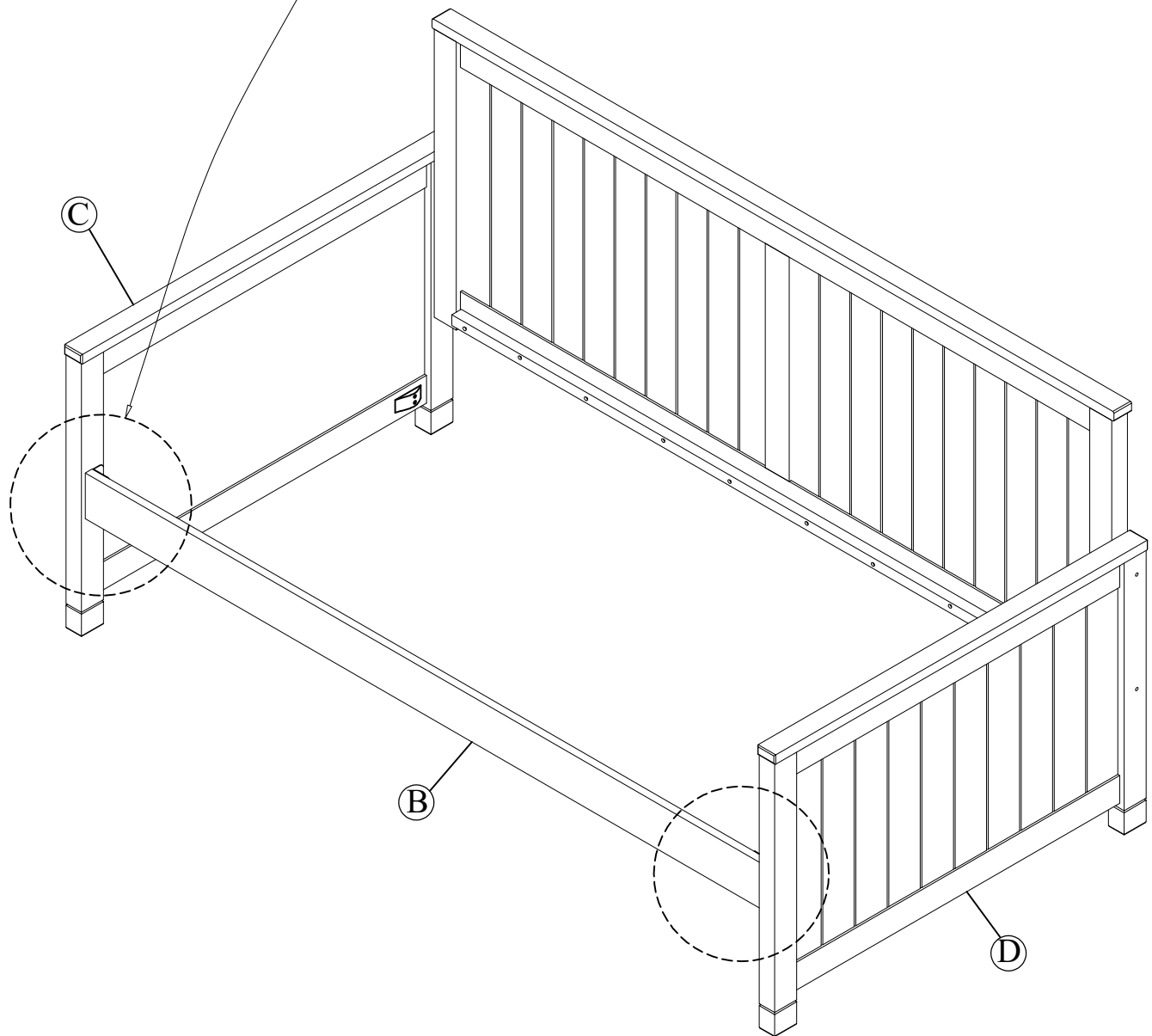
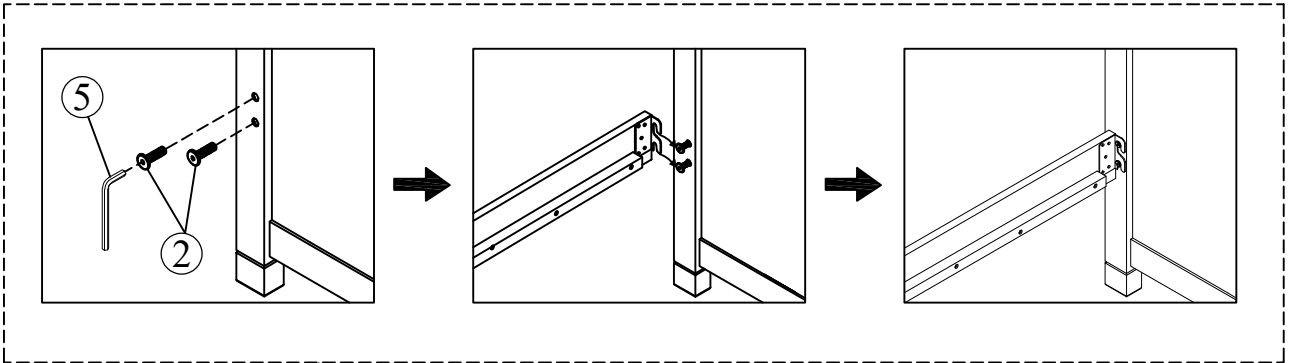
1=4 Pcs
3=4 Pcs

STEP 2:

- Attaching Bolt (5) to Pre-holes on Side End (C) and (D).
- Connecting the hook on Rail (B) to Bolt (5) and fasten.



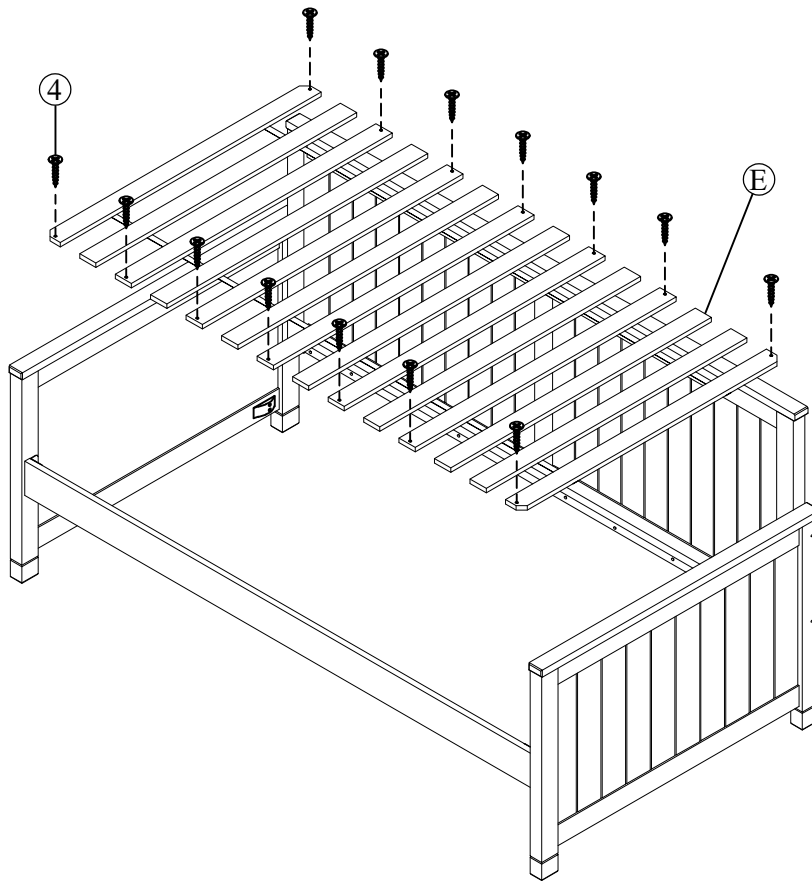
Pay attention to rail orientation.



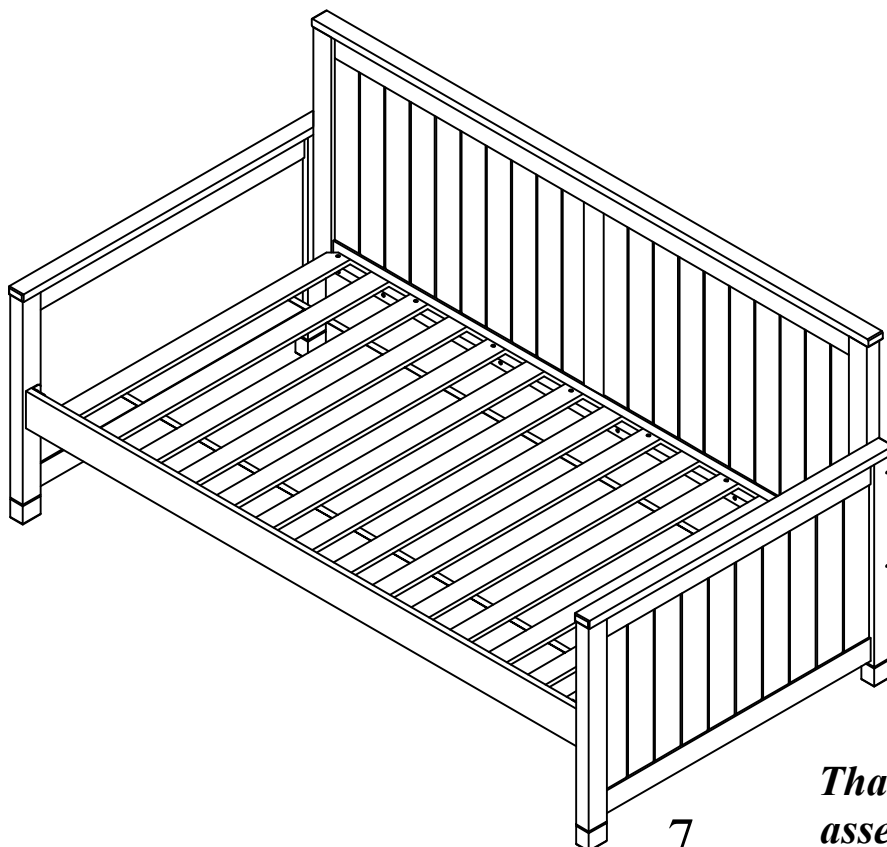
2=4 Pcs

STEP 3:

Please fasten slats (E) by screw (4) into corresponding holes.



4=14 Pcs



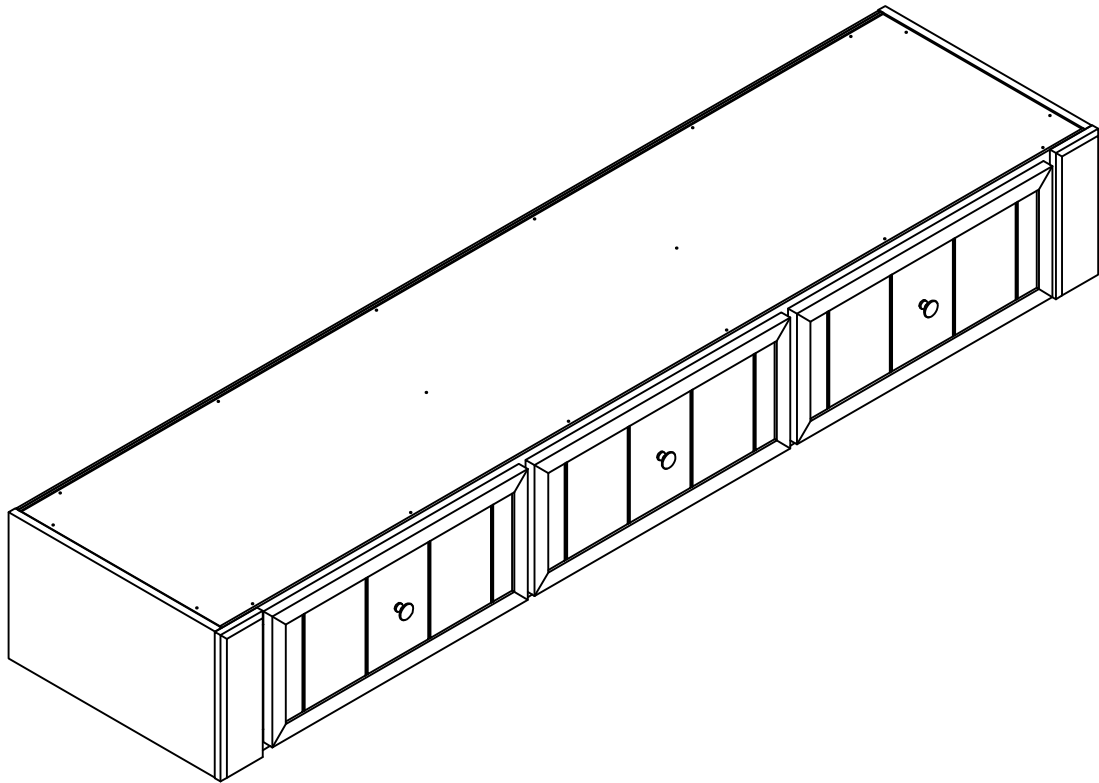
That's it ! You've finished assembling your item. Thank you!



ASSEMBLY INSTRUCTIONS

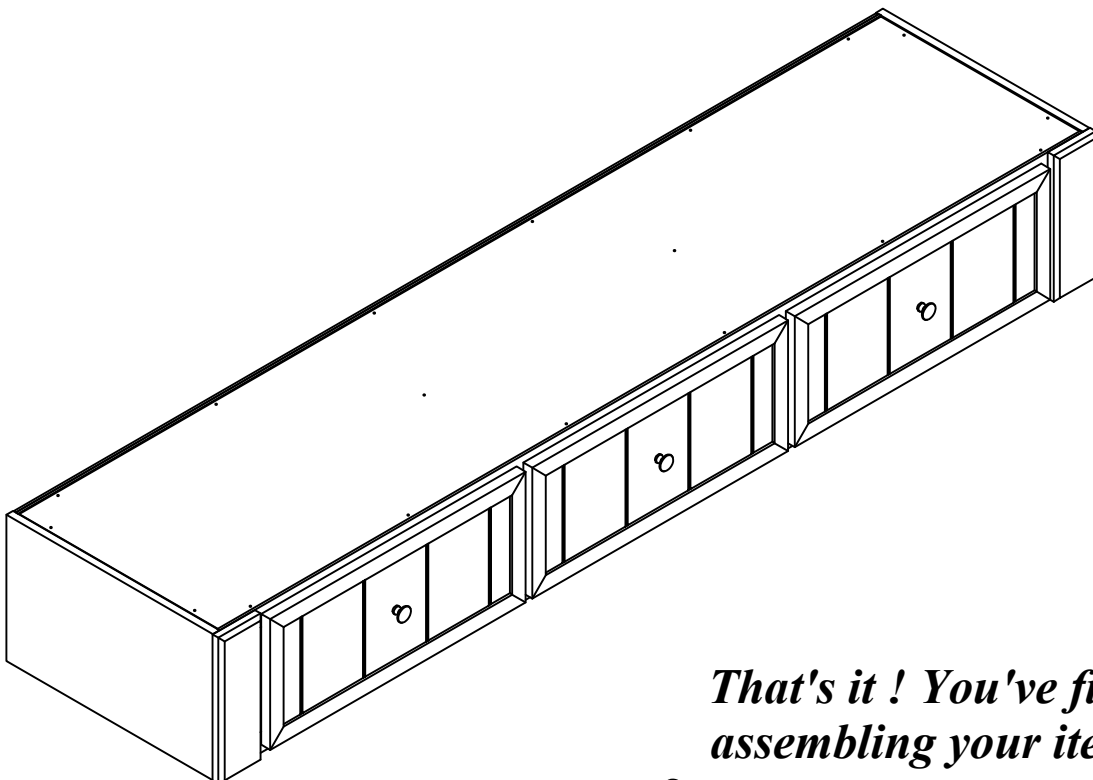
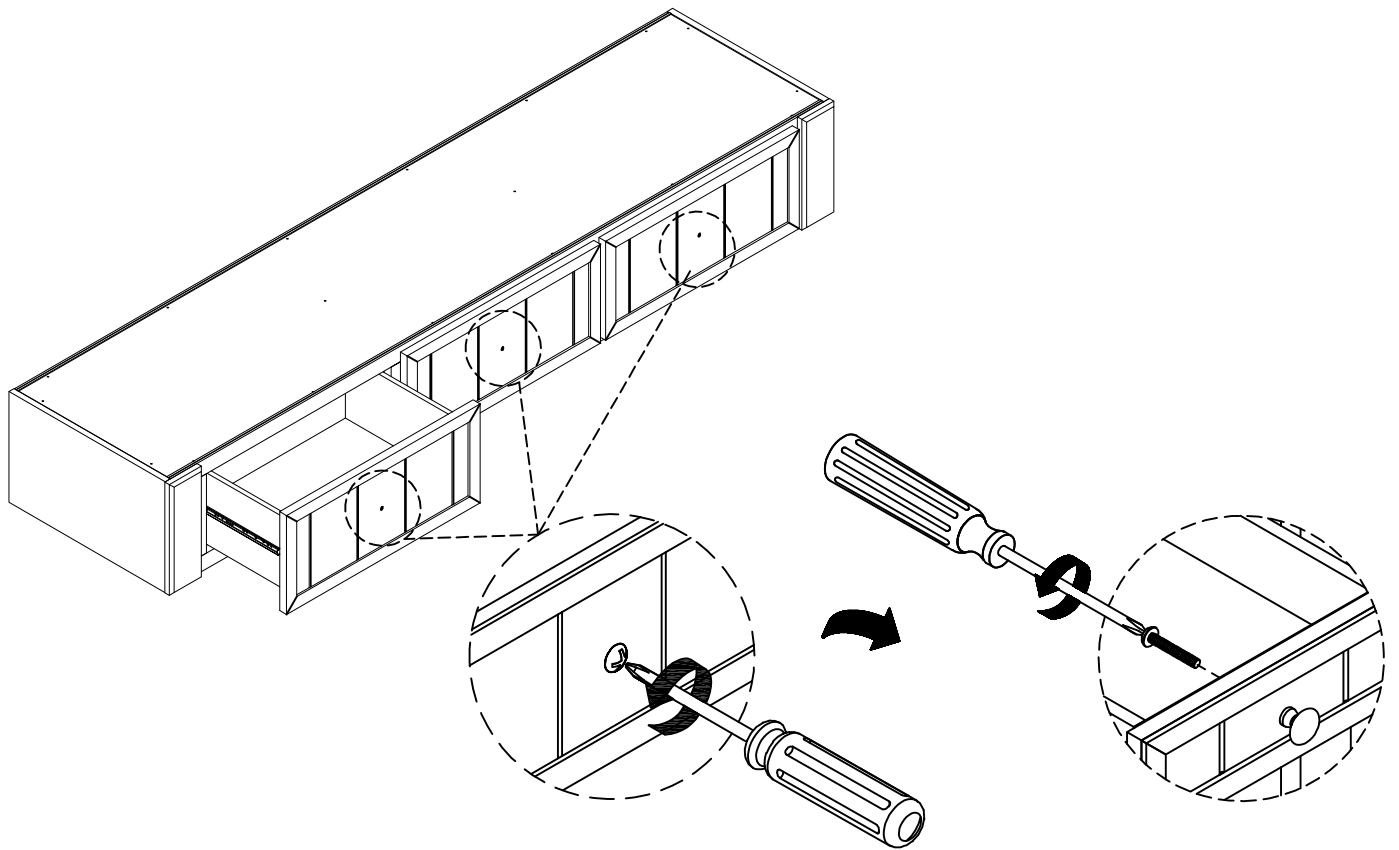
LUCA 3 DRAWER PANEL/BUNK/DAYBED UNDERBED STORAGE

ITEM NO: Y2103W-347 SKU: 314670
 Y2103B-347 314582
 Y2103G-347 314626



 x 1	 5 min	 x 1
--	--	--

Revert the knob as instruction



*That's it ! You've finished
assembling your item. Thank you!*