



LIVING SPACES

Assembly Instructions for

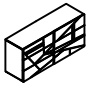


TALBERT II DRESSER
BDCANDR 2 326027

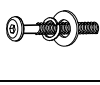


CAUTION: PLEASE READ ALL INSTRUCTION BEFORE STARTING THE ASSEMBLY OF THIS PRODUCT. THESE PIECES ARE HEAVY. IN ORDER TO PREVENT PERSONAL INJURY AND ENSURE THAT THIS PRODUCT IS NOT DAMAGED DURING THE ASSEMBLY PROCESS. IT IS STRONGLY RECOMMENDED THAT YOU ENLIST THE ASSISTANCE OF ONE OR MORE PEOPLE.

CUIDADO: FAVOR DE LEER TODAS LAS INSTRUCCIONES ANTES DE ENSAMBLAR SU PRODUCTO. ESTAS PIEZAS SON PESADAS. PARA PREVENIR HERIDAS PERSONALES Y ASEGURAR QUE SU PRODUCTO NO SEA DANADO MIENTRAS ES ANSAMBLADO, SE RECOMIENDA LA ASISTENCIA DE UNA O MAUS PERSONAS.

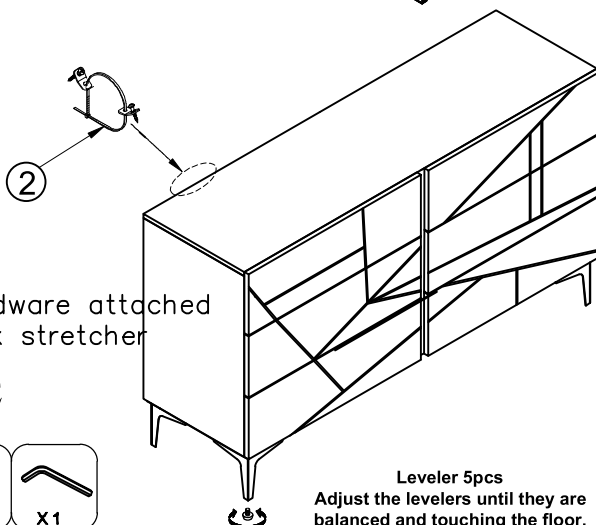
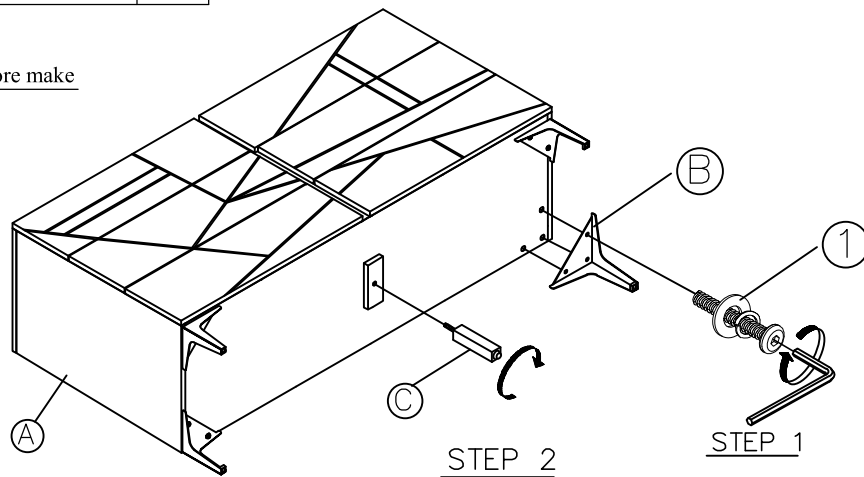
WARNING.....PROTECTIVE GLIDE IS PLACED UNDER LEGS OF FURNITURE TO RESIST SCRATCHES TO FLOOR SURFACE. SOME FLOOR SURFACES CAN BE EXTRA SENSITIVE TO MARKING. IF YOU ARE NOT SURE CONSULT WITH YOUR DEALER.

AVERTISSEMENT...LES PIEDS DES MEUBLES SONT MUNIS DE PAINTS DESTINÉS À PROTÉGER LE PLANCHER. CERTAINS REVÊTEMENTS DE SOL PEUVENT ÊTRE TRÈS FRAGILES. EN CAS DE DOUTE, CONSULTER LA MARCHAND.

NO.	PARTS LIST		Q' TY
A		Dresser	1
B		Metal legs	4
C		Support leg	1

NO.	HARDWARE LIST		Q' TY
1		Φ5/16"x18x3/4"L Bolt	12
		Φ5/16"xΦ13 Spring washer	
		Φ5/16"xΦ19x2mmT Flat washer	
		Allen wrench (4mm)	1
2		Furniture tipping restraint	1

Please note:
Do not fully tighten the bolts before make sure that all bolts get in position.



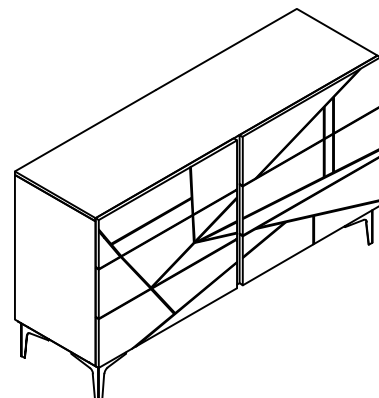
STEP 3

Remark:
Tipping hardware attached to the back stretcher

COMPLETE



Leveler 5pcs
Adjust the levelers until they are balanced and touching the floor.



Assembly completed
Made in VietNam