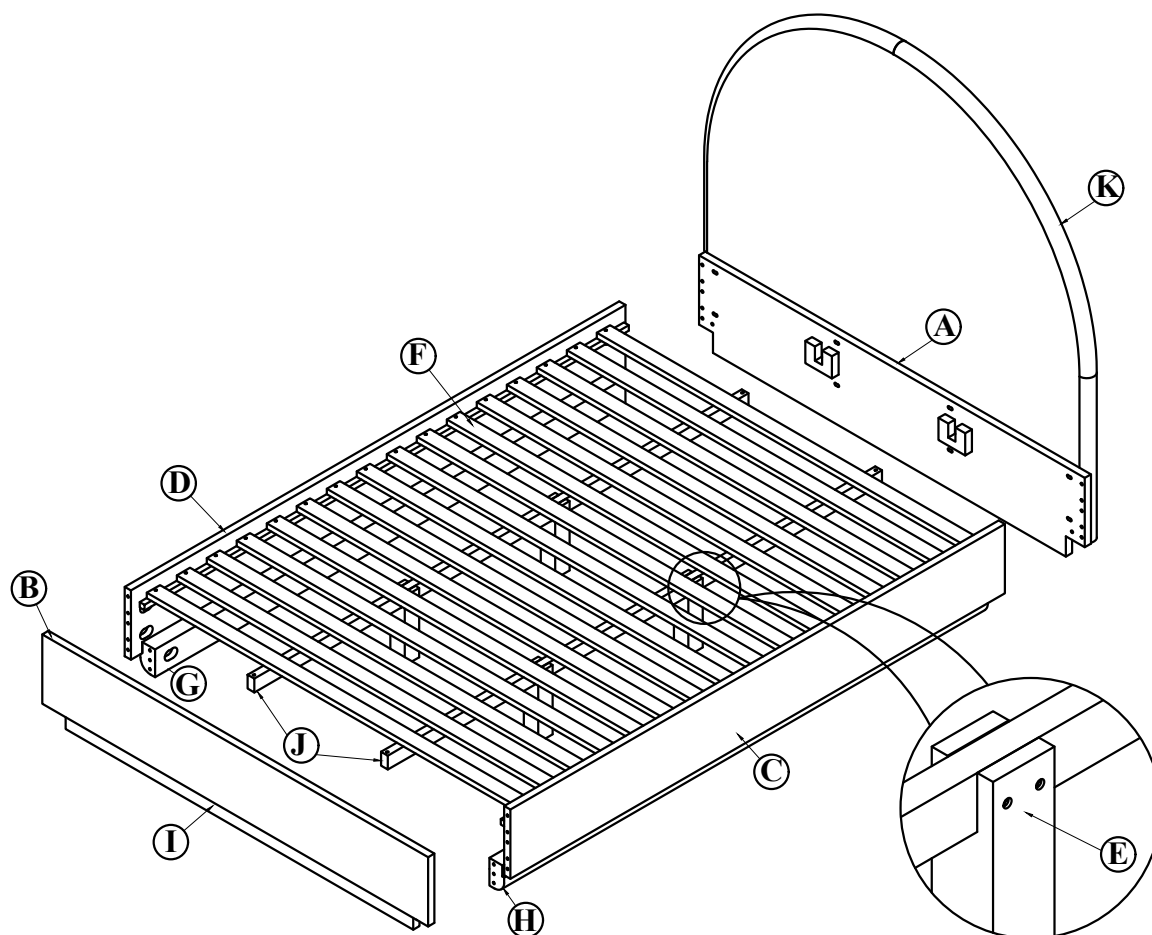




**CAUTION:** PLEASE READ ALL INSTRUCTIONS BEFORE STARTING THE ASSEMBLY OF THIS PRODUCT. THESE PIECES ARE HEAVY. IN ORDER TO PREVENT PERSONAL INJURIES AND ENSURE THAT THIS PRODUCT IS NOT DAMAGED DURING THE ASSEMBLY PROCESS, IT IS STRONGLY RECOMMENDED THAT YOU REQUIRE HELP FROM ONE OR MORE PEOPLE.

**ATTENTION:** VEUILLEZ LIRE TOUTES LES INSTRUCTIONS AVANT DE COMMENCER L'ASSEMBLAGE DE CE PRODUIT. LES DIFFÉRENTES PARTIES SONT LOURDES AFIN DE PARER TOUTE BLESSURE ET D'ÉVITER QUE LE PRODUIT NE SUBISSE DES DOMMAGES. IL EST FORTEMENT RECOMMANDÉ DE DEMANDER DE L'AIDE DE LA PART D'UNE OU PLUSIEURS PERSONNES DURANT L'ASSEMBLAGE.

**CUIDADO:** FAVOR DELEER TODAS LAS INSTRUCCIONES ANTES DE ENSAMBLAR SU PRODUCTO. ESTAS PIEZAS SON PESADAS. PARA PREVENIR HERIDAS PERSONALES Y ASEGURAR QUE SU PRODUCTO NO SEA DAN ADO MIENTRAS ES ENSAMBLADO SE RECOMIENDA LA ASISTENCIA DE UNA O MAUS PERSONAS.

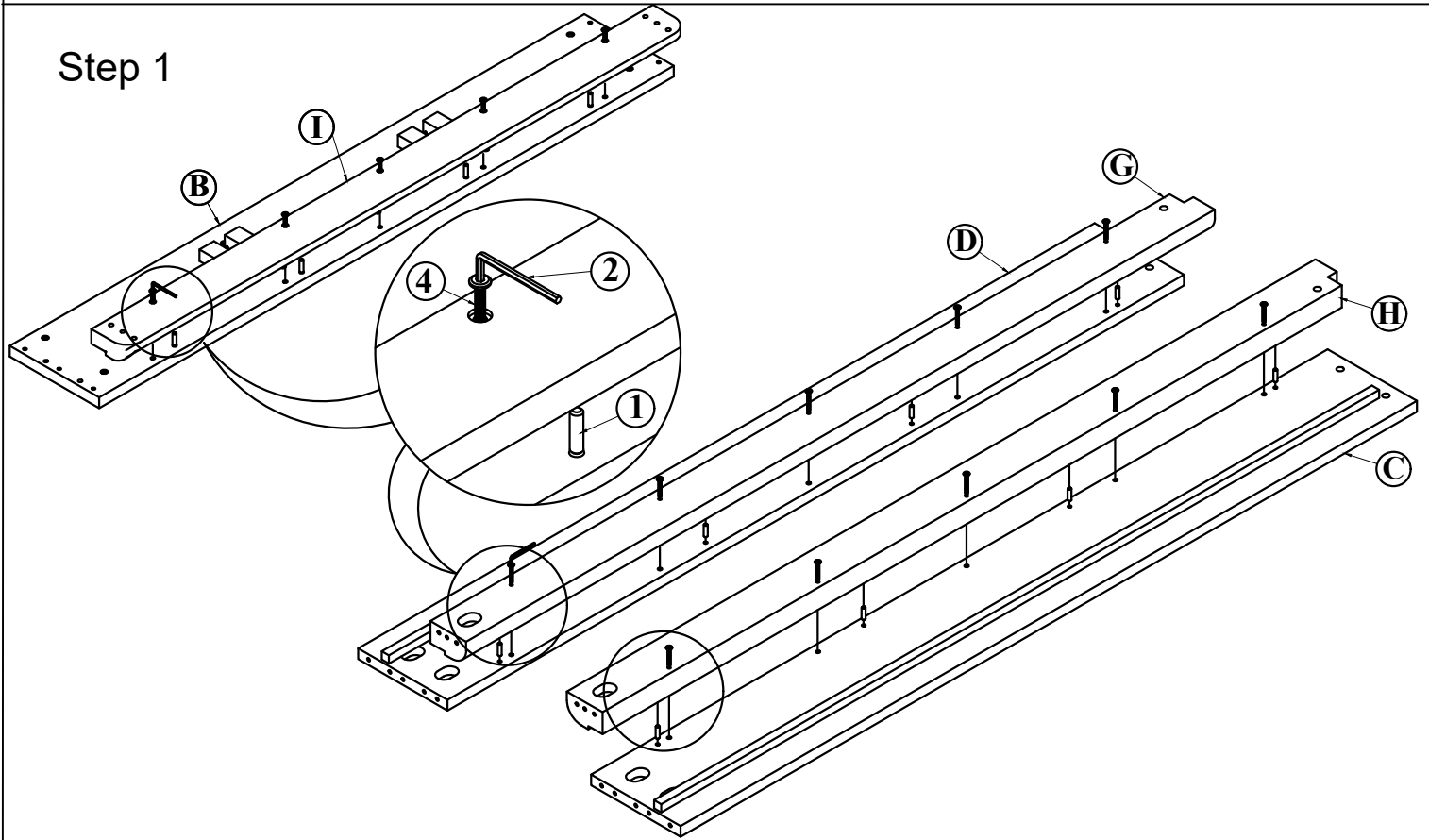


| LIST OF PARTS AND HARDWARE |             |                                     |      |
|----------------------------|-------------|-------------------------------------|------|
| No.                        | Description |                                     | Q'ty |
| A                          |             | BED FRAME                           | 1    |
| B                          |             | FOOTBOARD                           | 1    |
| C                          |             | SIDE RAIL RIGHT                     | 1    |
| D                          |             | SIDE RAIL LEFT                      | 1    |
| E                          |             | SUPPORT LEG WITH BOLT ATTACHED HEAD | 4    |
| F                          |             | MATTRESS SLAT                       | 16   |
| G                          |             | RAIL LEG LEFT                       | 1    |
| H                          |             | RAIL LEG RIGHT                      | 1    |
| I                          |             | RAIL LEG FRONT                      | 1    |
| J                          |             | CENTER RAIL                         | 2    |
| K                          |             | HEADBOARD                           | 1    |

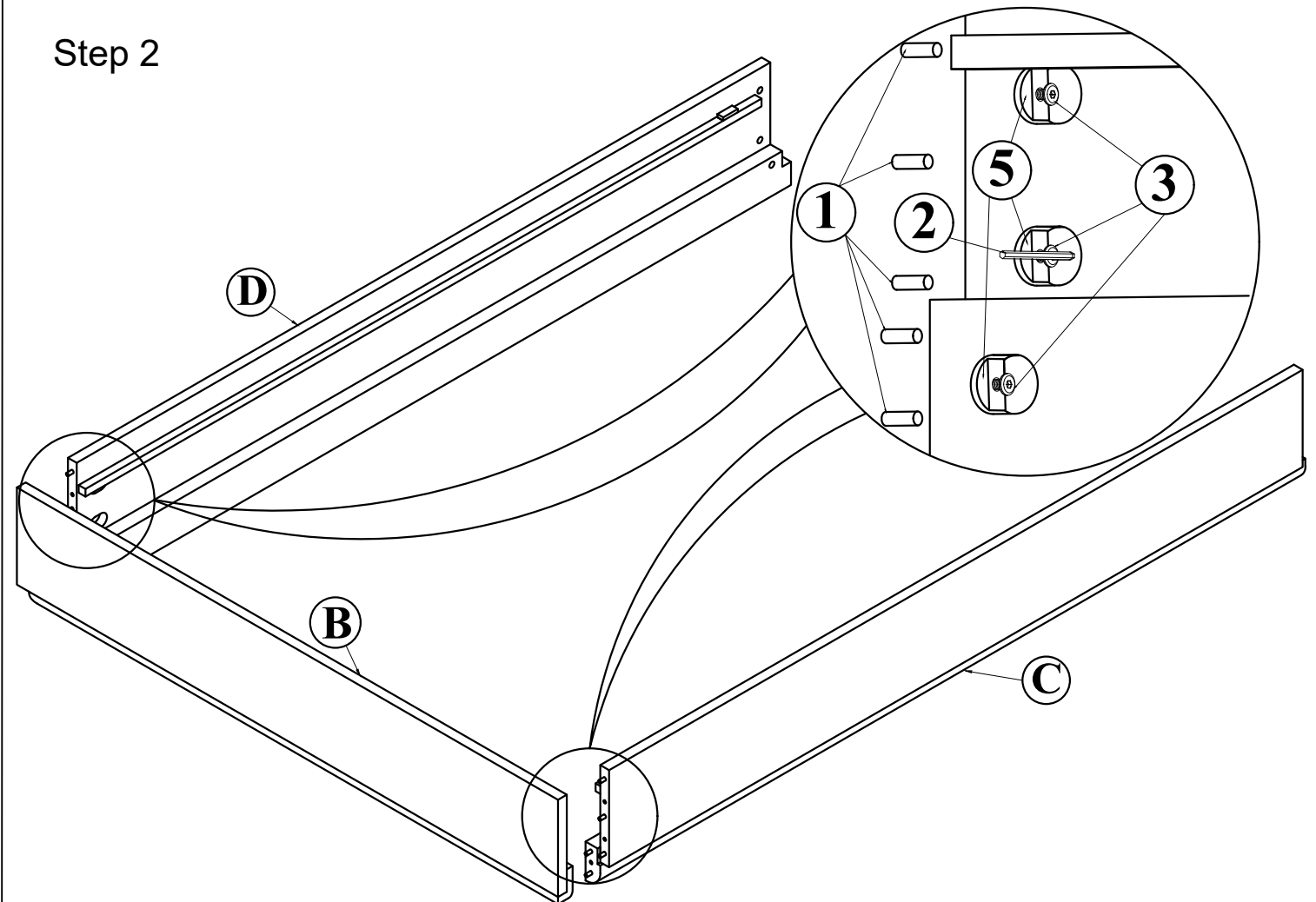
| LIST OF PARTS AND HARDWARE |             |                    |               |      |
|----------------------------|-------------|--------------------|---------------|------|
| No.                        | Description |                    |               | Q'ty |
| 1                          |             | Dowel              | Ø9.6*30       | 28   |
| 2                          |             | Key                | M4            | 1    |
| 3                          |             | Bolt               | M6*60         | 12   |
| 4                          |             | Bolt               | M6*50         | 15   |
| 5                          |             | Half circle washer | 14.5*28*7.3*8 | 6    |
| 6                          |             | Screws             | M4*35         | 40   |
| 7                          |             | Screws             | M4*45         | 4    |
| 8                          |             | Barrel bolt        | M6*13         | 6    |
| 9                          |             | Flat washer        | M8*22         | 8    |
| 10                         |             | Bolt               | M8*60         | 8    |
| 11                         |             | Lock washer        | M8*13         | 8    |



**Step 1**



**Step 2**





LIVING SPACES

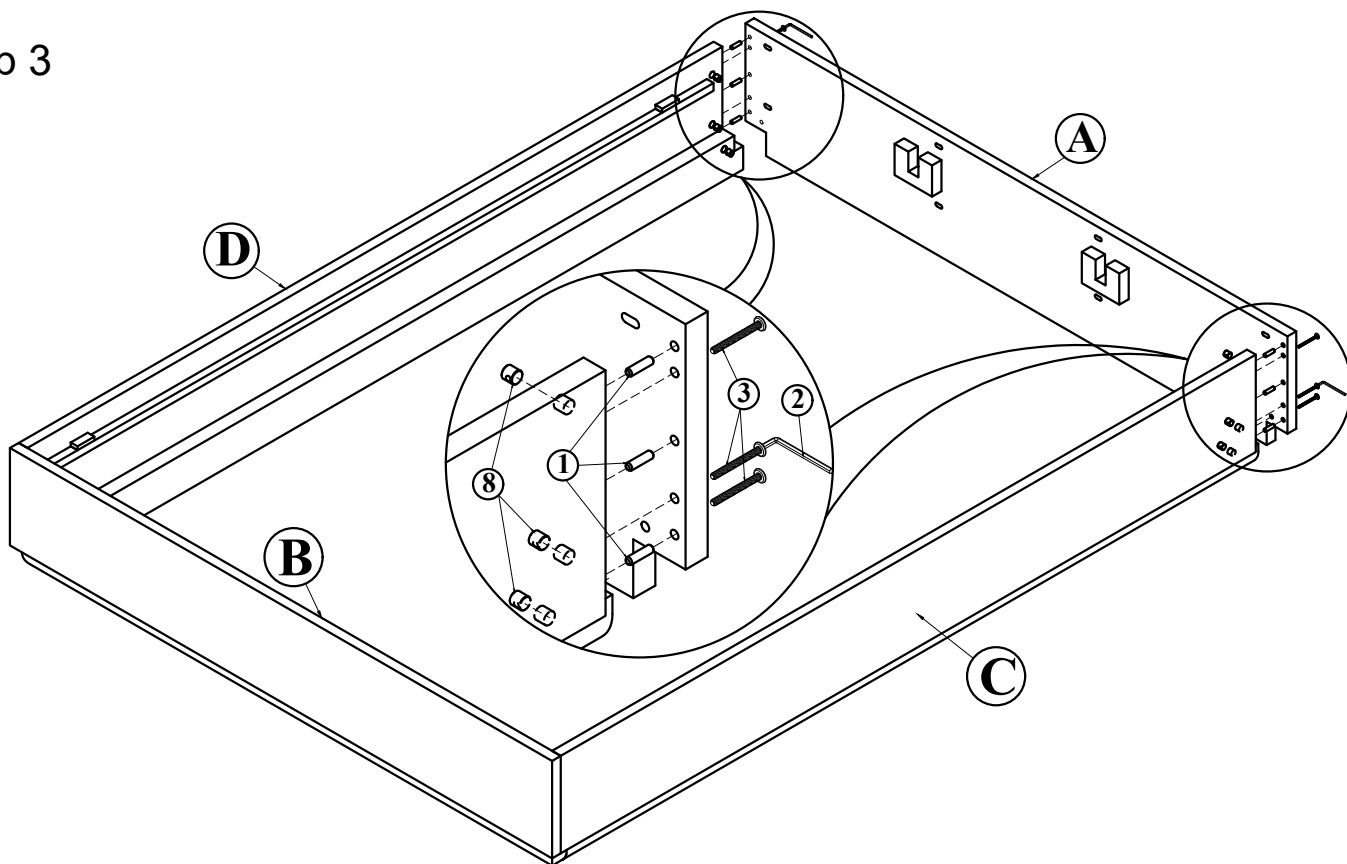
# ASSEMBLY INSTRUCTIONS

## CATANIA KING PLATFORM BED WITH HEADBOARD

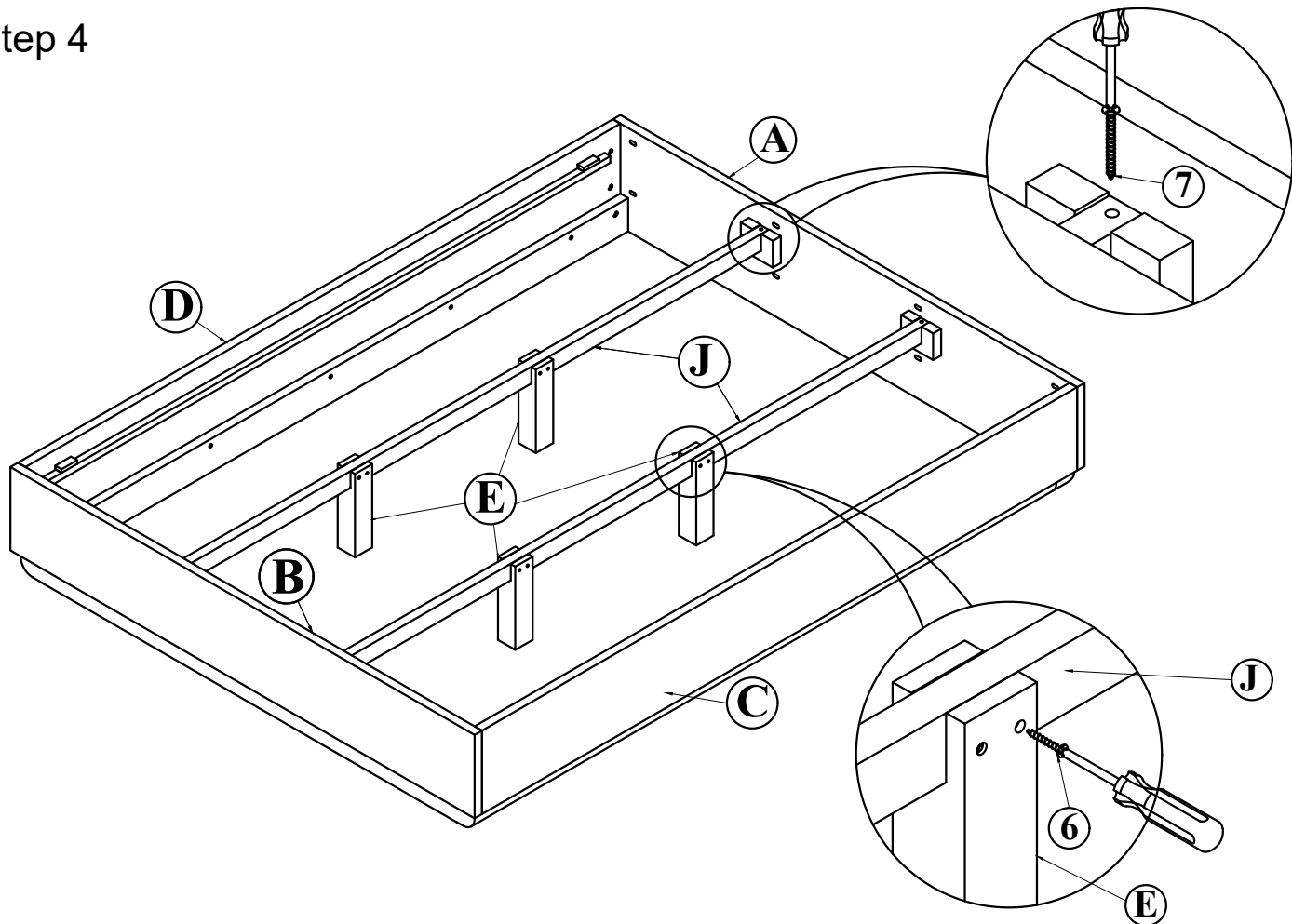
KING PLATFORM LS SKU # 326511  
KING HEADBOARD LS SKU # 326519



### Step 3



### Step 4





LIVING SPACES

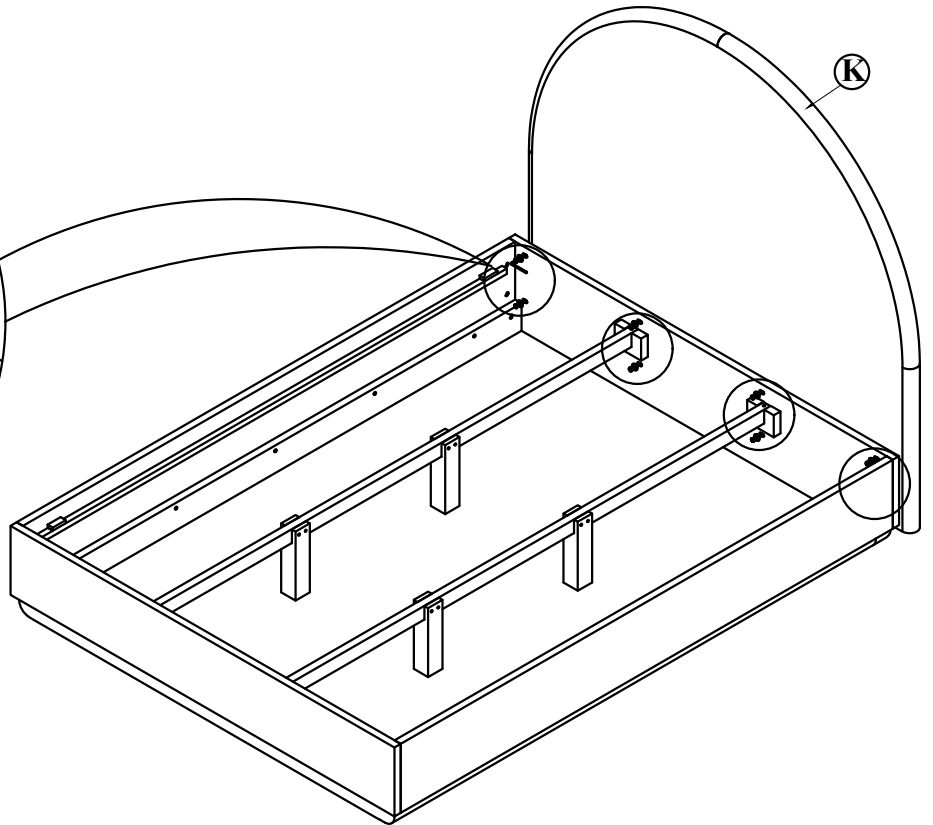
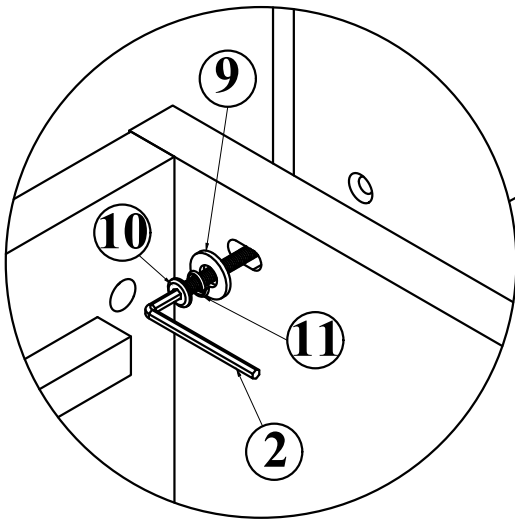
# ASSEMBLY INSTRUCTIONS

## CATANIA KING PLATFORM BED WITH HEADBOARD

KING PLATFORM LS SKU # 326511  
KING HEADBOARD LS SKU # 326519



### Step 5



### Step 6

