



LIVING SPACES

ASSEMBLY INSTRUCTIONS

LUCA FULL LOFT BED

Luca White Full Loft Bed

Luca Blue Full Loft Bed

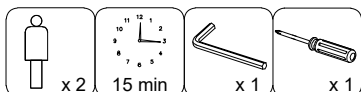
Luca Grey Full Loft Bed

SKU:

337810/337813/337816/337801/337804

337808/337811/337814/337799/337802

337809/337812/337815/337803/337806



PLEASE TAKE TIME TO READ ALL INSTRUCTIONS AND WARNINGS BEFORE BEGINNING ASSEMBLY!

SAFETY WARNING

Our Loft bed, Bunk Beds have been tested by an Independent Laboratory and are certified to be in compliance with:

ASTM F-1427, "Standard Consumer Safety Specification for Bunk Beds" and U.S. Government specifications 16 Code of Federal Regulations, parts 1213 and 1513.

SAFETY WARNINGS

1. Follow the information on the warnings attached to the upper bunk end structure and on the carton. Do not remove this label.
2. Always use the recommended size mattress or mattress support, or both, to help prevent the likelihood of entrapment or falls.
3. Top surface of mattress must be at least **five inches** (127mm) below the upper edge of top guard rails.
4. Do not allow children less than six years of age to use the upper bunk.
5. Periodically, check and ensure that the guardrail, ladder and other components are in their proper position, free from damage and that all connectors are tight.
6. Do not allow horseplay on or under the bed and prohibit jumping on the bed and ladder.
7. Prohibit more than one person on upper bunk.
8. Always use the ladder for entering and leaving the upper bunk. Do not use substitute parts. Contact Living Spaces for replacement parts.
9. Use of a night-light may provide added safety precautions for a child using the upper Bunk.
10. If the loft bed will be placed next to a wall, the guardrail that runs the full length of the bed should be placed against the wall to prevent entrapment between the bed and the wall. (This applies only to bunk beds without two full-length guardrails.)
11. Always use guardrails on both long sides of the upper bunk.
12. The use of water or sleep flotation mattress is expressly prohibited.
13. Keep these instructions for future reference.

STRANGULATION HAZARD

14. Never attach or hang items to any part of the loft bed that are not designed for use with the bed for example, but not limited to hooks, belts and jump ropes.

SIZE OF MATTRESS AND FOUNDATION

- Use only mattress which is 75" long and 53- 53.5" wide for loft bed.
- Ensure thickness of mattress does not exceed 6" and mattress is at least 5" below upper edge of guardrails.

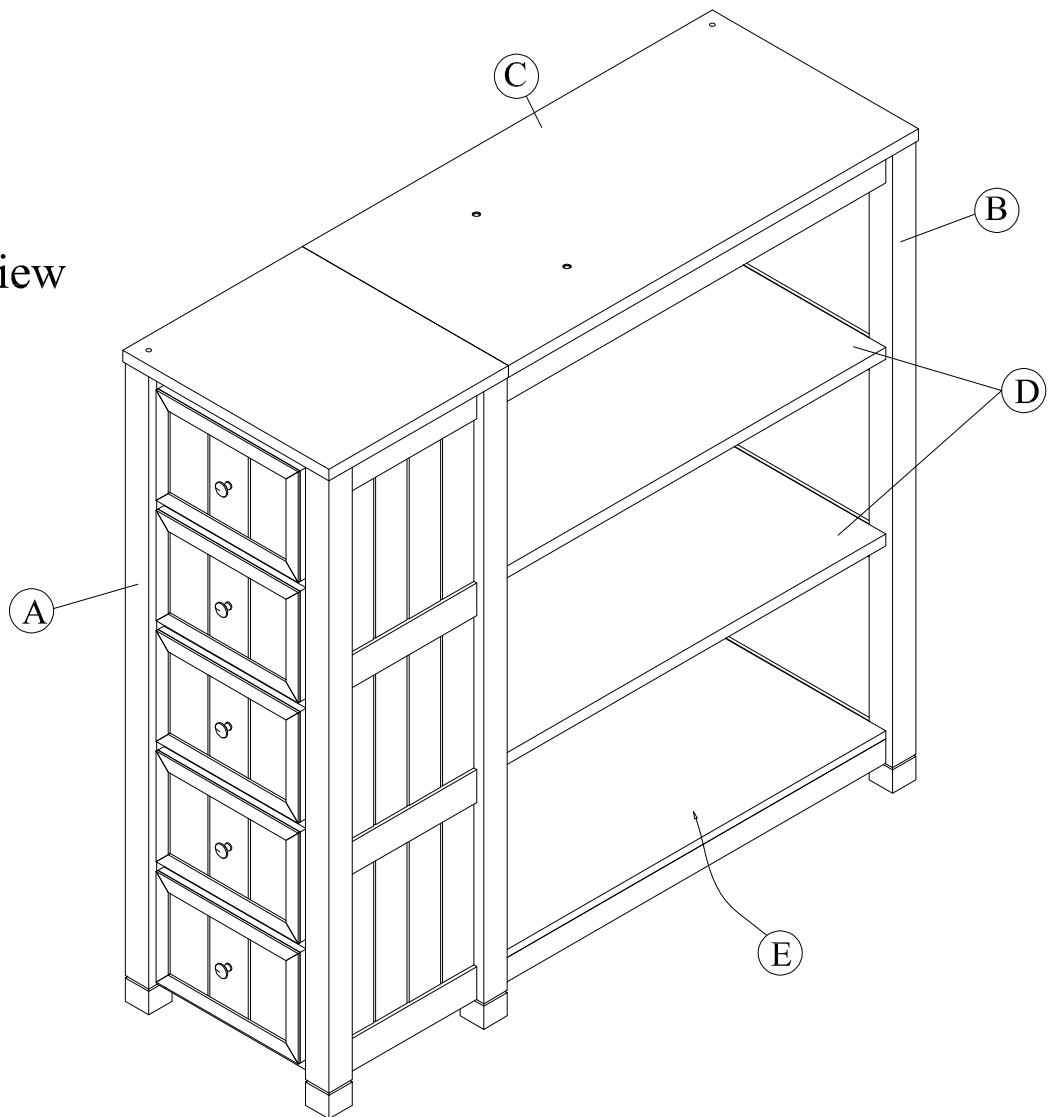
REPLACEMENT PARTS

Replacement parts, including additional guardrails, may be requested from Living Spaces, usually at a cost.

KEEP ALL INSTRUCTIONS INCLUDED WITH YOUR
BEDROOM COMPONENTS FOR FUTURE REFERENCE.

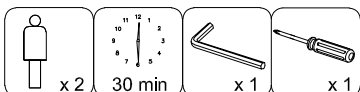
PART 1: Assemble for 5 drawer chest and bookcase

Detail view

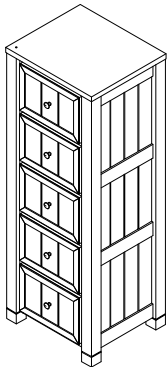


Hardware List

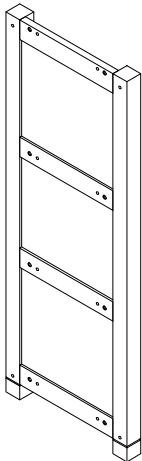
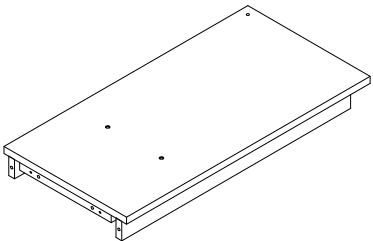
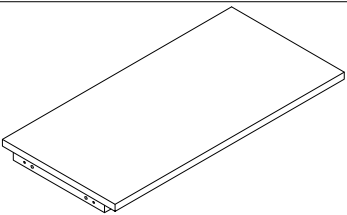
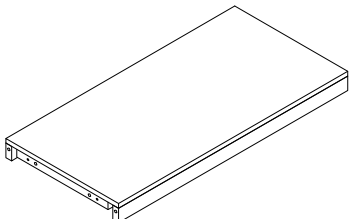
Part	SKU#	IMAGE	DESCRIPTION	QTY
①	LE-3487F-1(16)		Bolts M8*45mm	16
②	LE-3487F-2(24)		Dowel Ø10*30mm	24
③	LE-3487F-3(1)		Allen key 60*22*4mm	1



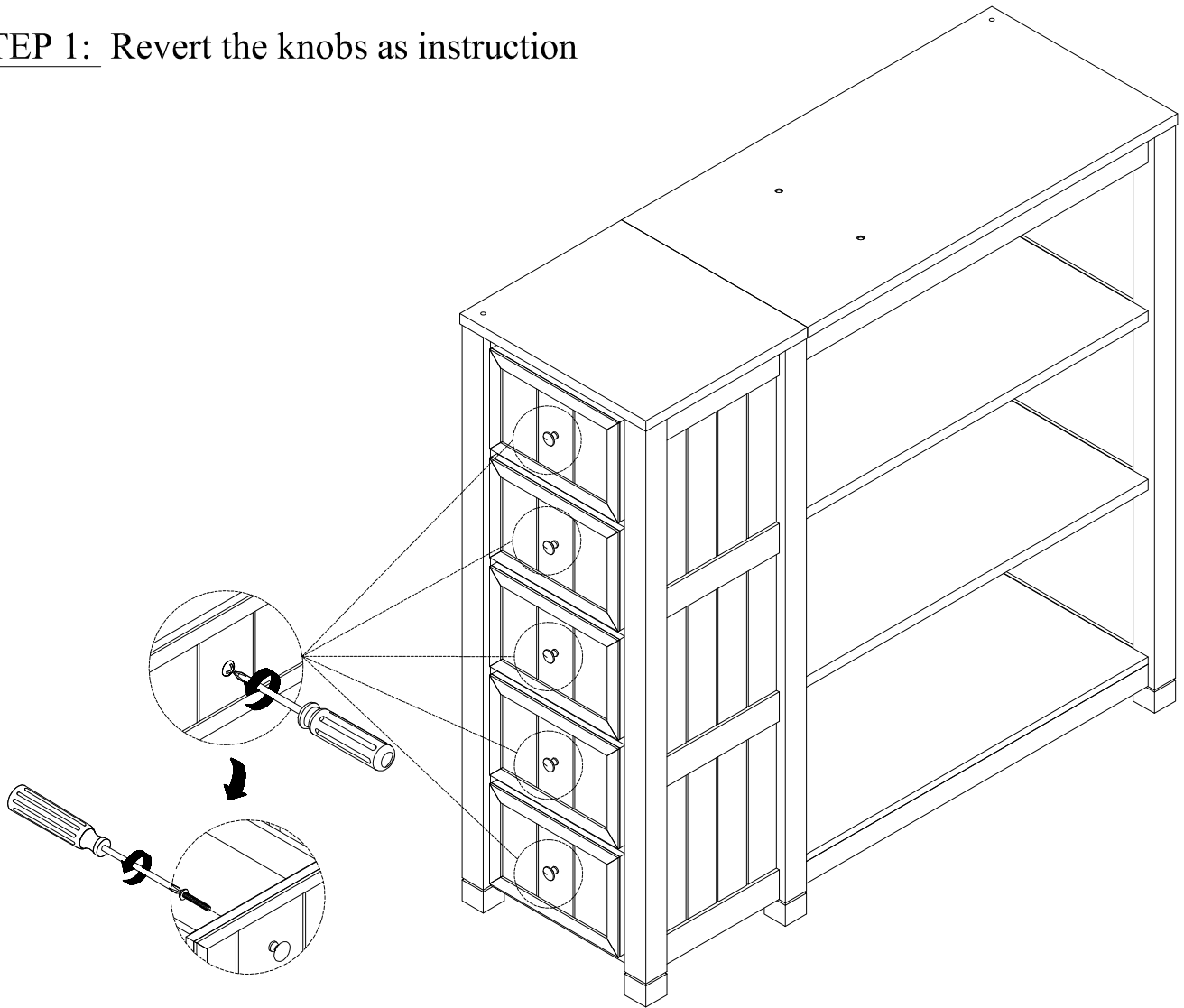
Box : LUCA TW/FL 5-DRAWER CHEST

PART	SKU#	IMAGE	DESCRIPTION	QTY
Ⓐ	337804 337802 337803		5 drawer chest	1

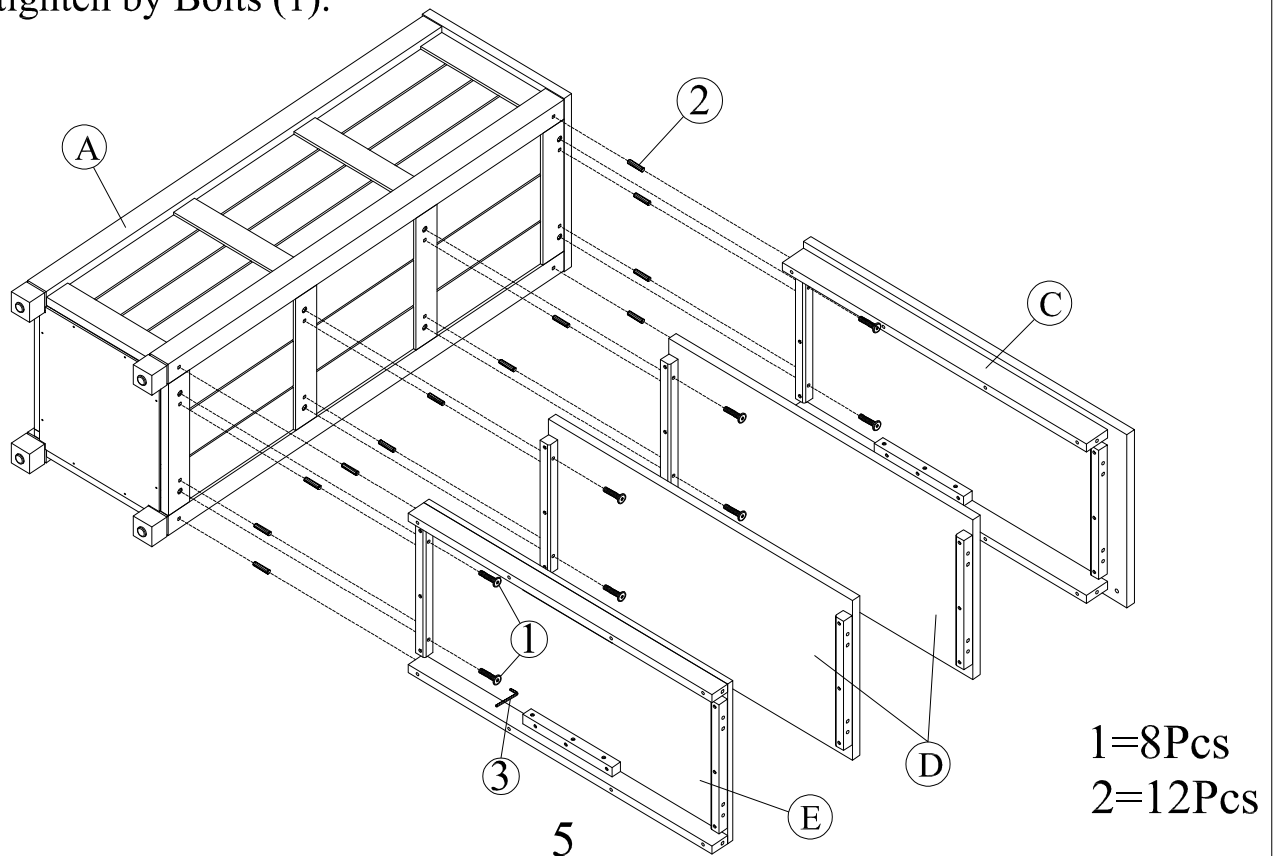
BOX : LUCA FULL BOOKCASE END LOFT BED

Ⓑ	LE-3487F-B-W:(White) LE-3487F-B-B:(Blue) LE-3487F-B-G:(Grey)		Side Panel	1
Ⓒ	LE-3487F-C-W:(White) LE-3487F-C-B:(Blue) LE-3487F-C-G:(Grey)		Shelf Top	1
Ⓓ	LE-3487F-D-W:(White) LE-3487F-D-B:(Blue) LE-3487F-D-G:(Grey)		Shelf Panels	2
Ⓔ	LE-3487F-E-W:(White) LE-3487F-E-B:(Blue) LE-3487F-E-G:(Grey)		Shelf Bottom	1

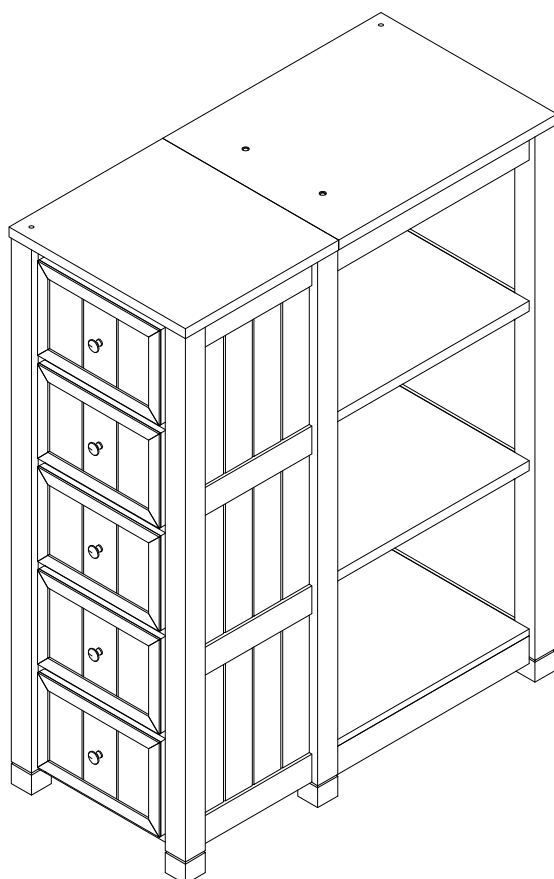
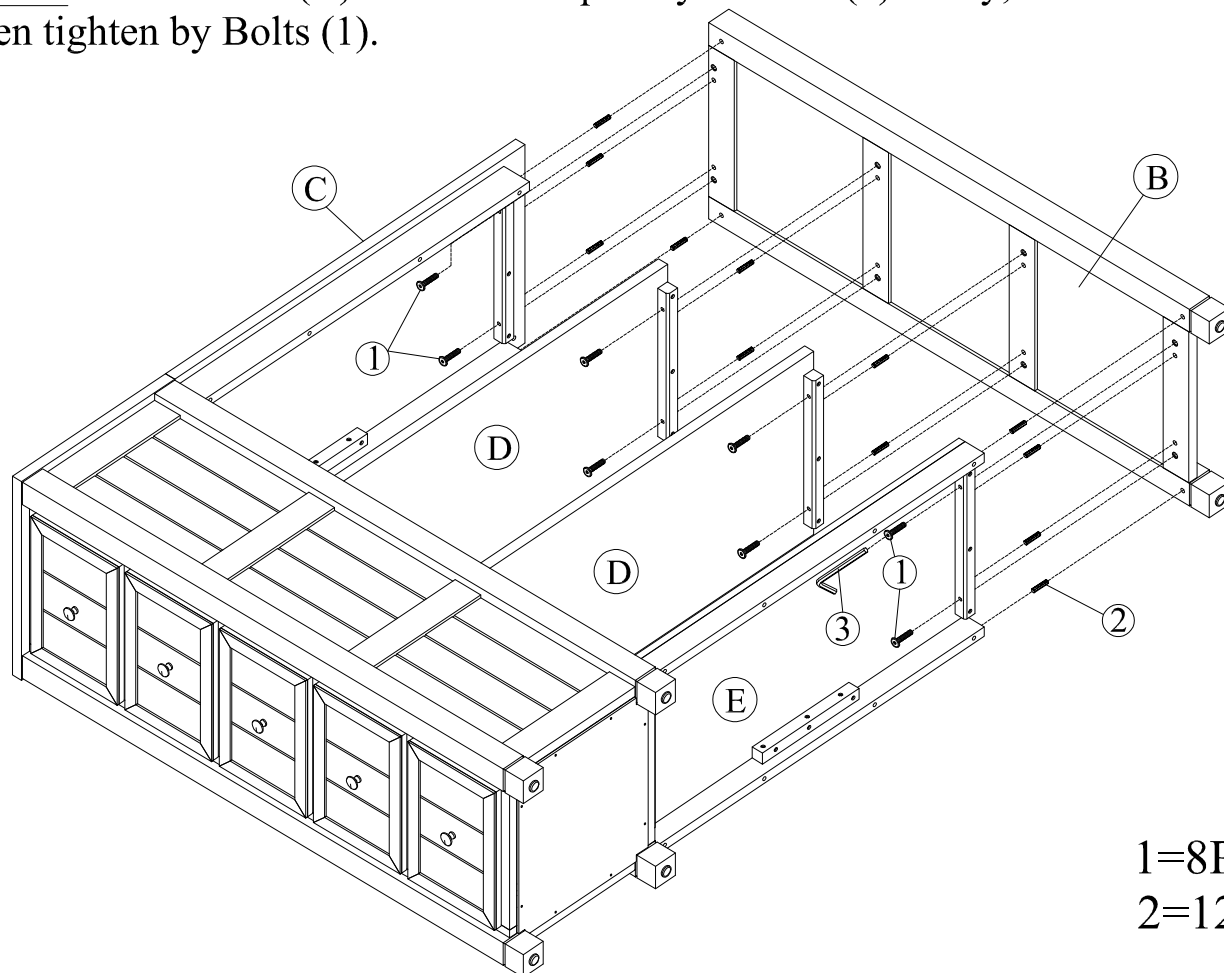
STEP 1: Revert the knobs as instruction



STEP 2: Please locate all parts (C), (D), (E) to (A) by Dowels (2) firstly, and then tighten by Bolts (1).



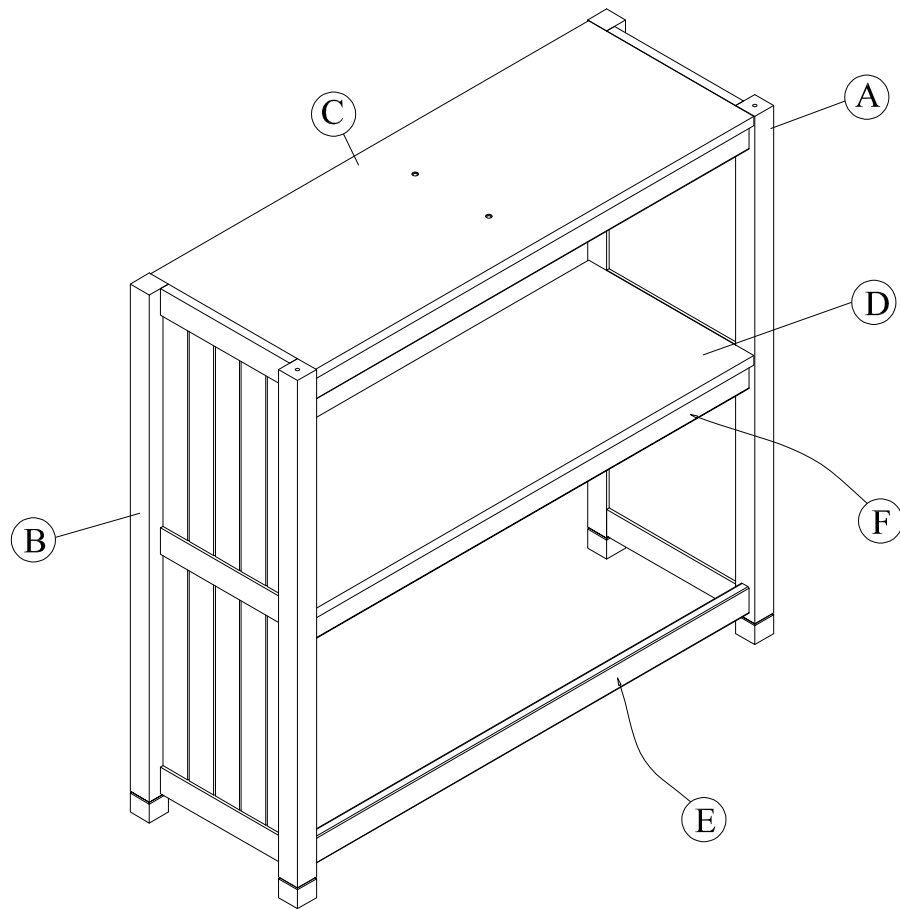
STEP 3: Please locate (B) to the above part by Dowels (2) firstly, and then tighten by Bolts (1).










***That's it ! You've finished 5 drawer chest and bookcase! Please
6 continue assembly the Desk and Shelf (part 2)!***

PART2: Assemble for Desk and Shelf

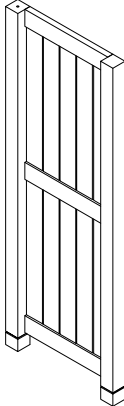
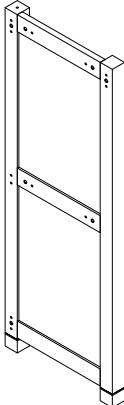
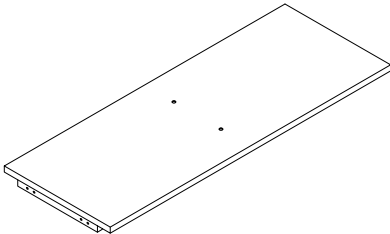
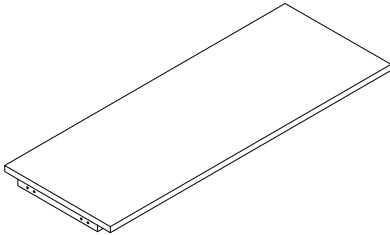
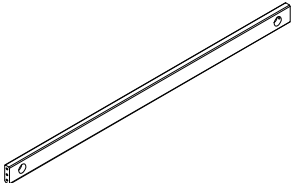
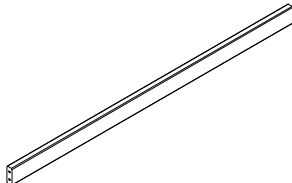
Detail view



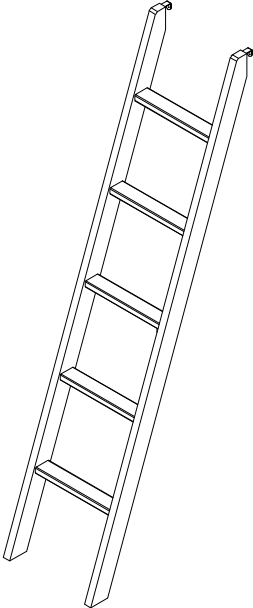
Hardware List

Part	SKU#	IMAGE	DESCRIPTION	QTY
①	LN-2055F-1(6)		Thread M8*75mm	6
②	LN-2055F-2(8)		Bolts M8*45mm	8
③	LN-2055F-3(6)		Half moon washer Φ28*14.5*7.5mm	6
④	LN-2055F-4(6)		Nut M8*12*8mm	6
⑤	LN-2055F-5(24)		Dowel Ø10*30mm	24
⑥	LN-2055F-6(1)		Key 12*90*2mm	1
⑦	LN-2055F-7(1)		Allen key 60*22*4mm	1

BOX: LUCA FL DESK END/SHELF/LADDER LOFT BED

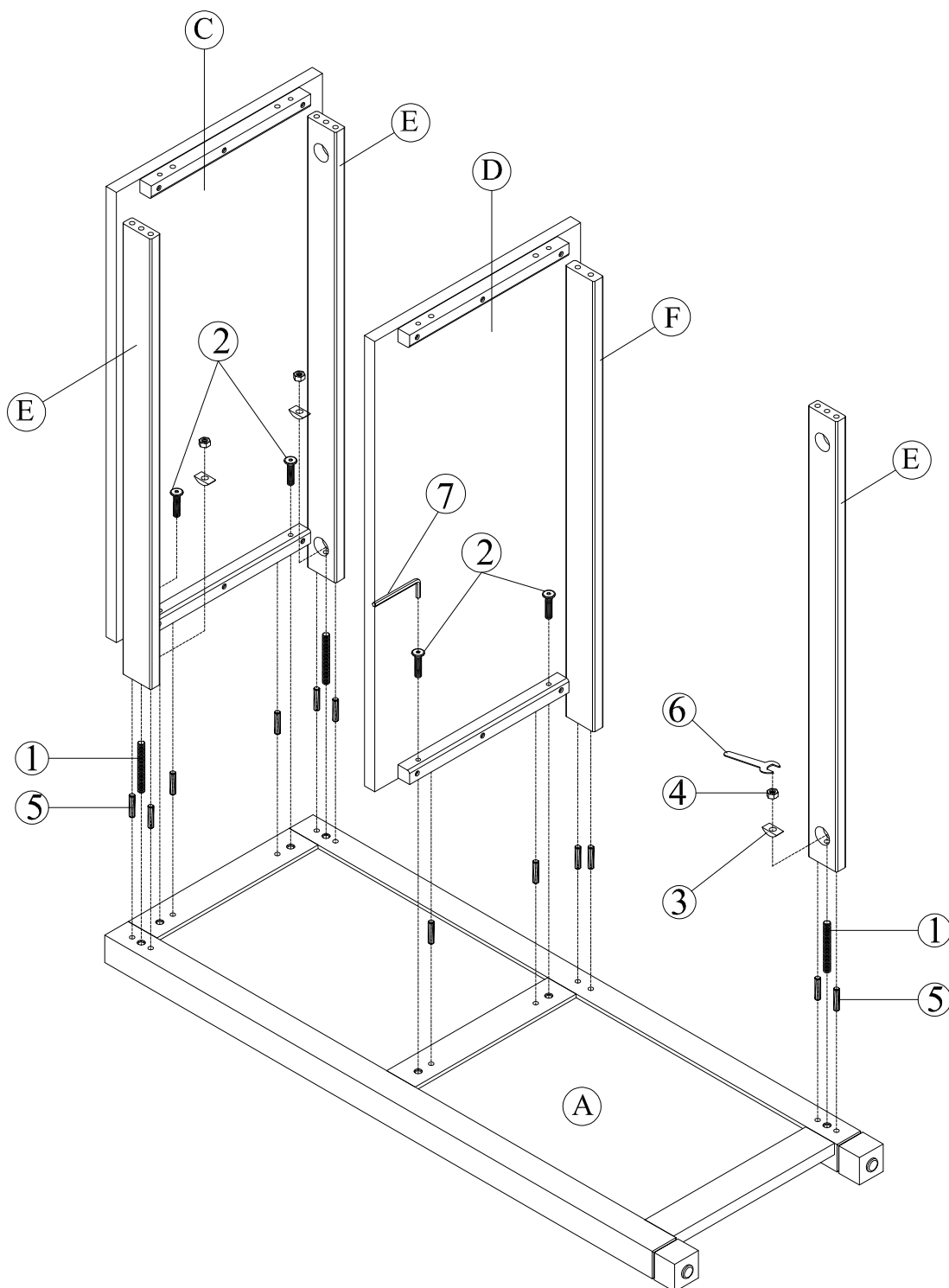
PART	SKU#	IMAGE	DESCRIPTION	QTY
A	LN-2055F-A-W:(White) LN-2055F-A-B:(Blue) LN-2055F-A-G:(Grey)		Right Panel	1
B	LN-2055F-B-W:(White) LN-2055F-B-B:(Blue) LN-2055F-B-G:(Grey)		Left Panel	1
C	LN-2055F-C-W:(White) LN-2055F-C-B:(Blue) LN-2055F-C-G:(Grey)		Shelf Top	1
D	LN-2055F-D-W:(White) LN-2055F-D-B:(Blue) LN-2055F-D-G:(Grey)		Center Shelf Panel	1
E	LN-2055F-E-W:(White) LN-2055F-E-B:(Blue) LN-2055F-E-G:(Grey)		Bars (with big hole)	3
F	LN-2055F-F-W:(White) LN-2055F-F-B:(Blue) LN-2055F-F-G:(Grey)		Support bar	1

BOX: LUCA FL DESK END/SHELF/LADDER LOFT BED

PART	SKU#	IMAGE	DESCRIPTION	QTY
M	LN-2055F-M-W:(White) LN-2055F-M-B:(Blue) LN-2055F-M-G:(Grey)		Ladder	1

STEP 1: Assembly for Right Panel (A):

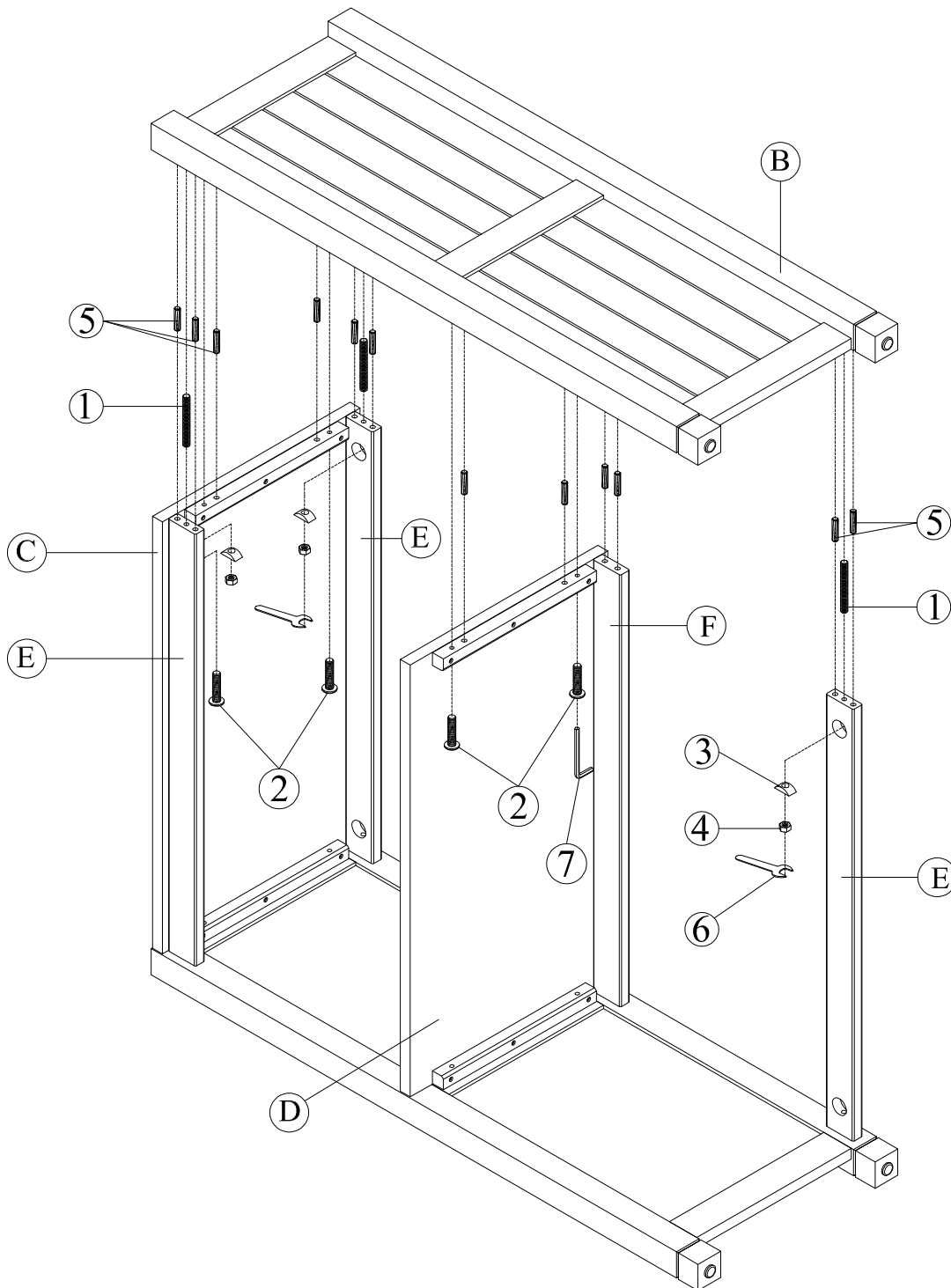
- 1.1: Please put wood dowels (5) to Right Panel (A) into corresponding holes.
- 1.2: Then insert the thread (1) to Right Panel (A)
- 1.3: Attach the shelves (C,D) and Bars (E, F)
- 1.4: Fasten the Shelves (C,D) by Bolts(2)
- 1.5: Fasten Bars (E, F) by Haft moon washers (3+4).



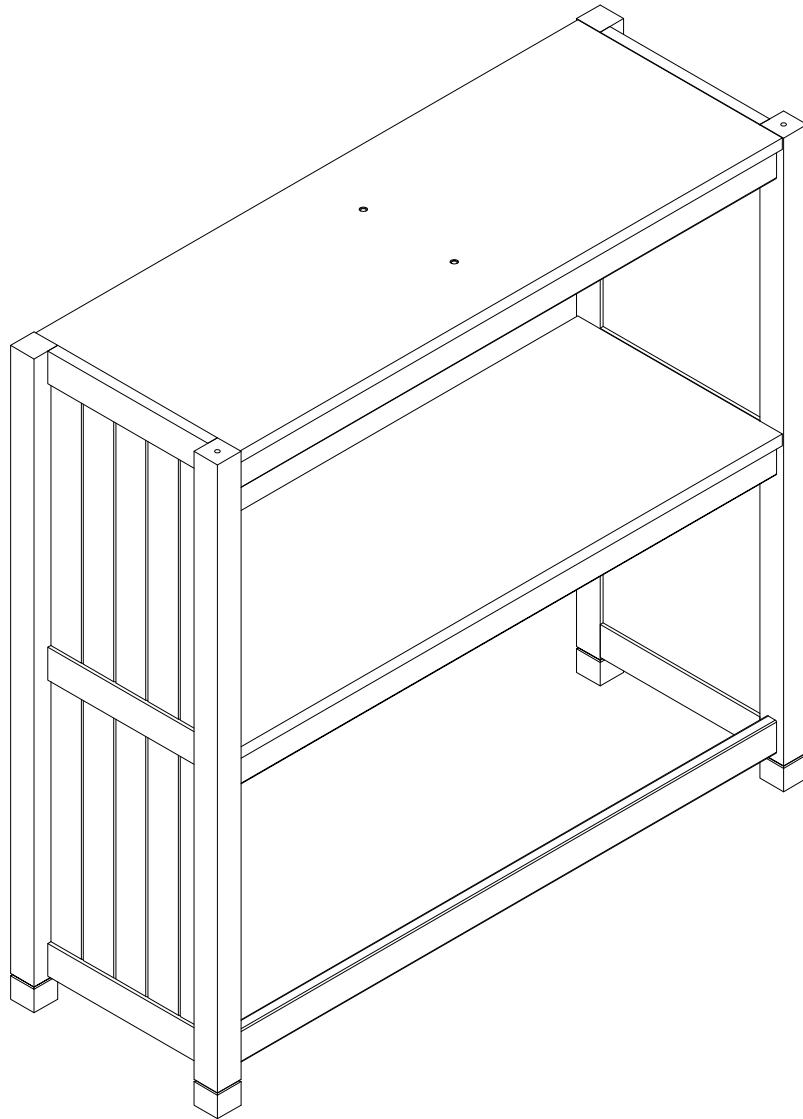
- 1=3Pcs
- 2=4Pcs
- 3=3Pcs
- 4=3Pcs
- 5=12Pcs

STEP 2: Assembly for Left Panel (B):

- 2.1: Locate by dowels (5) into corresponding holes on parts (C,D,E,F).
- 2.2: Then insert the thread (1) to Left Panel (B)
- 2.3: Fasten the Shelves (C,D) by Bolts(2)
- 2.4: Fasten Bars (E, F) by Haft moon washers (3+4).



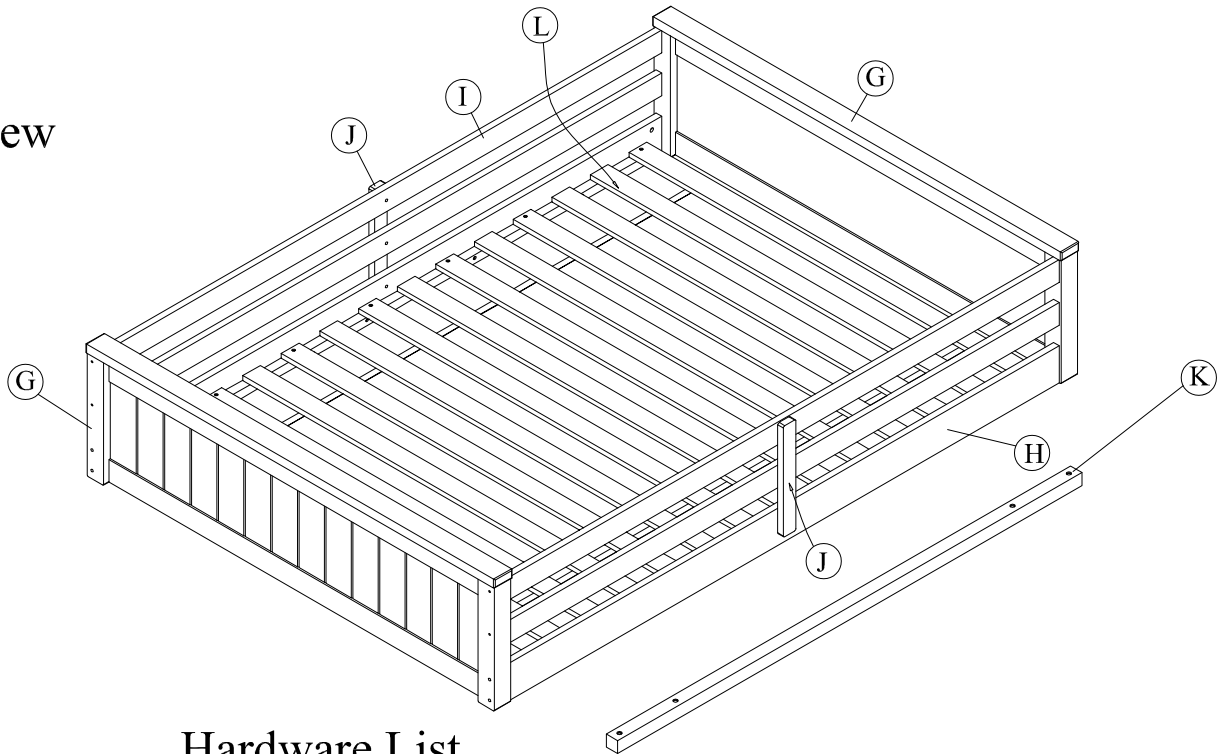
1=3Pcs
2=4Pcs
3=3Pcs
4=3Pcs
5=12Pcs



***That's it ! You've finished the desk
and shelf! Please continue assembly the bed then!***

PART 3: Assemble for Bed

Detail view



Hardware List

Part	SKU#	IMAGE	DESCRIPTION	QTY
⑧	LN-2055F-8(8)		Bolt and nut M8*105mm	8
⑨	LN-2055F-9(6)		Bolts M8*35mm	6
⑩	LN-2055F-10(4)		Bolts M8*60mm	4
⑪	LN-2055F-11(8)		Screws Ø6.5* 95 mm	8
⑫	LN-2055F-12(12)		Dowel Ø8*40mm	12
⑬	LN-2055F-13(14)		Screws 8#*30mm	14
⑭	LN-2055F-14(4)		Metal dowel Ø10*100mm	4
⑮	LN-2055F-15(2)		Screws 6#*15mm	2
⑦	LN-2055F-7(1)		Allen key 60*22*4mm	1

Note: Screwdriver will be prepared by yourself.

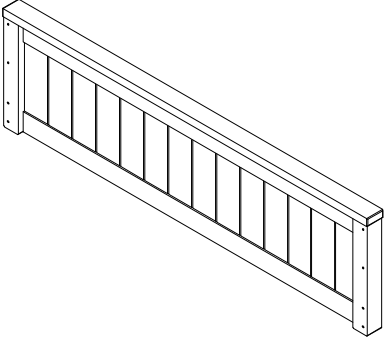
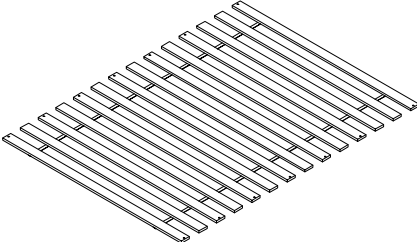
THE HARDWARE IS LOCATED IN THE PACKING ITEM

NOTE: MUST TIGHTEN SCREWS PERIODIACLLY. WITH USE SCREW MAY ENCOME LOOSE CHECK TIGHTNESS OF ALL SCREWS EVERY 6-8 WEEKS.

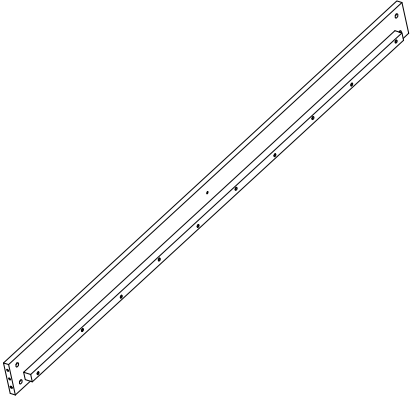
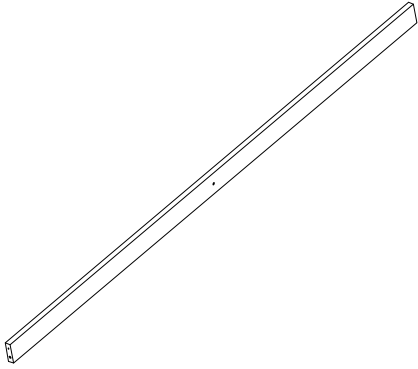
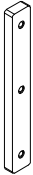
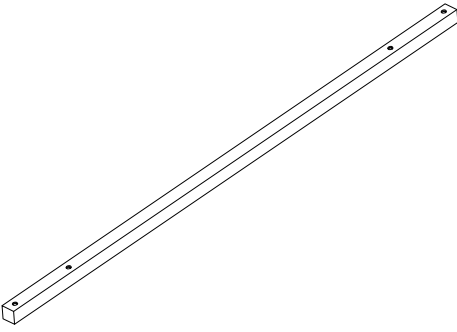
CLEANING INSTRUCTIONS:

After assembly, clean and polish the completed parts if necessary with soft cloth and industrial recognized furniture polish.

BOX: LUCA FL HEADBOARD/FOOTBOARD/SLATS LOFT BED

PART	SKU#	IMAGE	DESCRIPTION	QTY
<p align="center">ⓐ</p>	<p>LN-2055F-G-W:(White) LN-2055F-G-B:(Blue) LN-2055F-G-G:(Grey)</p>		<p align="center">Upper Ends</p>	<p align="center">2</p>
<p align="center">Ⓛ</p>	<p align="center">LN-2055F-L</p>		<p align="center">Slats</p>	<p align="center">1</p>

BOX: LUCA TW/FL SIDE/GUARD RAILS LOFT BED

PART	SKU#	IMAGE	DESCRIPTION	QTY
<p align="center">Ⓜ</p>	LN-2055F-H-W:(White) LN-2055F-H-B:(Blue) LN-2055F-H-G:(Grey)		<p align="center">Rails</p>	<p align="center">2</p>
<p align="center">Ⓜ</p>	LN-2055F-I-W:(White) LN-2055F-I-B:(Blue) LN-2055F-I-G:(Grey)		<p align="center">Guard rails</p>	<p align="center">4</p>
<p align="center">Ⓜ</p>	LN-2055F-J-W:(White) LN-2055F-J-B:(Blue) LN-2055F-J-G:(Grey)		<p align="center">Guard rail supports</p>	<p align="center">2</p>
<p align="center">Ⓜ</p>	LN-2055F-K		<p align="center">Slat support</p>	<p align="center">1</p>

STEP 1:

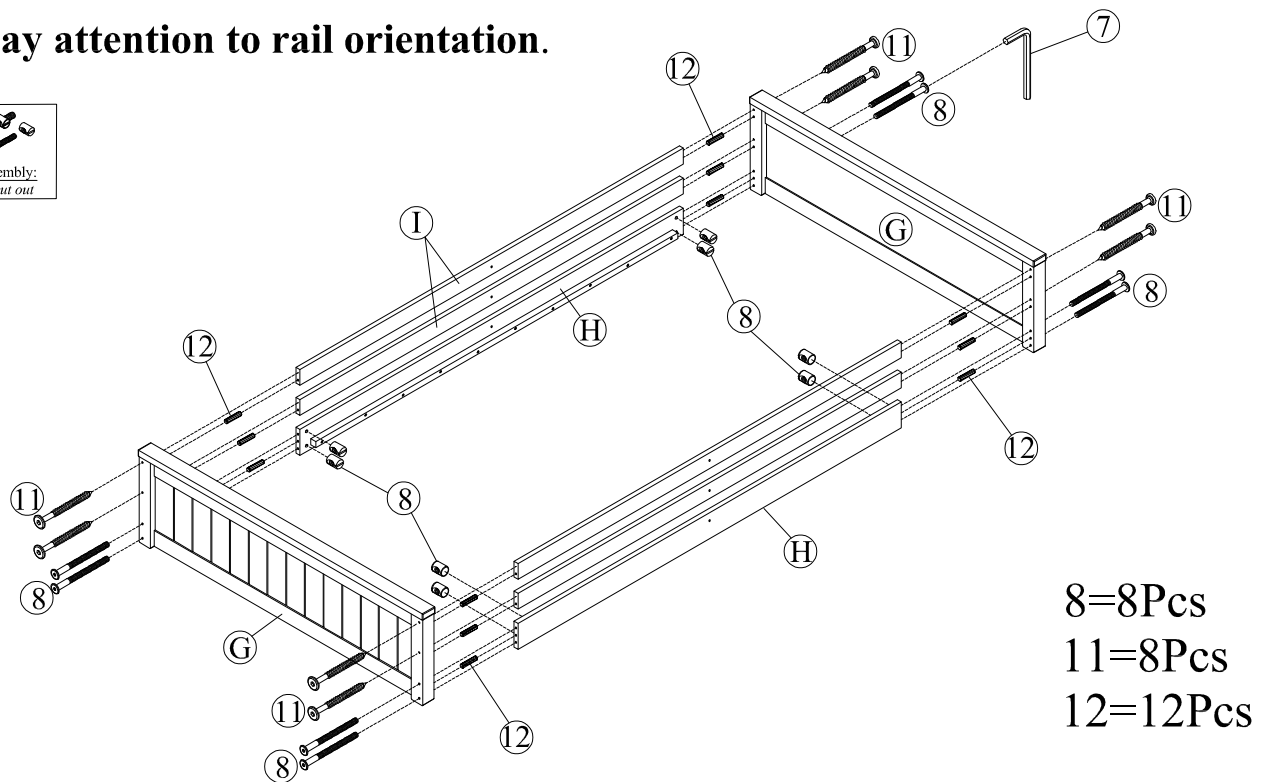
* Assembly Rails (H):

Please locate two rails (H) to Ends (G) by Dowels (12) firstly, and then fasten gradually by Bolt+nut (8) BUT NO TIGHTEN.

* Assembly Guard Rail (I):

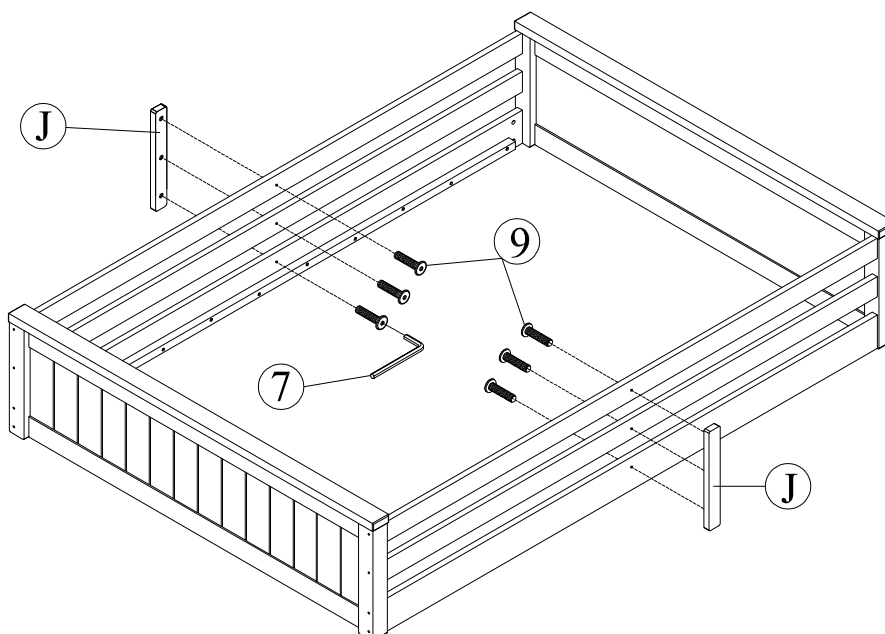
Please locate Guard rails (I) to Ends (G) by Dowels (12) firstly, and then fasten gradually by Bolts (11).

⚠ Pay attention to rail orientation.



STEP 2:

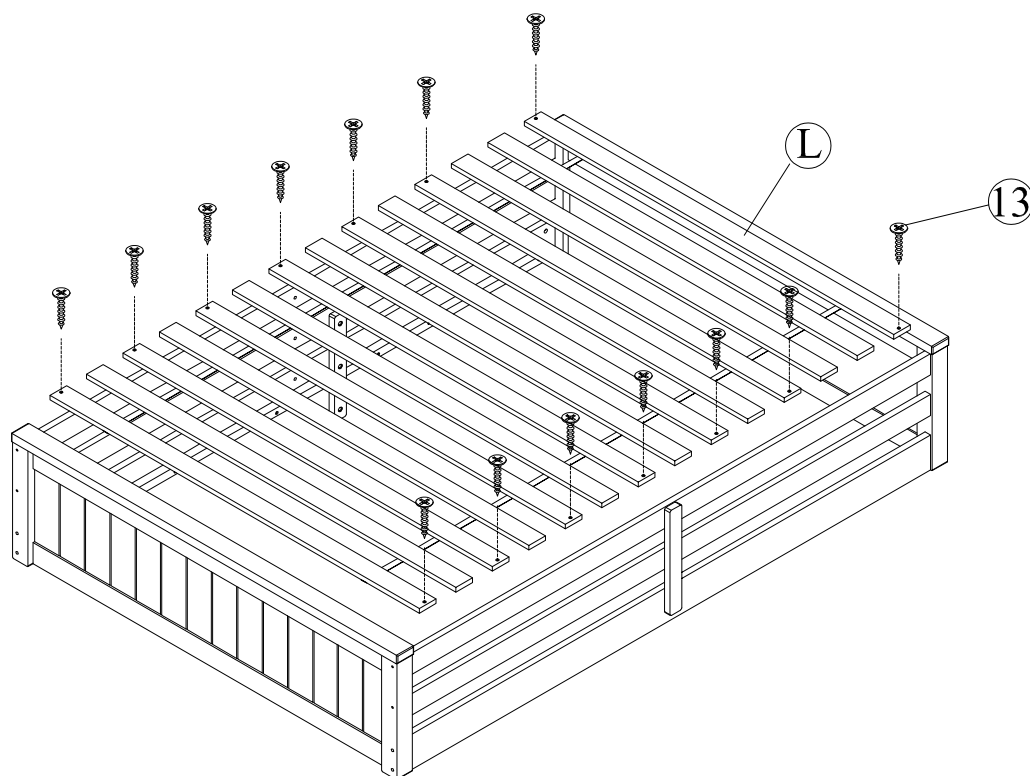
Assemble the Guard Rail Supports (J) to bed frame by Bolts (9).



9=6Pcs

STEP 3:

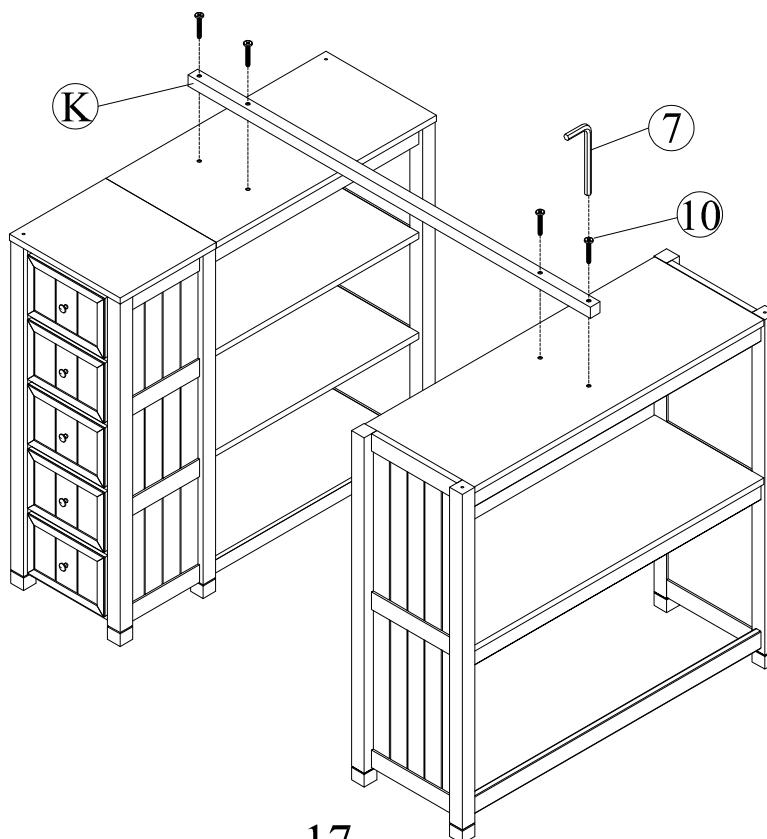
Please fasten slats (L) by screws (13) into corresponding holes.



13=14Pcs

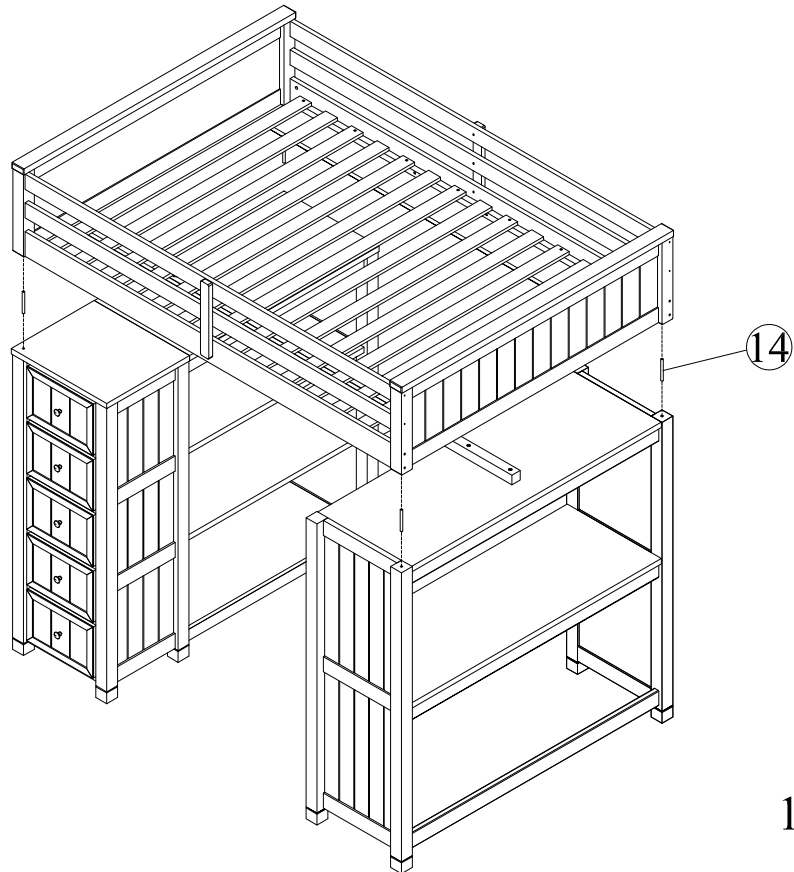
STEP 4:

Attach the slat support (K) to Drawer Chest, shelf and fasten by Bolts (10).



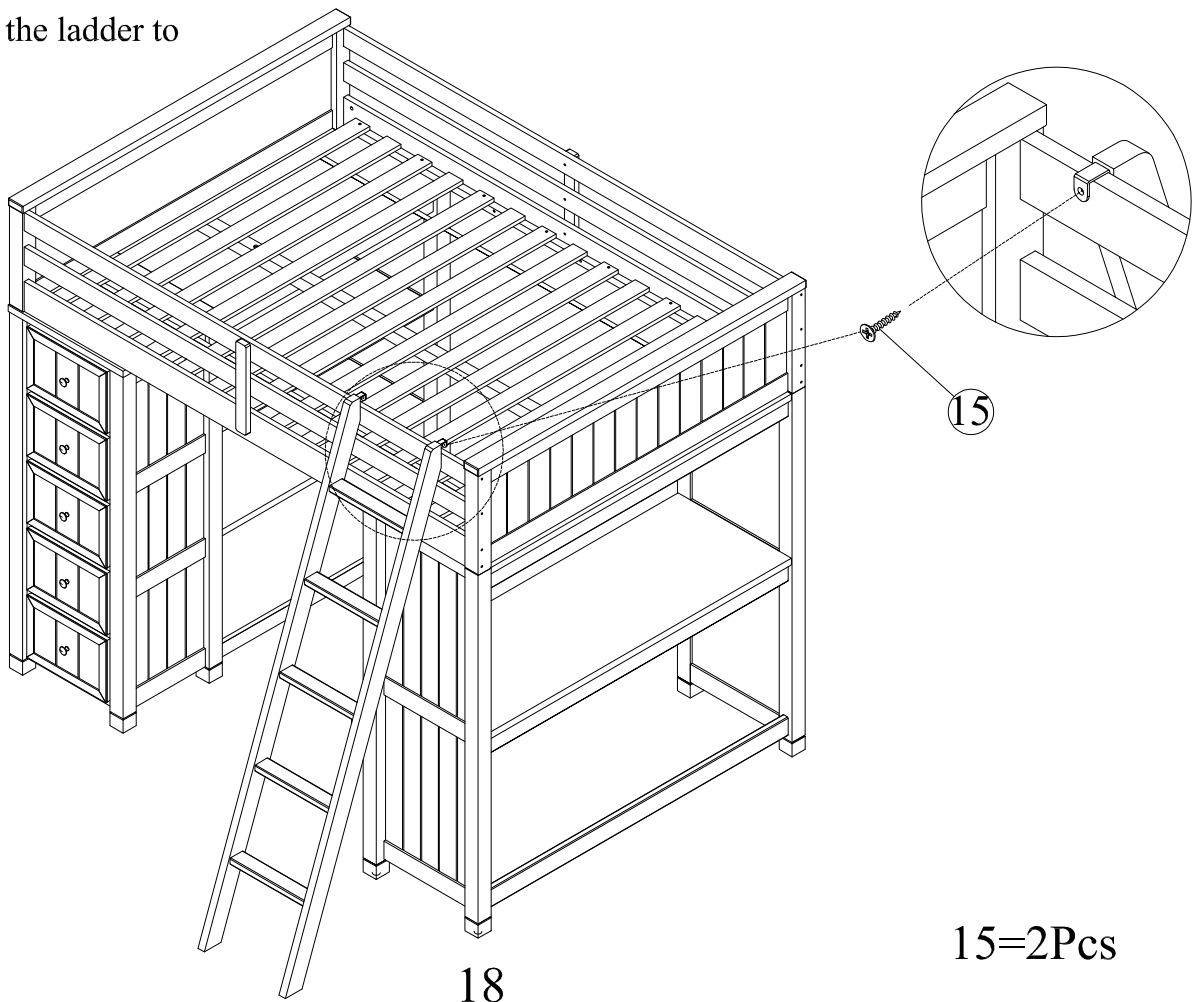
10=4Pcs

STEP 5: Assemble the bed frame to Drawer Chest and Shelf by Metal pins (14).



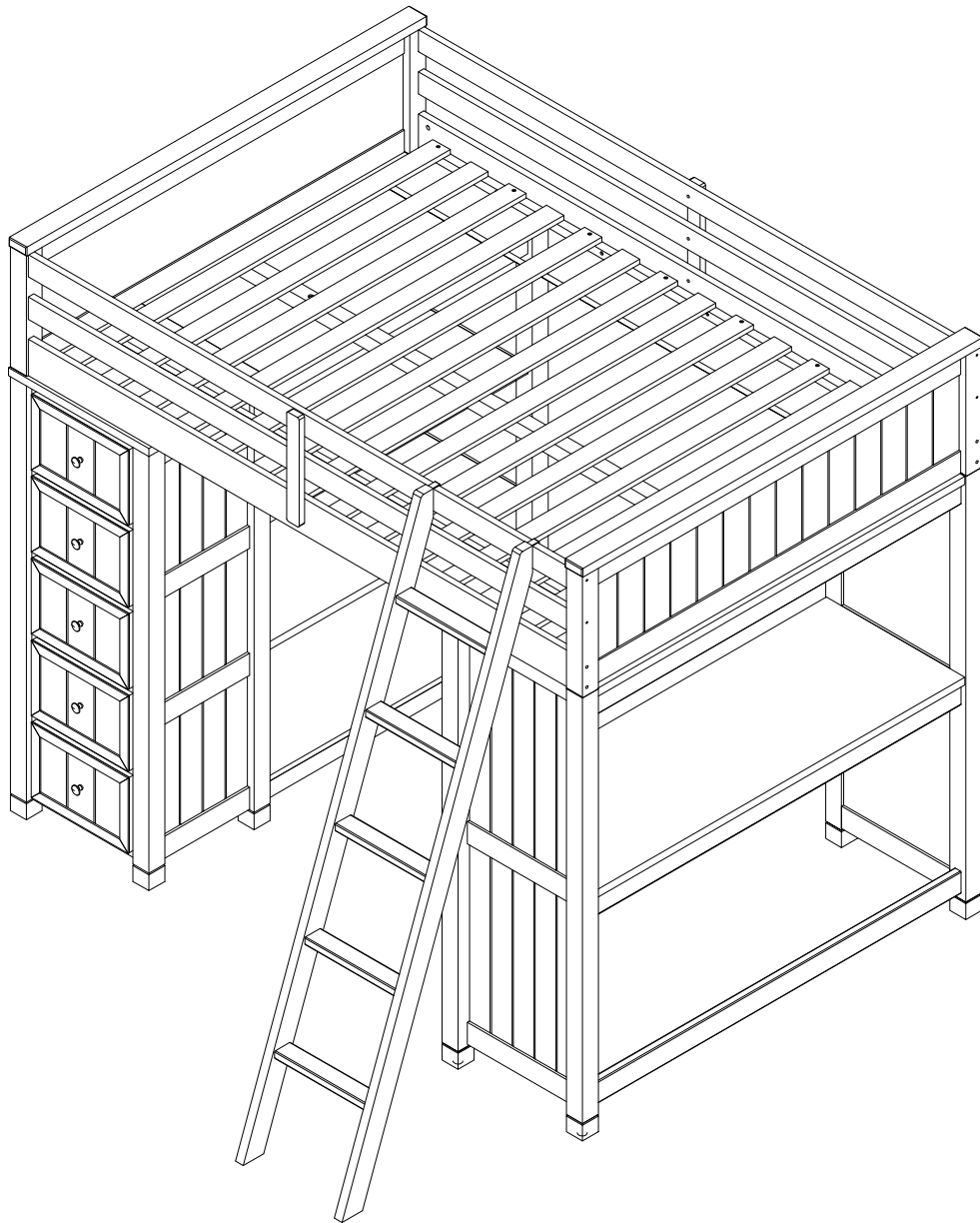
14=4Pcs

Step 6: Attaching the ladder to Guard rail by Screws (15)



15=2Pcs

18



*That's it ! You've finished
assembling your item. Thank you!*