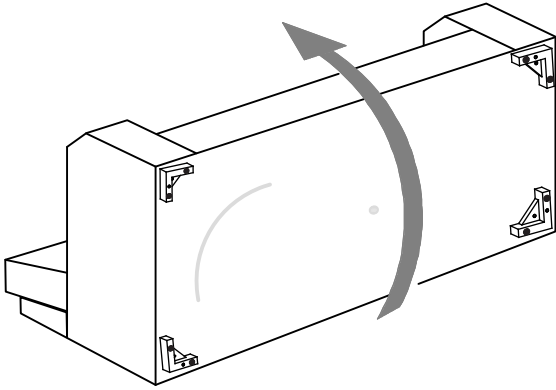


# Leg Assembly Instructions

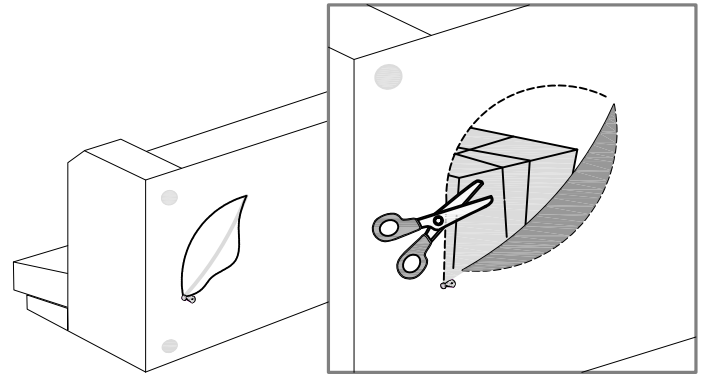
Made in China

**STEP**  
**1**



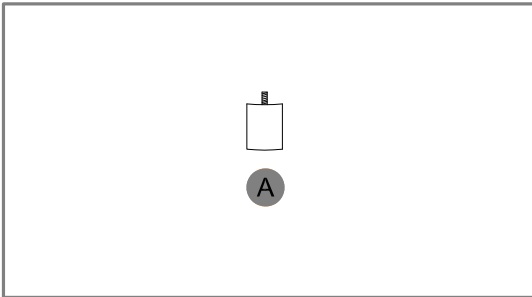
**STEP**  
**2**

Unzip the storage compartment, cut the strap and remove the package

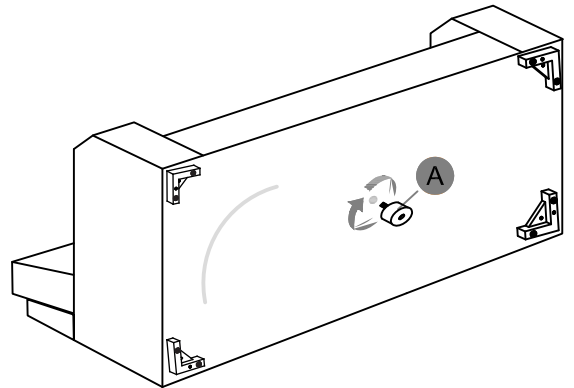


**STEP**  
**3**

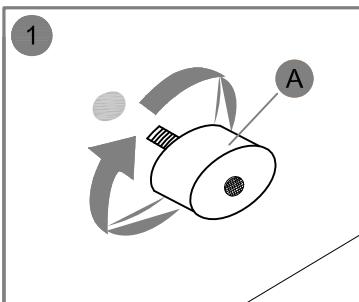
Unpack the parts package.



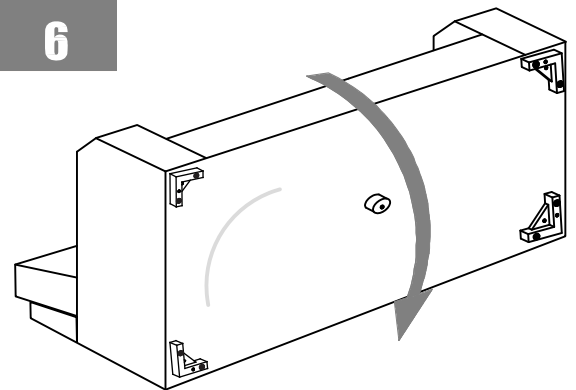
**STEP**  
**4**



**STEP**  
**5**



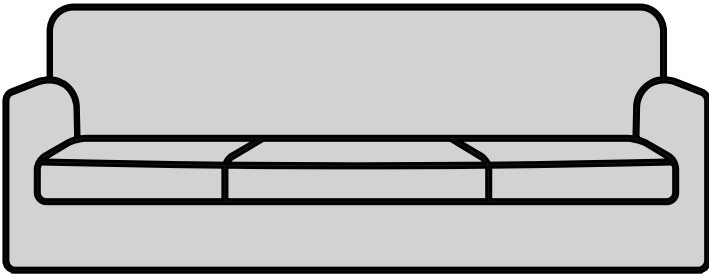
**STEP**  
**6**



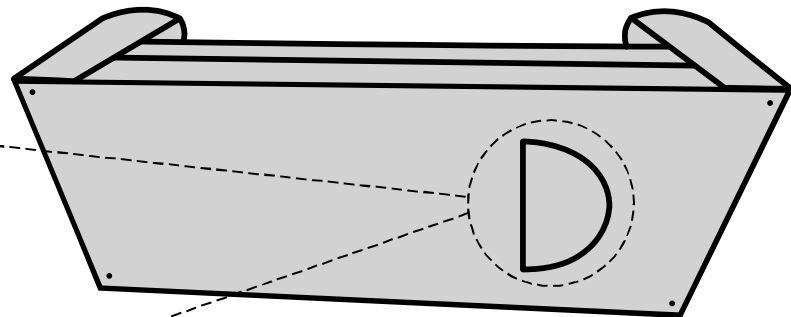
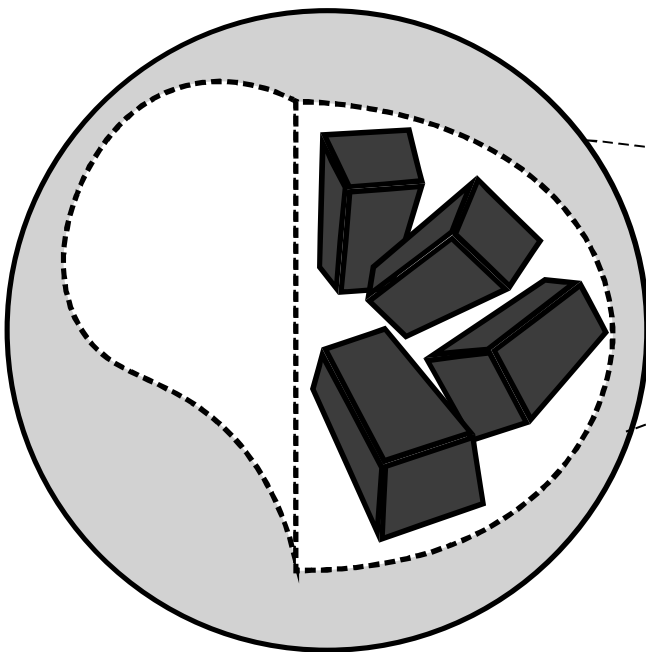
# Leg Assembly Instructions

Made in China

## How to Find Your Furniture Legs *Cómo encontrar las patas de su mueble*



Gently lay sofa/love seat on it's back  
*Coloque suavemente el sofá o el sofá de dos plazas sobre su respaldo*



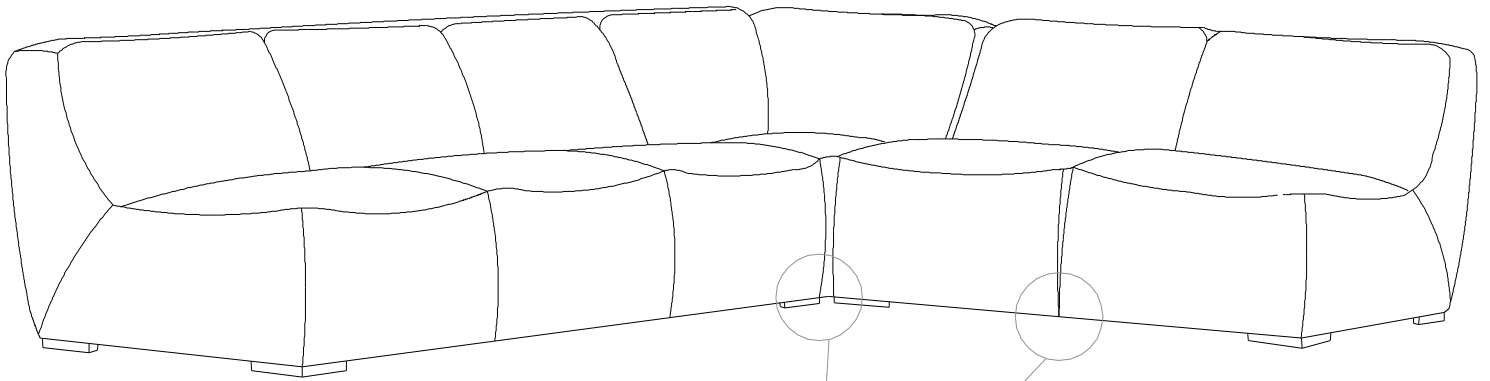
Locate the compartment underneath sofa/love seat  
*Encuentre el compartimento debajo del sofá*

Open compartment to locate upholstery legs and assembly instructions  
*Habrá el compartimento para localizara las patas del sofá y las instrucciones de asamblea*

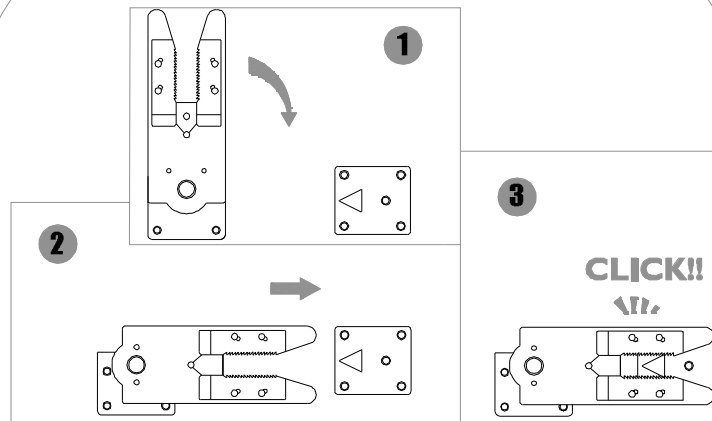


# Assemble Instructions

Made in China

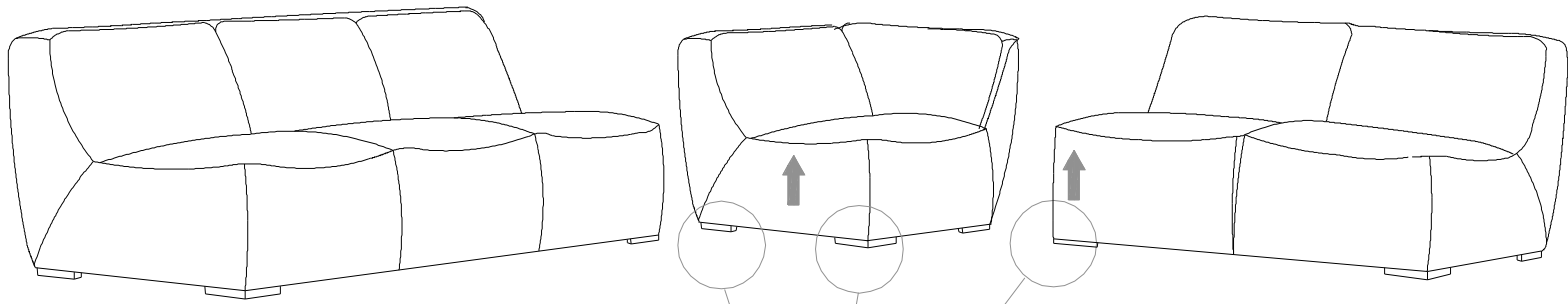


**Assembled with connections and other sofa together.**



# Disassemble Instructions

Made in China



**Facing sofa, lift up the right sofa to disassemble.**

