

# 7030-01250 KIT

For: 4720 Frame Rails/4721 Bunk Ends



(Scan for instructional video)

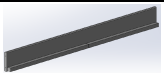
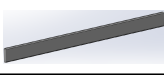





## Sedona Collection: High Sierra Bunk

### PARTS LIST

#### BOX 1: 4721 High Sierra Bunk Ends

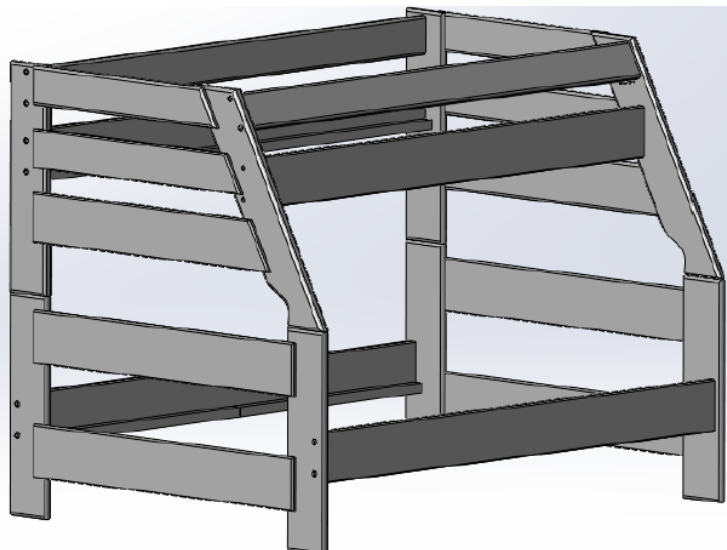
Part #	Picture	Description	Quantity
S1010END		High Sierra Bottom Bunk End	2
S1011END		High Sierra Top Bunk Left End	1
S1012END		High Sierra Top Bunk Right End	1

#### BOX 2: 4720 High Sierra Frame Rails

Part #	Picture	Description	Quantity
S1002SRL		5/4x8 Mattress Rail	4
560750001		5/4x6 Guard Rail	2
149383/40		Individual Twin Slat	3
140533/40		Individual Full Slat	3
FLDWL		3" Fluted Dowel	4
5040-43181		Hex Lag Bolt/Washer	24
5040-35410		#6 x 1 1/4" Phil Flat Slat Screw	20

Make sure you have all parts before beginning assembly. If you need a part, contact Living Spaces

### COMPLETED ASSEMBLY



## **TOOLS REQUIRED:**

- 1) 7/16" Wrench or Socket Wrench
- 2) Phillips Head Screwdriver

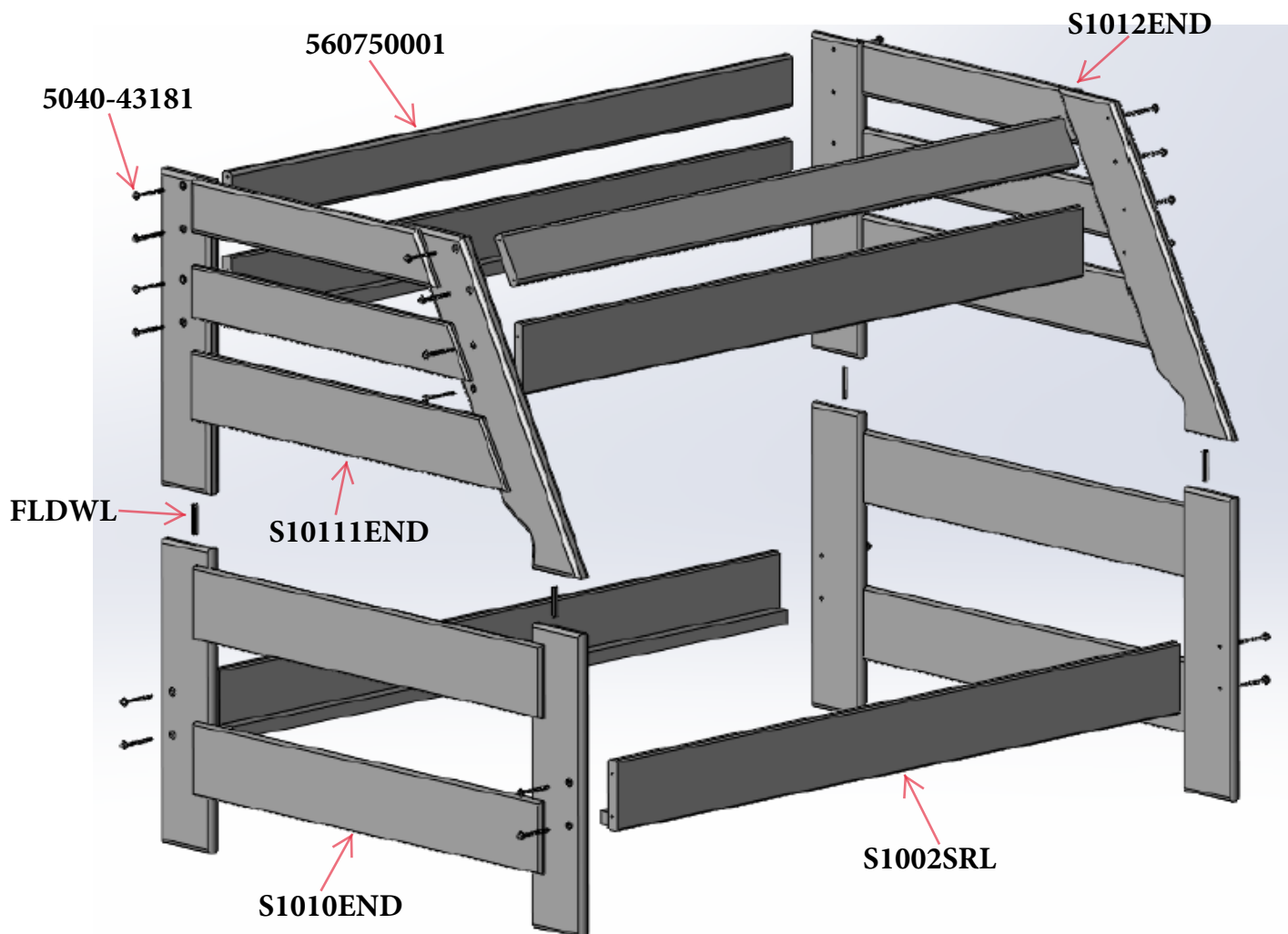
**NOTE:** Tool recommended: Electric driver with 7/16" socket

## **ASSEMBLY INSTRUCTIONS:**

### **NOTE:**

Make sure you have all parts before beginning assembly. If you need a part, contact the dealer where you purchased your bed.

- 1) Attach two mattress rails (S1002SRL) to two bottom end assemblies (S1010END) with 8 lag bolts and 8 washers (5040-43181), and tighten.
- 2) Attach two mattress rails (S1002SRL) and two guard rails (560750001) to left top end assembly (S1011END) and right top end assembly (S1012END) with 16 lag bolts and 16 washers (5040-43181), and tighten.
- 3) Place four wooden dowels (FLDWL) in the four holes in top edge of bottom bunk assembly.
- 4) Place the top bunk assembly on the bottom bunk assembly, ensuring that the dowels are inserted in holes in the top bunk assembly.
- 5) Place slat kit (purchased separately) and 3 individual slats (140533/40) in accordance with the diagram on the last page of these instructions. Attach the 5 designated slats to the mattress rail cleats using the #6x1 1/4" screws (5040-35410).



## **SAFETY WARNING**

Our Bunk Beds have been tested by an Independent Laboratory and are certified to be in compliance with: ASTM F-1427, "Standard Consumer Safety Specification for Bunk Beds" and U.S. Government specifications 16 Code of Federal Regulations, parts 1213 and 1513.

### **SAFETY WARNINGS**

1. Follow the information on the warnings attached to the upper bunk end structure and on the carton. Do not remove this label.
2. Always use the recommended size mattress or mattress support, or both, to help prevent the likelihood of entrapment or falls.
3. Surface of mattress must be at least five inches(127mm) below the upper edge of guardrails.
4. Do not allow children less than six years of age to use the upper bunk.
5. Periodically, check and ensure that the guardrail, ladder and other components are in their proper position, free from damage and that all connectors are tight.
6. Do not allow horseplay on or under the bed and prohibit jumping on the bed.
7. Prohibit more than one person on upper bunk.
8. Always use the ladder or bed end for entering and leaving the upper bunk.
9. Do not use substitute parts. Contact manufacturer or dealer for replacement parts.
10. Use of a night-light may provide added safety precautions for a child using the upper bunk.
11. If the bunk bed will be placed next to a wall, the guardrail that runs the full length of the bed should be placed against the wall to prevent entrapment between the bed and the wall. (This applies only to bunk beds without two full-length guardrails.)
12. Always use guardrails on both long sides of the upper bunk.
13. The use of water or sleep flotation mattress is prohibited.
14. Keep these instructions for future reference.

### **STRANGULATION HAZARD**

15. Never attach or hang items to any part of the bunk bed that are not designed for use with the bed for example, but not limited to hooks, belts and jump ropes.

### **SIZE OF UPPER AND LOWER MATTRESS AND FOUNDATION**

\* A FOUNDATION IS REQUIRED WITH 3 SLAT CONFIGURATION \*

Your Twin bed is designed to use a mattress 37"-39" in width and 74" - 75" in length.

Your Full bed is designed to use a mattress 52"-54" in width and 74" - 75" in length.

The total thickness of mattress and foundation (slat kit, bunk board, etc.) combined must not exceed 7".

Note: There must be at least 5" from mattress sleeping surface to top edge of guardrail.

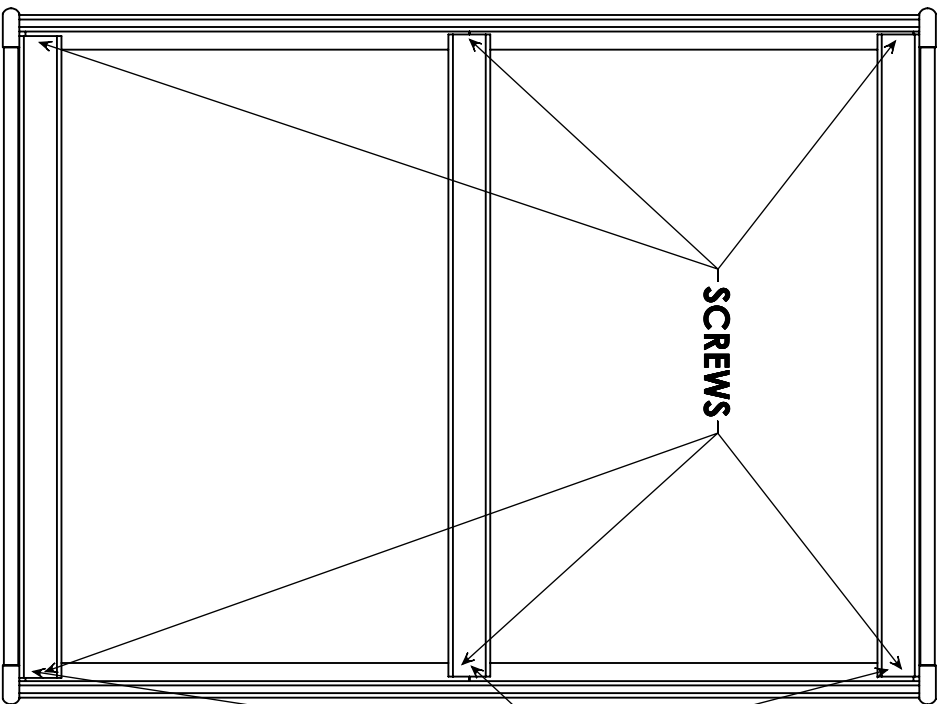
### **REPLACEMENT PARTS**

Replacement parts, including additional guardrails, may be obtained from your Furniture dealer.

Scan Code for Instructional video



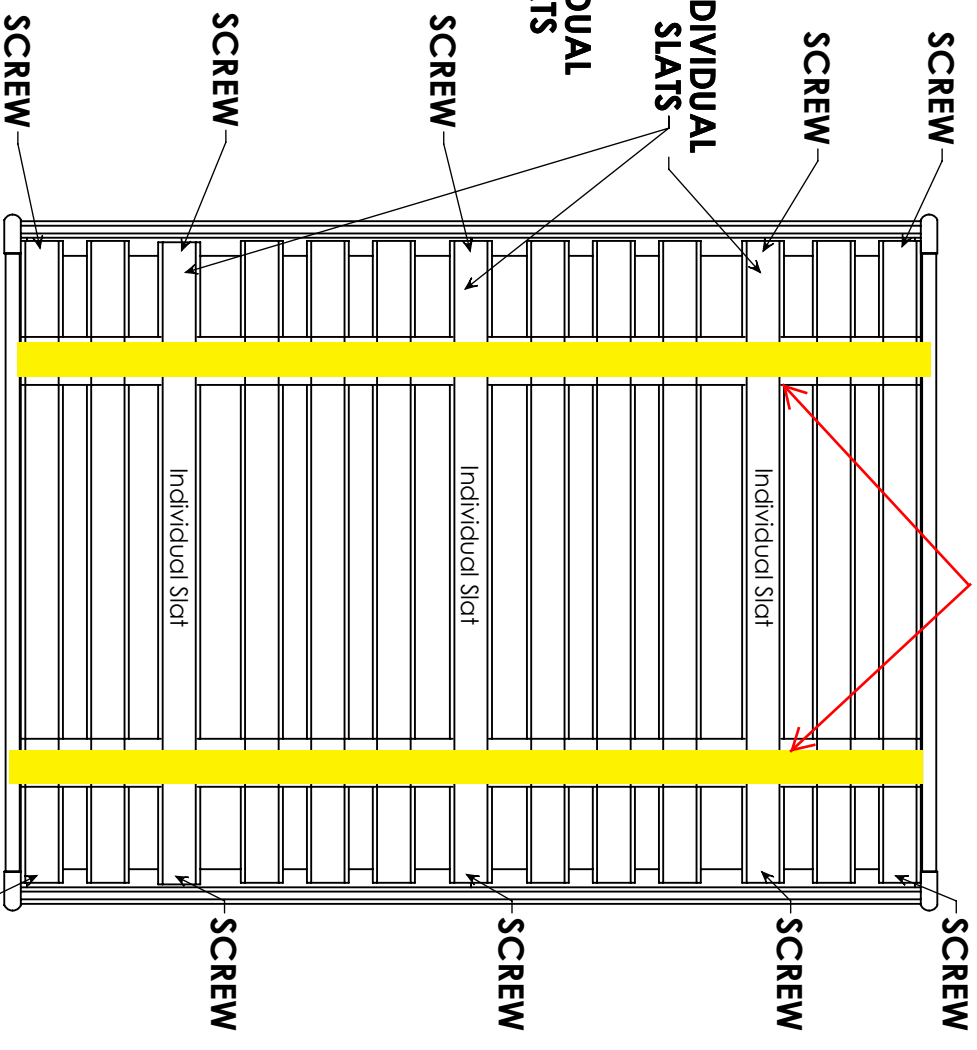
Diagram 1



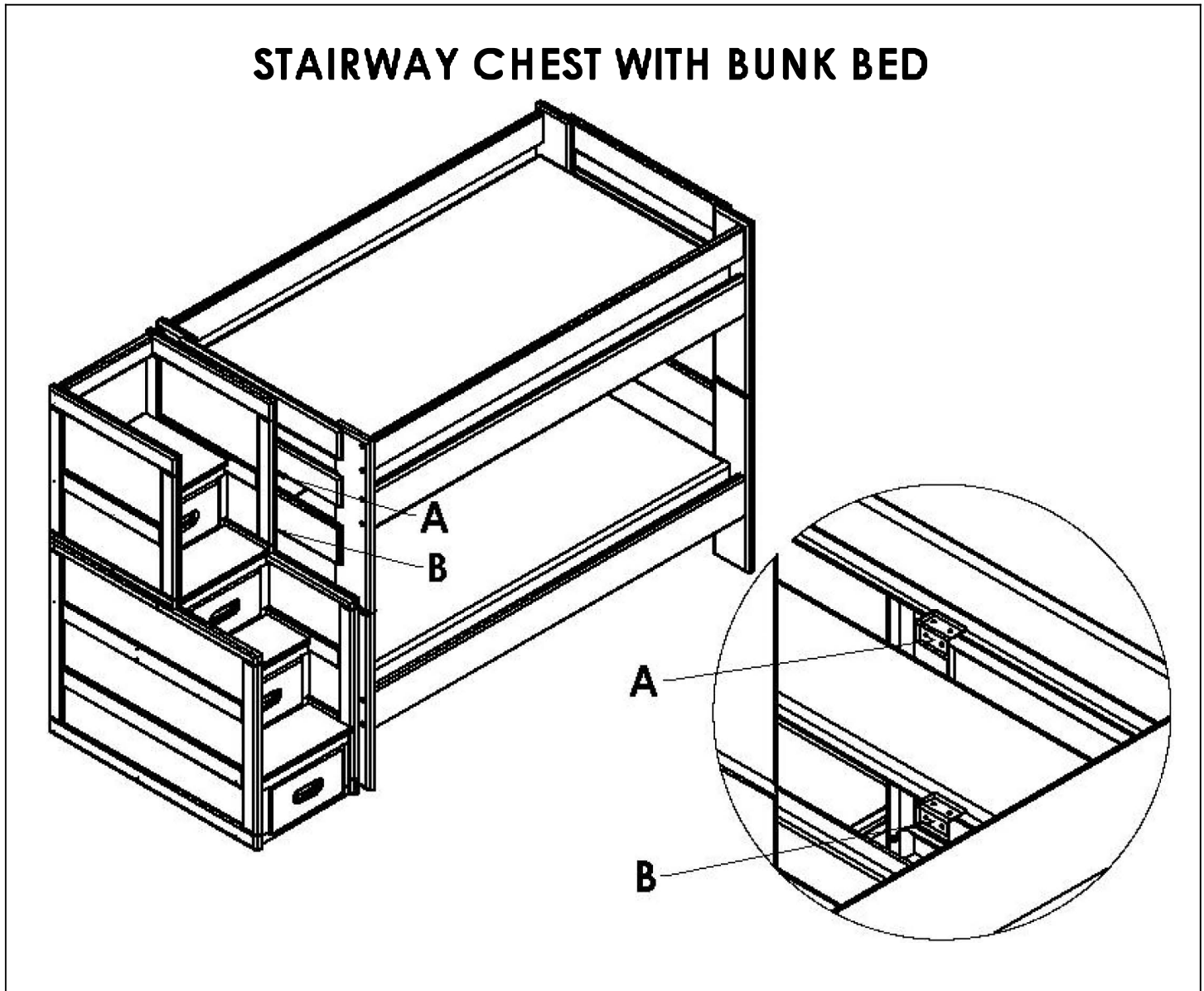
Installation of individual slats for use with Bunkie Board (Bunkie Board sold separately) See your retailer for purchase of Bunkie Board

When used with a slot roll, the three individual slats should be placed evenly in the gaps and underneath the strapping before fastening.

Diagram 2



Installation of individual slats for use with Slot Roll (Slot roll sold separately) See your retailer for purchase of Slot Roll



The stairway chest has been designed for use as a free standing unit. However for your convenience, if you desire to attach the stairs to your bunk bed we have included four 2" angle brackets. We recommend using these to attach the top center side vertical of the stairway unit to one or two of the end cross members or side rails of the bunk depending on how you position the stairway. The illustration above demonstrates how the top center vertical might align with the end cross members of a standard Bunk Bed.

**PARTS LIST:**

- A) 2-2" Angle Brackets
- B) 8-1 1/4" Philips pan head screws

**TOOLS REQUIRED:**

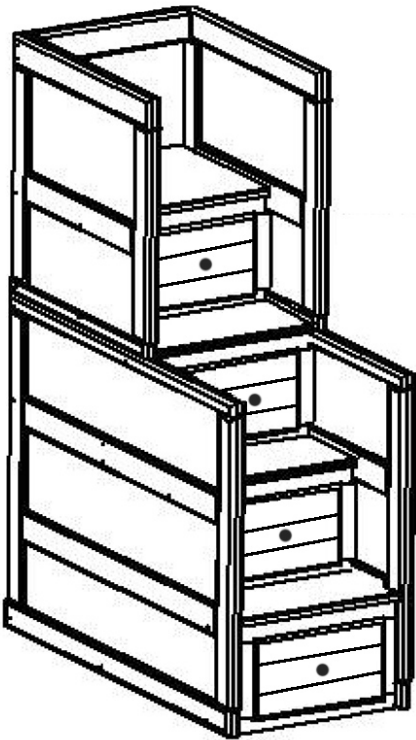
- 1) Phillips Head Screwdriver

**2 PERSONS AND 30 MINUTES**

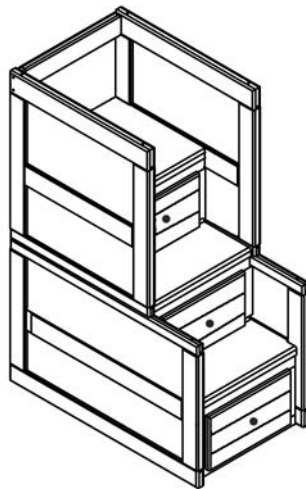


## 4453 / 4493 / 4676 STAIRWAY CHEST

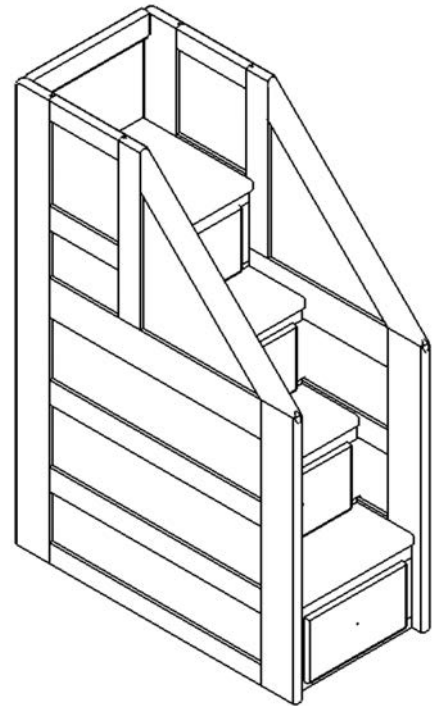
THE DRAWERS OF YOUR STAIRWAY CHEST HAVE BEEN SECURED FOR SHIPPING WITH SECURITY STRIPS. TO RELEASE THESE STRIPS PULL EACH DRAWER FIRMLY OUT UNTIL YOU FEEL THE STRIP RELEASE. EACH DRAWER WILL FUNCTION PROPERLY AFTER THE FIRST TIME YOU PULL THEM OUT. THERE IS NO NEED TO ATTEMPT TO REMOVE THE SAFETY STRIPS AS THEY WILL NOT INTERFERE WITH THE PROPER USE OF EACH DRAWER.



**4453**  
**Sedona**  
**Stairway Chest**



**4493**  
**Sedona**  
**Jr. Stairway Chest**



**4676**  
**Summit**  
**Stairway Chest**