

# 7030-01280 KIT

For: 4798 Frame Rails/4799 Caster Ends



(Scan for instructional video)

## Sedona Collection: Bronco Caster Bed

### PARTS LIST

#### BOX 1: 4799 Bronco Caster Ends

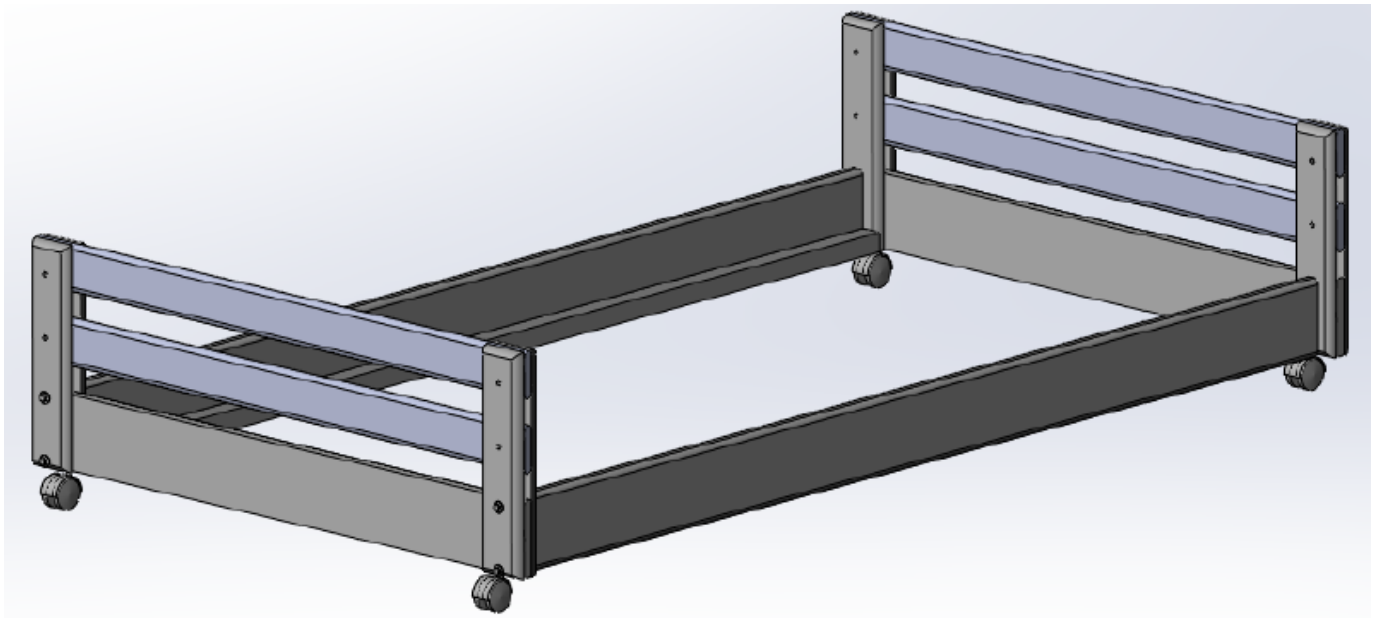
Part #	Picture	Description	Quantity
S0040END		Bronco Caster End Assembly	2
5045-65303		Caster Wheel	4
5045-65301		Caster Wheel Insert	4

#### BOX 2: 4798 Bronco Caster Frame

Part #	Picture	Description	Quantity
S1001SRL		5/4 x 6 x 75 Mattress Rail	2
149383/40		Twin Individual Slat	3
5040-43181		Hex Lag Bolt/Washer	8
5040-35410		#6 x 1 1/4 Phil Flat Slat Screw	10

**Make sure you have all parts before beginning assembly. If you need a part, contact Living Spaces**

## COMPLETED ASSEMBLY



## TOOLS REQUIRED:

- 1) 7/16" Wrench or Socket Wrench
- 2) Phillips Head Screwdriver

NOTE: Tool recommended: Electric driver with 7/16" socket

## ASSEMBLY INSTRUCTIONS:

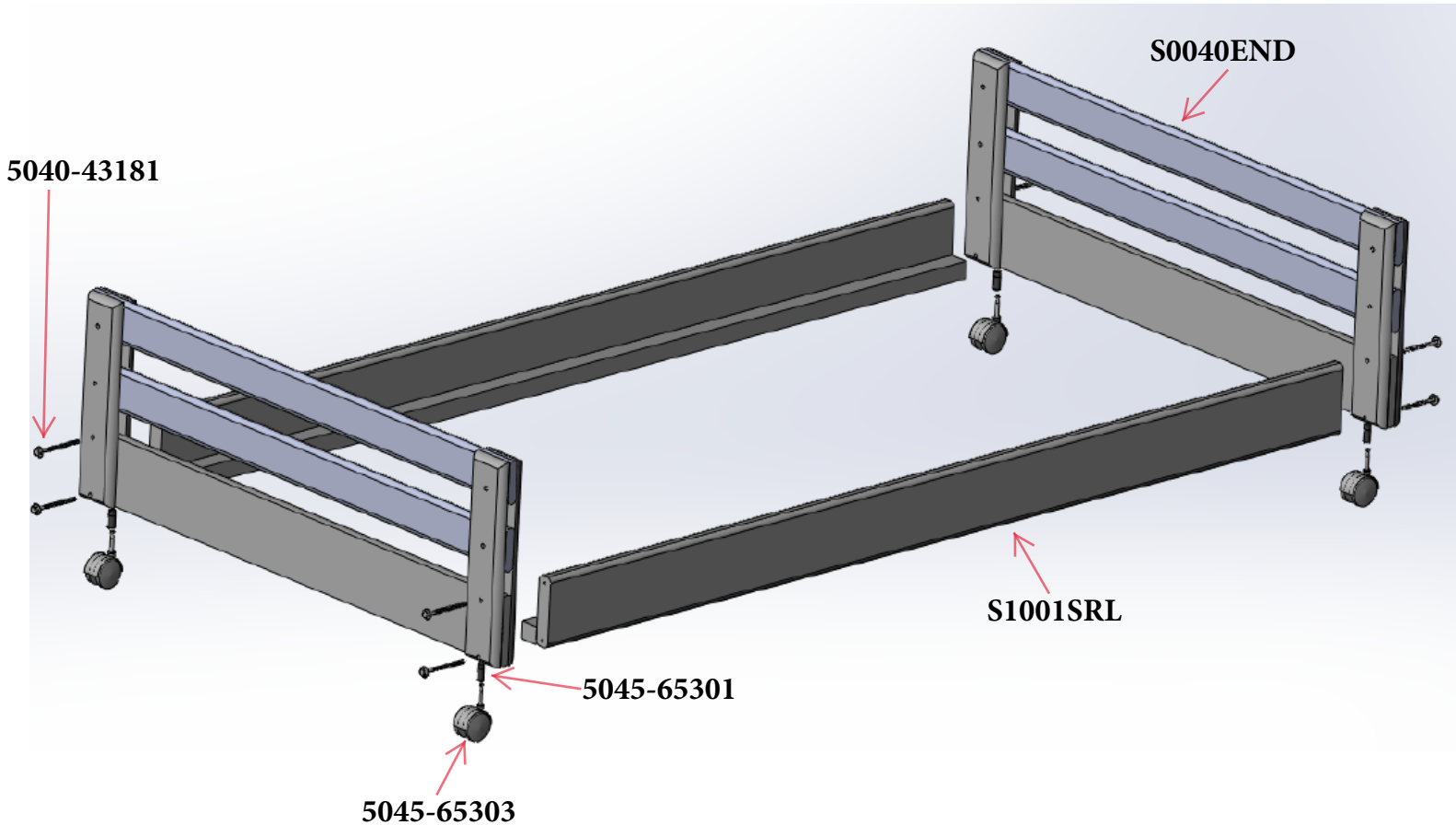
### NOTE:

Make sure you have all parts before beginning assembly. If you need a part, contact the dealer where you purchased your bed.

1) Attach two mattress rails (S1001SRL) to end assemblies(S0040END) with 8 lag bolts and 8 washers (5040-43181), and tighten. Use either the top set of holes or bottom set of holes depending on preference.

2) Attach the caster wheels (5045-65303) to the end assemblies using the pre-drilled holes on the bottom. Be sure to insert the caster wheel inserts (5045-65301) first, and then insert the caster wheel stems into the inserts pushing them in fully. *\*\*Attempting to drive the inserts in with the caster wheels attached may cause damage to the wheels\*\**

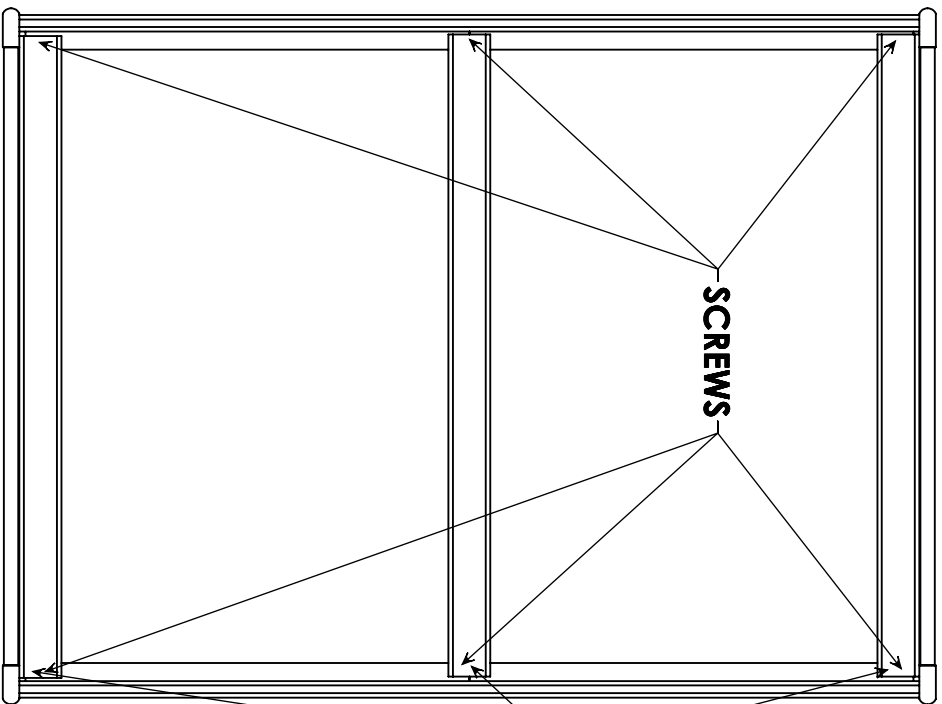
3) Place slat kit (purchased separately) and 3 individual slats (149383/40) in accordance with the diagram on the last page of these instructions. Attach the 5 designated slats to the mattress rail cleats using the #6x1 1/4" screws (5040-35410).



Scan Code for Instructional video



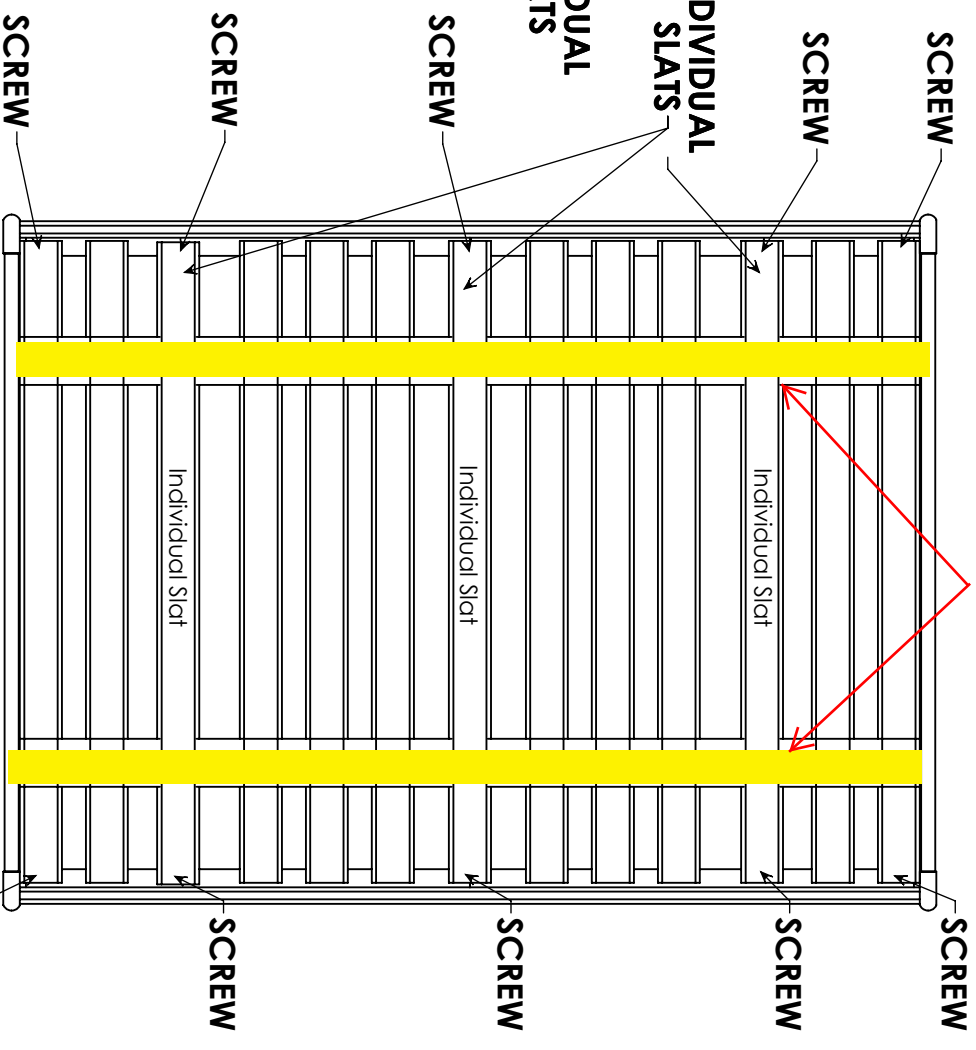
Diagram 1



Installation of individual slats for use with Bunkie Board (Bunkie Board sold separately) See your retailer for purchase of Bunkie Board

When used with a slot roll, the three individual slats should be placed evenly in the gaps and underneath the strapping before fastening.

Diagram 2



Installation of individual slats for use with Slot Roll (Slot roll sold separately) See your retailer for purchase of Slot Roll