





Assembly Instructions For


BDAVEHBFB MADISON WHITE HEADBOARD/FOOTBOARD
 DAYBED
 BDAVERS MADISON WHITE SIDERAILS DAYBED

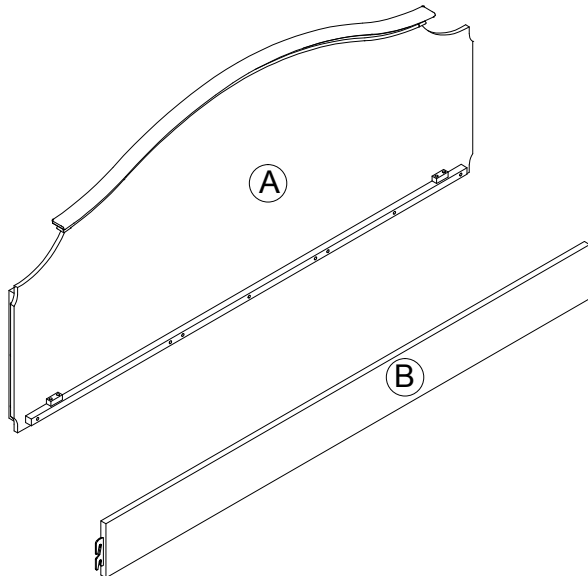
Thank you for purchasing this quality product. Be sure to check all packing materials carefully for small parts, which may have come loose inside the carton during shipment. Identify and count all parts and compare with the HARDWARE LIST below.

Caution : Please read instructions thoroughly before unpacking assembly parts.

1. We recommend that you should assemble this product with the assistance of another person; this will make assembly easier, and will help to eliminate damage to the product or injury to persons during assembly.
2. Please do not over tighten screws or bolts until the assembly is completed.
3. Please put all parts on a non - abrasive floor before assembly, and follow the assembly steps to assemble your newly purchased product correctly and efficiently.

NO.	PARTS LIST		Q'TY
A		Headboard	1
B		Footboard	1

TOOLS REQUIRED (NOT PROVIDED)	
PHILLIPS SCREWDRIVER	





LIVING SPACES

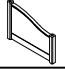
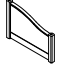


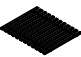
Assembly Instructions For




BDAVEHBFB MADISON WHITE HEADBOARD/FOOTBOARD
 DAYBED
 BDAVERS MADISON WHITE SIDERAILS DAYBED

Thank you for purchasing this quality product. Be sure to check all packing materials carefully for small parts, which may have come loose inside the carton during shipment. Identify and count all parts and compare with the **HARDWARE LIST** below.

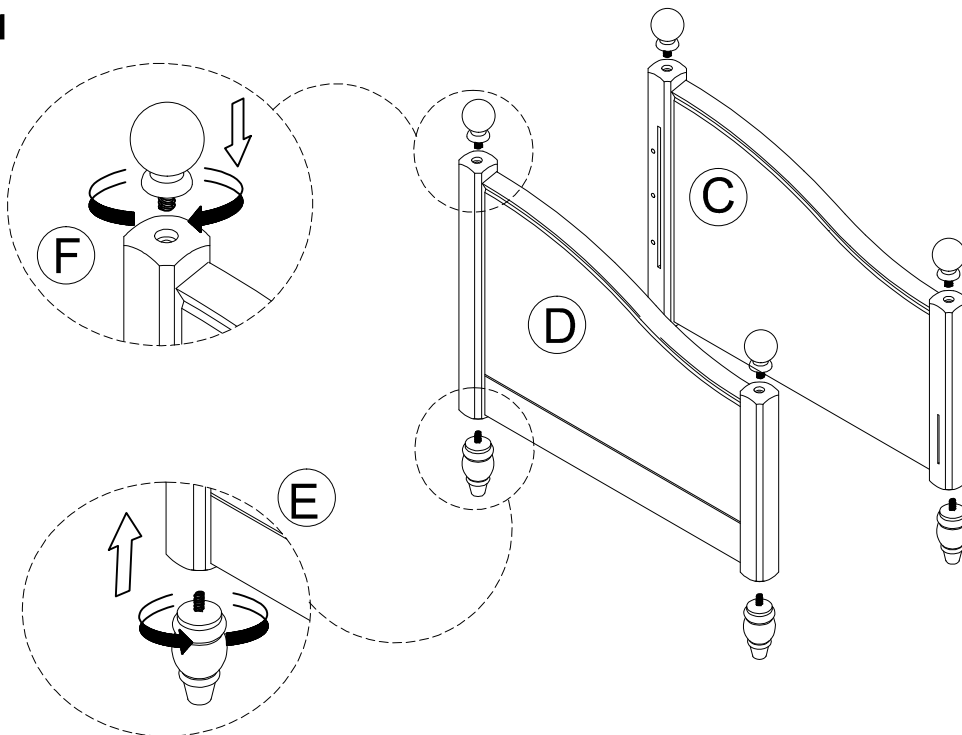
Caution : Please read instructions thoroughly before unpacking assembly parts.

1. We recommend that you should assemble this product with the assistance of another person; this will make assembly easier, and will help to eliminate damage to the product or injury to persons during assembly.
2. Please do not over tighten screws or bolts until the assembly is completed.
3. Please put all parts on a non - abrasive floor before assembly, and follow the assembly steps to assemble your newly purchased product correctly and efficiently.

NO.	PARTS LIST		Q'TY
C		Right Side Rail	1
D		Left Side Rail	1
E		Bun Feet	4
F		Finials	4
G		Slat Roll	1 Set

NO.	HARDWARE LIST		Q'TY
1		Ø5/16" x 50 Flat washer Ø9" x Ø22 x 2 Spring washer Ø9" x Ø13 x 2	6
		Allen wrench 4mm	1
2		Pan Head Screw Ø4 x 25	6

Step 1



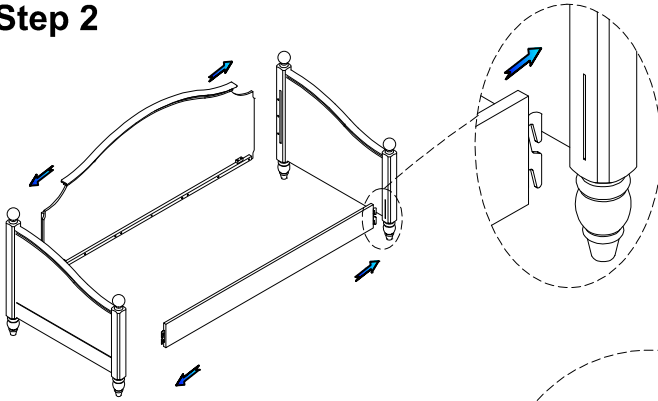
Made in VietNam



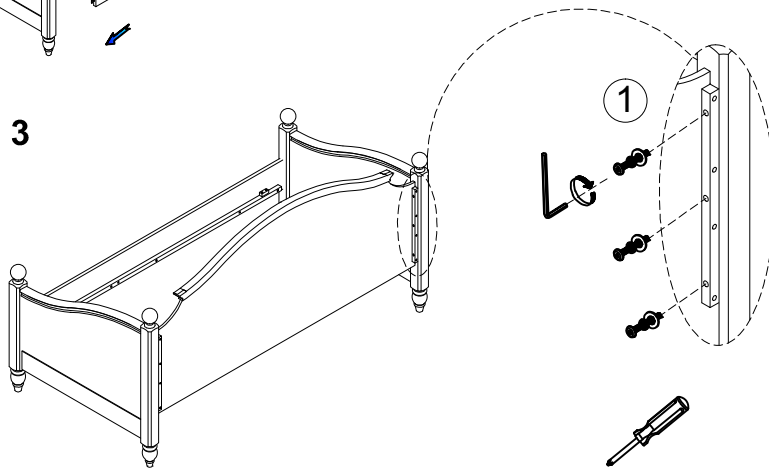
Assembly Instructions For

BDAVEHBFB MADISON WHITE HEADBOARD/FOOTBOARD
DAYBED
BDAVERS MADISON WHITE SIDERAILS DAYBED

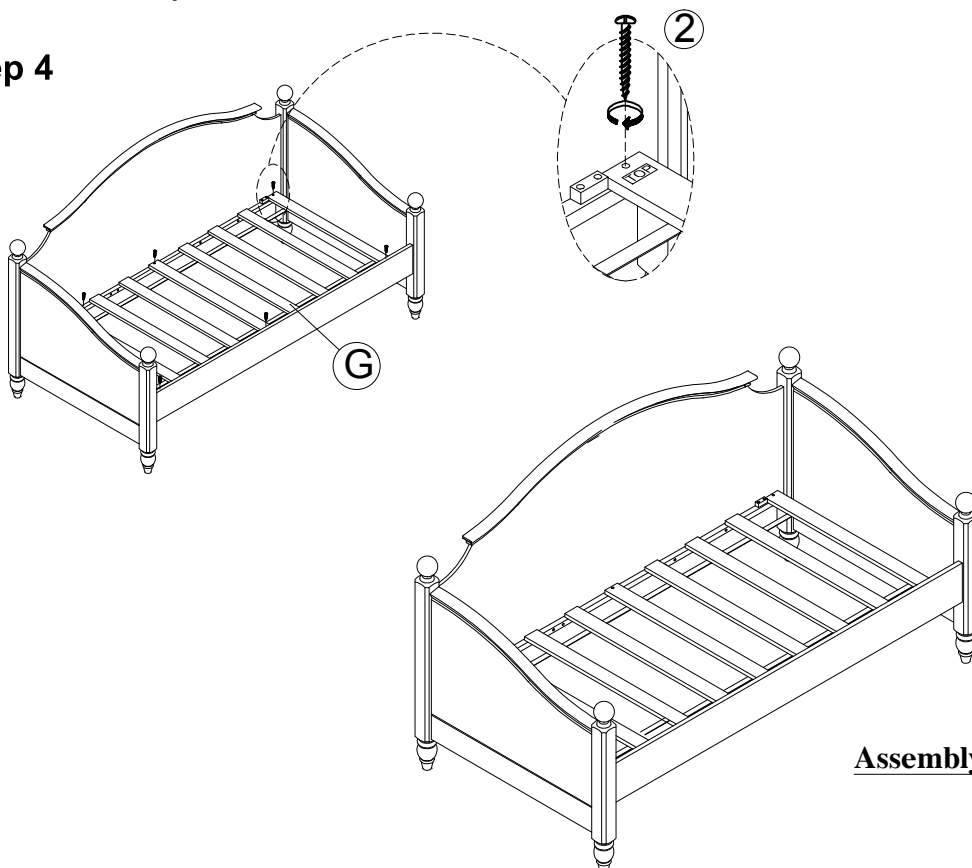
Step 2



Step 3



Step 4



Assembly Completed

Made in VietNam