



LIVING SPACES



Assembly Instructions For

BDAVEHBTW MADISON WHITE TW HEADBOARD SPINDLE
BDAVEHBTP MADISON PINK TW HEADBOARD SPINDLE

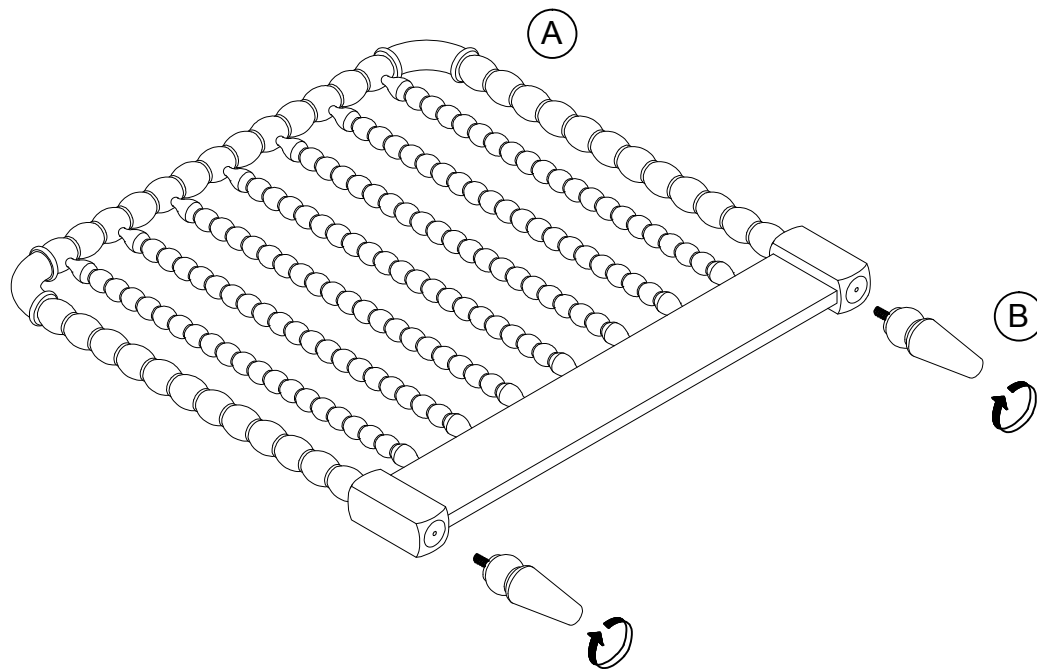
Thank you for purchasing this quality product. Be sure to check all packing materials carefully for small parts, which may have come loose inside the carton during shipment. Identify and count all parts and compare with the **HARDWARE LIST** below.

Caution : Please read instructions thoroughly before unpacking assembly parts.

1. We recommend that you should assemble this product with the assistance of another person; this will make assembly easier, and will help to eliminate damage to the product or injury to persons during assembly.
2. Please do not over tighten screws or bolts until the assembly is completed.
3. Please put all parts on a non - abrasive floor before assembly, and follow the assembly steps to assemble your newly purchased product correctly and efficiently.

NO.	PARTS LIST		Q'TY
A		Headboard	1
B		Bun Feet	2

Step 1



Made in Vietnam



LIVING SPACES

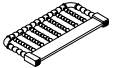

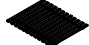
Assembly Instructions For


BDAVETBSFW MADISON WHITE TW FOOTBOARD SPINDLE
BDAVETBSFP MADISON PINK TW FOOTBOARD SPINDLE

Thank you for purchasing this quality product. Be sure to check all packing materials carefully for small parts, which may have come loose inside the carton during shipment. Identify and count all parts and compare with the **HARDWARE LIST** below.

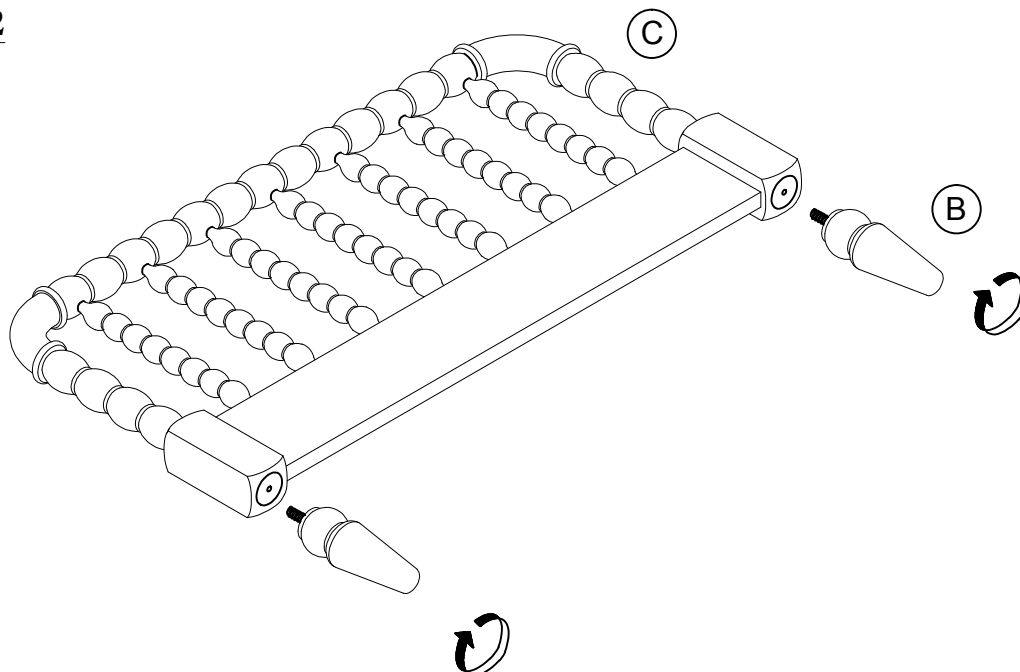
Caution : Please read instructions thoroughly before unpacking assembly parts.

1. We recommend that you should assemble this product with the assistance of another person; this will make assembly easier, and will help to eliminate damage to the product or injury to persons during assembly.
2. Please do not over tighten screws or bolts until the assembly is completed.
3. Please put all parts on a non - abrasive floor before assembly, and follow the assembly steps to assemble your newly purchased product correctly and efficiently.

NO.	PARTS LIST		Q'TY
C		Footboard	1
B		Bun Feet	2
D		Slat Roll	1 Set

TOOLS REQUIRED (NOT PROVIDED)	
PHILLIPS SCREWDRIVER	

Step 2



Made in Vietnam







LIVING SPACES

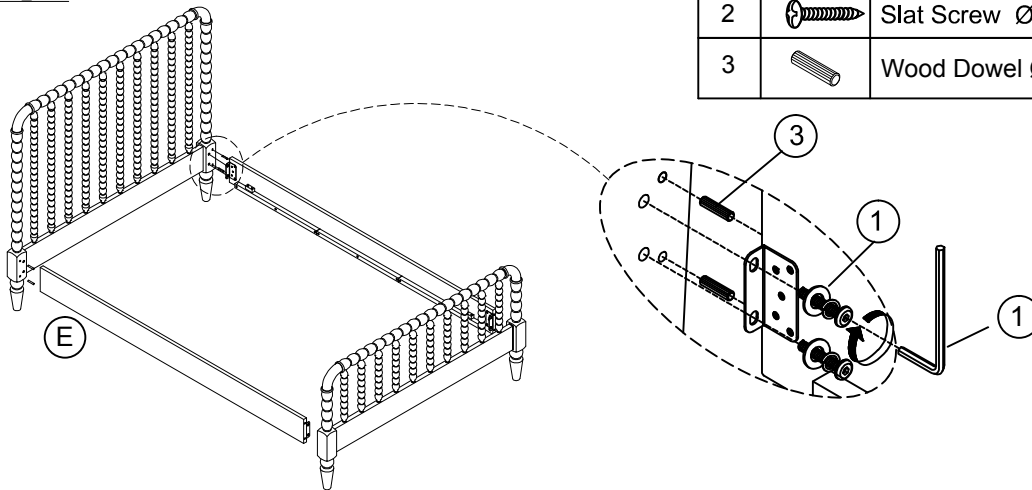
Assembly Instructions For

BDAVEHBTW MADISON WHITE TW HEADBOARD SPINDLE
 BDAVETBSFW MADISON WHITE TW FOOTBOARD SPINDLE
 BDAVERSFTS MADISON WHITE TW/FL RAILS SPINDLE BED
 BDAVEHBTP MADISON PINK TW HEADBOARD SPINDLE
 BDAVETBSFP MADISON PINK TW FOOTBOARD SPINDLE
 BDAVERSFTSP MADISON PINK TW/FL RAILS SPINDLE BED

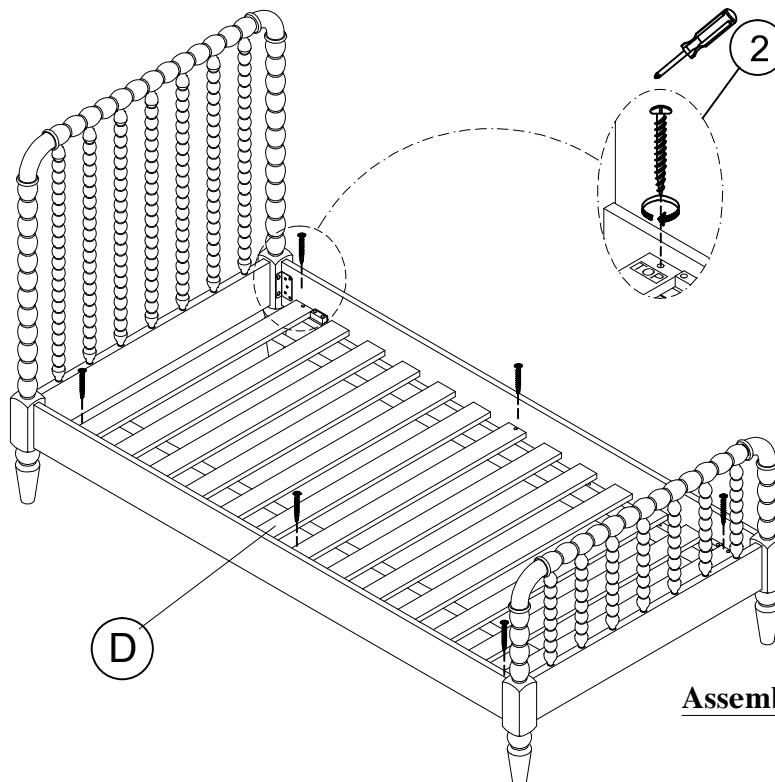
NO.	PARTS LIST		Q'TY
E		Rails	2

NO.	HARDWARE LIST		Q'TY
1		Ø5/16" x 25 Flat washer Ø9" x Ø22 x 1.5 Spring washer Ø9" x Ø13 x 1.5	8
		Allen wrench 4mm	1
		Slat Screw Ø4 x 25	6
3		Wood Dowel Ø8 x 30	8

Step 3



Step 4



Assembly Completed

Made in VietNam