

KORO LOUNGE CHAIR

17C258A-W

Assembly Instruction

Parts List :

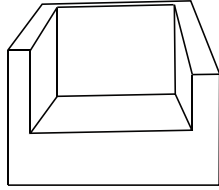
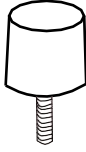
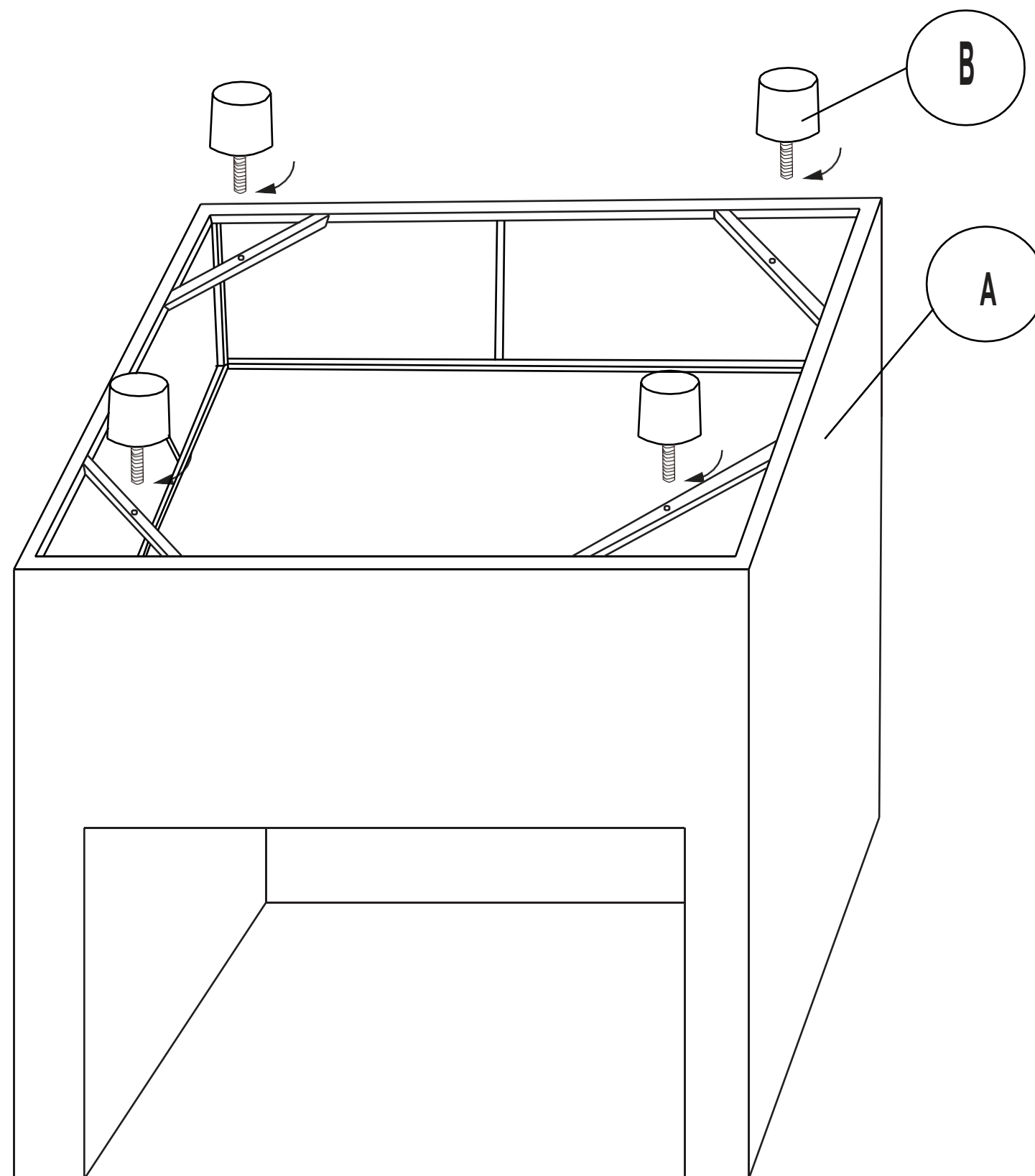
REF	PART NAME	PART IMAGE	QTY	REF	PART NAME	PART IMAGE	QTY
A	SEAT		1	B	LEG		4

Diagram:



Assembly Steps:

Step 1: Remove protective wrapping and lay all parts on floor. Make sure all parts packed in Carton against attached parts list to make sure all parts are presented.

Step 2: Place a protective soft Material on floor. Lay seat (A) upside down on floor, the bottom is facing up.

Step 3: Then attach Leg (B) to the bottom as shown in Diagram.

NOTE: IT IS USER'S RESPONSIBILITY TO MAKE SURE ALL PARTS ARE ASSEMBLED AND TIGHTENED PROPERLY AND SECURELY.